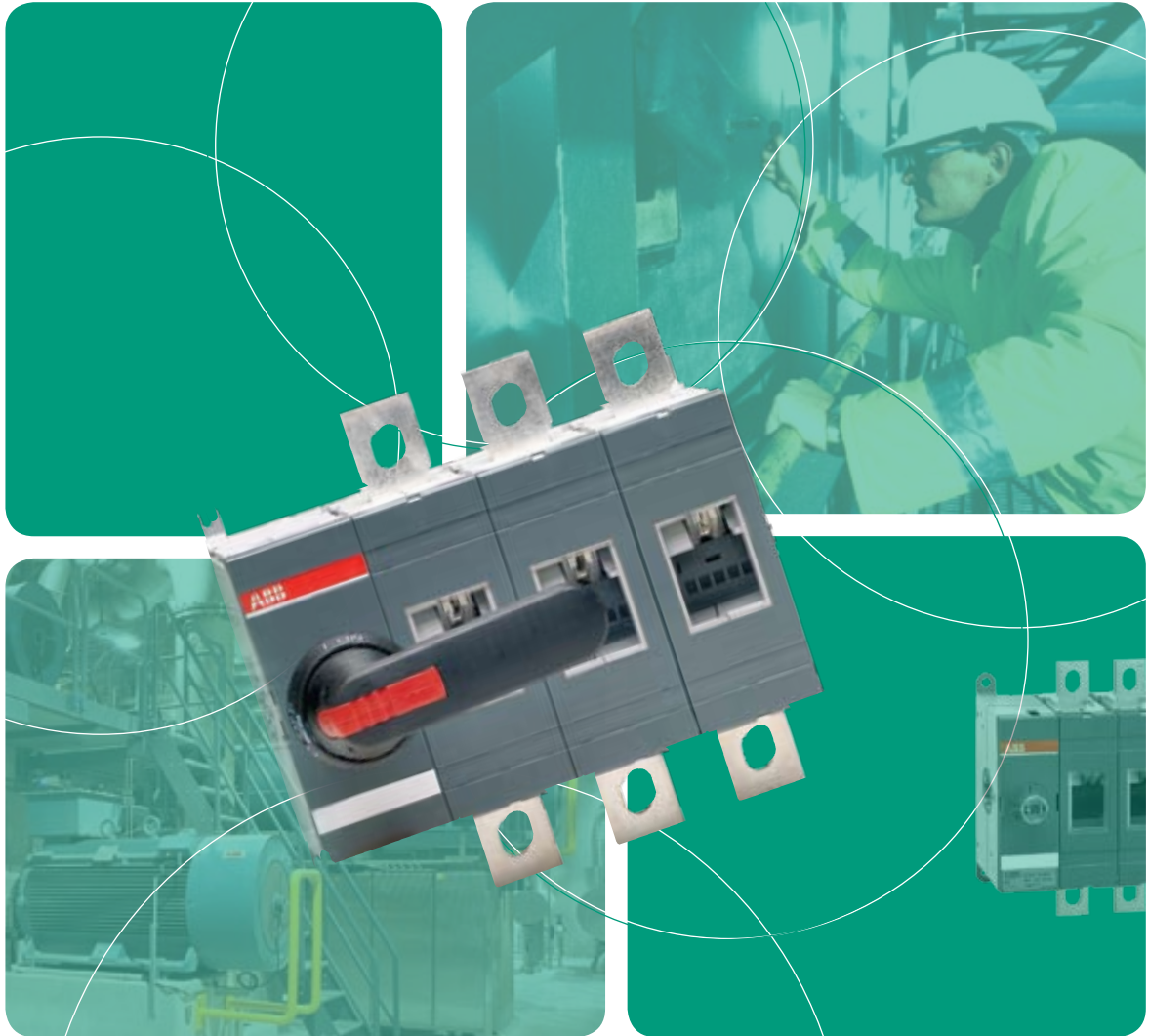


Low Voltage Products

Switches

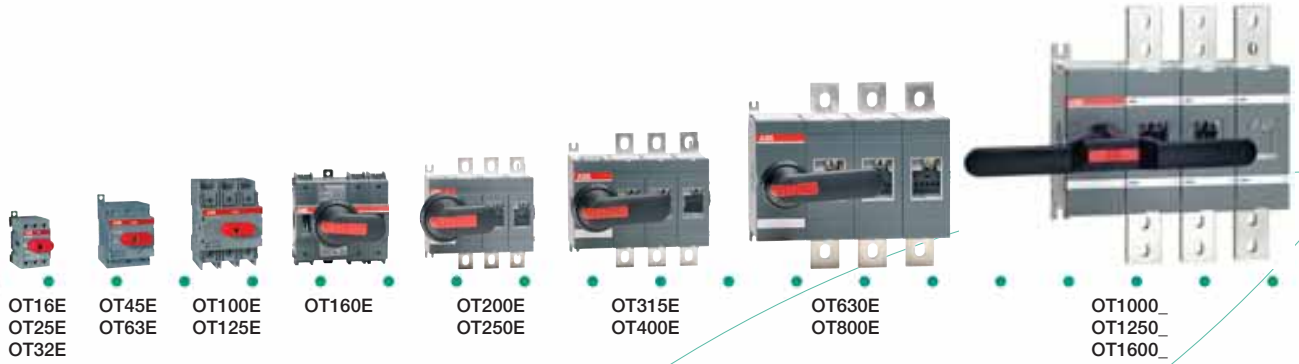
Switch-disconnectors OT and OETL





16...3150 Amperes Switch-disconnectors

IEC

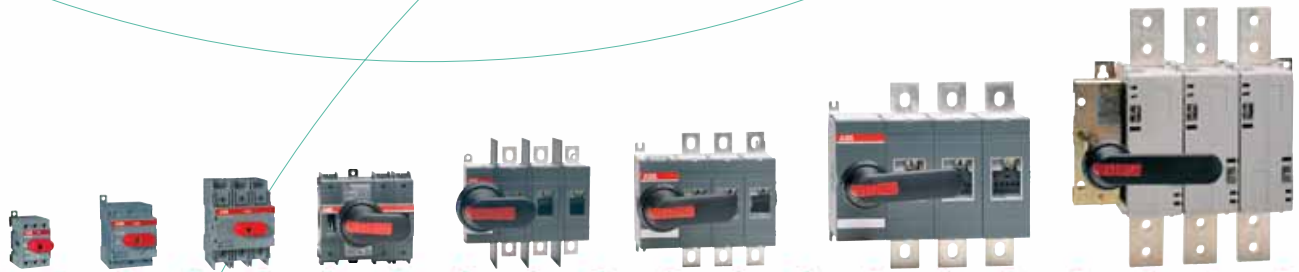


Ith /A
 Ie /AC22A, ≤ 415V
 Ie /AC23A, ≤ 415V

Model	Ith /A	Ie /AC22A, ≤ 415V	Ie /AC23A, ≤ 415V
OT16E	25	16	16
OT25E	32	25	20
OT32E	40	40	23
OT45E	63	63	45
OT63E	80	80	75
OT100E	115	100	80
OT125E	125	125	90
OT160E	200	160	135
OT200E	200	200	200
OT250E	250	250	250
OT315E	315	315	315
OT400E	400	400	400
OT630E	630	630	630
OT800E	800	800	800
OT1000_	E-range 1000	1000	1000
OT1250_	E-range 1250	1250	1250
OT1600_	E-range 1600	1600	1600
	X-range 1000	1000	1000
	X-range 1250	1250	1250
	X-range 1600	1600	1250

UL / CSA

Ampere rating/A



Model	Ampere rating/A
OT16E	16
OT25E	25
OT32E	40
OT45E	60
OT63E	80
OT30E	30
OT60E	60
OT100E	100
OT160E	125
OT200U	200
OT400U	400
OT600U	600
OETL-NF800A	800
OETL-NF1200	1200



Accessories

- Optional handles
- Extended shafts
- Legend plates
- Auxiliary contacts
- Fourth poles
- N & PE terminals

- Terminal shrouds
- Connecting accessories
- Conversion kits
- Locking accessories
- Motor operators

ectors



Switch-disconnectors

OT 16...1600

OETL 2500...3150



OETL3150K

OETL2500K

2500 3150
1600



OETL-NF1600
OETL-NF2000

1600 2000

Contents:

Features	4-5
Technical data	6-14
Ordering information	15-41
Switch-disconnectors, base and DIN-rail mounting	15
Switch-disconnectors, base mounting	16-18
Switch-disconnectors, door mounting, side operated, earthing switches	19
UL/CSA Non-fusible disconnect switches.....	20
Accessories, selection overview	22-23
Optional handles	24-28
Legend plates and handle accessories	29
Extended shafts and shaft accessories	30-31
Auxiliary contacts.....	32-33
Fourth poles, neutral and earth terminals, neutral links	34
Terminal shrouds	35
Connecting accessories	36-37
Conversion kits.....	38-39
Locking and mounting accessories and motor operator	40
Electrical interlock.....	41
Dimension drawings	42-60
Contact functions	61-62
Index	63-67

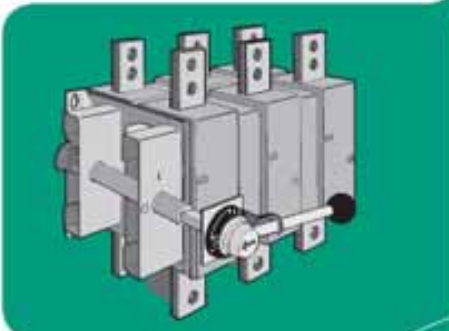


Enhanced range of switch-disconnectors

From 16 to 3150 A, 690 V

The switch-disconnectors are suitable for diverse applications, in motor control centers, in switchboards and as main switches in various equipments and machines. From single to 8-poles front operated switches with pistol handle or direct mounted handle. For installation in enclosures, side operated switches, switches with wide phase distance and combination switches for change-over, bypass, reversing etc.

- Mountable on DIN rails or base plates and on the door, both by snap-on and screw fitting
- Snap-on mounting of accessories



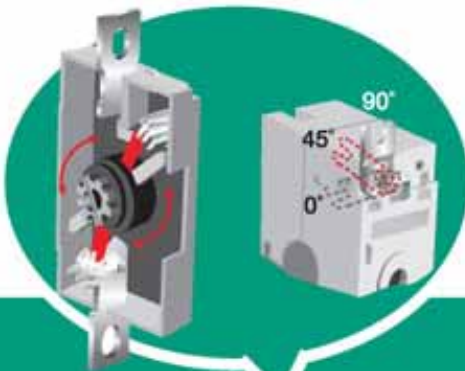
The most compact disconnect (isolation) solution



Optimally designed, the OT switch-disconnector offers an advanced and compact solution, providing you with added value.

- The new double-sided spring construction in combination with fewer components made an innovative and compact design of the operation mechanism possible.
- The uniquely short current path enabled a small-sized contact construction.

High performance despite the small size



The powerful new construction, with its quick-make and quick-break operation features and two contact points instead of one, adds value to and enhances the performance of the switch-disconnectors.

- The OT range offers you improved power ratings, the highest on the market. Full I_{th} ratings can be used both in open air and in enclosures, without having to derate or enlarge the box.
- User-friendly and flexible, the OT switch-disconnector provides you with full AC-23A current ratings for all the voltages, even up to 690 V.



The OT switch-disconnector is easy to use and a snap to install according to your choice: horizontally or vertically - even in the ceiling! The adjustable mounting feet allow both top and side mounting of the switch. ABB's switch-disconnector range meets disconnect and isolation requirements more effectively than ever, maximizing the benefits and optimizing your use of assets.



Switch-disconnectors OT 16...160

Technical data

Technical data according to IEC 60947-3

		Size Switch type	A	16 OT16_	25 OT25_		
Rated insulation voltage and rated operational voltage AC20/DC20 Dielectric strength Rated impulse withstand voltage	Pollution degree 3	50 Hz 1min.	V	750	750		
			kV	6	6		
			kV	8	8		
Rated thermal current and rated operational current AC20/DC20 ..with minimum conductor cross section	ambient 40°C ambient 40°C ambient 60°C	In open air In enclosure In enclosure Cu	A	25	32		
			A	25	32		
			A	20	25		
			mm ²	4	6		
Rated operational current, AC-21A		up to 415 V 440 - 690 V	A A	16 16	25 25		
Rated operational current, AC-22A		up to 415 V 440 - 500 V 690 V	A A A	16 16 16	25 25 25		
Rated operational current, AC-23A		up to 415 V 440 V 500 V 690 V	A A A A	16 16 16 10	20 20 20 11		
Rated operational current / poles in series, DC-21A		up to 48 V ¹⁾ 110 V 220 V 440 V 500 V 750 V	A	16/1	25/1		
			A	16/2	25/2		
			A	16/3	25/3		
			A	16/4	25/4		
			A	16/4	25/4		
			A	16/8	25/8		
Rated operational current / poles in series, DC-22A		up to 48 V ¹⁾ 110 V 220 V 440 V 750 V	A	16/1	25/1		
			A	16/2	25/2		
			A	16/3	25/3		
			A	10/4	10/4		
			A	16/8	25/8		
			A	16/8	25/8		
Rated operational current / poles in series, DC-23A		up to 48 V ¹⁾ 110 V 220 V 440 V 750 V	A	16/1	25/1		
			A	16/2	25/2		
			A	16/4	25/4		
			A	10/4	10/4		
			A	16/8	25/8		
			A	16/8	25/8		
Rated operational power, AC-23A (These values are given for guidance and may vary acc. to the motor manufacturer)		220-240 V 400-415 V 440 V 500 V 690 V	kW	3	4		
			kW	7.5	9		
			kW	7.5	9		
			kW	7.5	9		
			kW	7.5	9		
			kW	7.5	9		
Rated breaking capacity, AC-23A		up to 415 V 440 V 500 V 690 V	A	128	160		
			A	128	160		
			A	128	160		
			A	80	88		
			A	80	88		
Rated breaking capacity/poles in series, DC-23A		up to 48 V 110 V 220 V 440 V 750 V	A	64/1	100/1		
			A	64/2	100/2		
			A	64/3	100/4		
			A	40/4	40/4		
			A	64/8	64/8		
			A	64/8	64/8		
Rated conditional short-circuit current I _p (r.m.s.) and corresponding max. allowed cut-off current I _c	I _p (r.m.s.) Max. OFA ₁ fuse size gG/aM	50 kA ≤ 415 V	kA	6.5	6.5		
			A	40/32	40/32		
			I _p (r.m.s.) Max. OFA ₂ fuse size gG/aM	100 kA ≤ 500 V	kA A		
			I _p (r.m.s.) Max. OFA ₃ fuse size gG/aM	10 kA ≤ 690 V	kA A		
The cut-off current I _c refers to values listed by fuse manufacturers (single phase test acc. to IEC60269)	I _c (r.m.s.) Max. OFA ₁ fuse size gG/aM	50 kA ≤ 690 V	kA	4	4		
			A	25/16	25/16		
			I _c (r.m.s.) Max. OFA ₂ fuse size gG/aM	50 kA ≤ 690 V	kA A		
			I _c (r.m.s.) Max. OFA ₃ fuse size gG/aM	50 kA ≤ 690 V	kA A		
Rated short-time withstand current	r.m.s. -value I _{cw} r.m.s. -value I _{cw} Peak value I _{cm}	690V, 0.25 s 690V, 1s 690V/500V	kA kA kA	0.5 0.5 0.705	0.5 0.5 0.705		
Rated capacitor power (The capacitor ratings are limited by the fuse link.)		400 - 415 V	kVAr		10		
Power loss / pole	At rated operational current		W	0.3	0.6		
Mechanical endurance	Divide by two for operation cycles		Oper.	20 000	20 000		
Weight without accessories	3-pole 4-pole		kg	0.11	0.11		
			kg	0.15	0.15		
Cable size	Cu-wire size suitable for terminal clamps		mm ²	0.75-10	0.75-10		
			AWG	18-8	18-8		
Terminal tightening torque	Counter torque required		Nm	0.8	0.8		
Operating torque	3-pole switch-disconnector		Nm	1	1		

¹⁾ Below 48 V, two poles in parallel up to OT 63 are recommended particularly in polluted atmosphere

²⁾ 200A/min. 95 mm², use busbar connections OEZXX6/13 or OZXT2



Switch-disconnectors OT 16...160

Technical data

40 OT32_	63 OT45_	80 OT63_	100 OT100_	125 OT125_	160 OT160_
750 6 8	750 6 8	750 6 8	750 6 8	750 6 8	750 10 12
40 40 32 10	63 63 50 16	80 80 63 25	115 115 80 35	125 125 100 50	200 160 125 70
40 40	63 63	80 80	100 100	125 125	200 ²⁾ 160
40 40 40	63 63 63	80 80 80	100 100 100	125 125 125	200 ²⁾ 160 160
23 23 23 12	45 45 45 20	75 65 58 20	80 65 60 40	90 78 70 50	135 125 125 80
32/1 32/2 32/3 16/4 16/4 32/8	63/1 63/2 63/4 16/4 16/4	80/1 80/2 80/4 16/4 16/4	100/1 100/2 100/4	125/1 125/2 125/4	160/1 160/1 160/2 160/3 125/3 160/4
32/1 32/2 32/4 10/4 25/8	63/1 63/2 45/4 10/4	80/1 80/2 45/4 10/4	100/1 100/2 63/4	125/1 125/2 80/4	160/1 160/1 160/2 160/3
32/1 32/2 32/4 10/4 16/8	63/1 63/2 45/4 10/4	80/1 80/2 45/4 10/4	100/1 100/2 63/4	125/1 125/2 63/4	160/1 160/1 160/2 160/3
5.5 11 11 11 11	11 22 22 22 15	22 37 37 37 18.5	22 37 37 37 37	22 45 45 45 45	45 75 75 75 75
184 184 184 96	360 360 360 160	640 448 464 160	640 520 480 320	720 624 560 400	1 080 1 000 1 000 640
128/1 128/2 128/4 40/4 64/8	180/1 180/2 180/4 40/4	252/1 252/2 180/4 40/4	400/1 400/2 252/4	500/1 500/2 252/4	640/1 640/1 640/2 640/3
6.5 40/32	13 100/80	13 100/80	16.5 125/125	16.5 125/125	
	17 100/80	17 100/80			30 200/250
			8.2 125/100	8.2 125/100	
4 25/16	11 80/63	11 80/63	10 63/63	10 63/63	24 200/250
0.5 0.705	1 1.4	1.5 2.1	2.5 3.6	2.5 3.6	7 4 12
15 1.6 20 000	25 2.8 20 000	30 4.5 20 000	40 4.0 20 000	50 6.3 20 000	6.5 20 000
0.11 0.15	0.27 0.35	0.27 0.35	0.36 0.50	0.36 0.50	1.1 1.3
0.75-10 18-8	1.5-35 14-4	1.5-35 14-4	10-70 8-00	10-70 8-00	10-70 8-00
0.8 1	2 1.2	2 1.2	6 2	6 2	6 6



Switch-disconnectors OT 200..800

Technical data

Technical data according to IEC 60947-3

		Size	Switch type	A
Rated insulation voltage and rated operational voltage AC-20, DC-20	Pollution degree 3			V
Dielectric strength			50 Hz 1min.	kV
Rated impulse withstand voltage				kV
Rated thermal current and rated operational current AC-20, DC-20 in ambient 40 °C	In open air In enclosure			A
...with minimum cable cross section		Cu		A
Rated operational current, AC-21A			≤ 500 V 690 V 1000 V	A A A
Rated operational current, AC-22A			≤ 500 V 690 V 1000 V	A A A
Rated operational current, AC-23A			≤ 500 V 690 V 1000 V	A A A
Rated operational current / poles in series, DC-21A...23A ¹⁾			≤ 110 V 220 V 440 V 660 V	A A A A
Rated operational power, AC-23 ³⁾			230 V 400 V 415 V 500 V 690 V	kW kW kW kW kW
Rated breaking capacity in category AC-23			≤ 500 V 690 V	A A
Rated conditional short-circuit current I_p (r.m.s.) and corresponding max. allowed cut-off current i_c	I_p (r.m.s.) Max. OFA_ fuse size		100 kA, 500 V gG/aM	kA A
The cut-off current i_c refers to values listed by fuse manufacturers (single phase test acc. to IEC60269).	I_p (r.m.s.) Max. OFA_ fuse size		80 kA, 690 V gG/aM	kA A
Rated short-time withstand current	r.m.s. value I_{cw}		690 V 0,15s 690 V 0,25s 690 V 1s	kA kA kA
Rated short-time making capacity	Peak value I_{cm}		690 V	kA
Power loss / pole	With rated current			W
Mechanical endurance	Divide by two for oper. cycles			Oper.
Weight without accessories	3-pole switch			kg
Terminal bolt size	Metric thread diameter x length			mm
Terminal tightening torque	Counter torque required			Nm
Operating torque	3-pole switch disconnecter			Nm

¹⁾ Further ratings on request

²⁾ Category B

³⁾ These values are given for guidance and may vary acc. to the motor manufacturer.

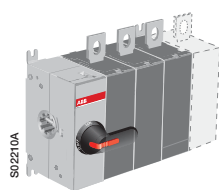


Switch-disconnectors OT 200..800

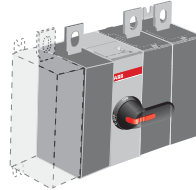
Technical data

200 OT200E_	250 OT250_	315 OT315_	400 OT400_	630 OT630_	800 OT800_
1 000 10 12	1 000 10 12	1 000 10 12	1 000 10 12	1 000 10 12	1 000 10 12
200 200 95	250 250 120	315 315 185	400 400 240	630 630 2x185	800 800 2x240
200 200 200	250 250 250	315 315 315	400 400 400	630 630 630	800 800 800
200 200 200	250 250 250	315 315 315	400 400 400	630 630 630	800 800 800
200 200 135	250 250 135	315 315 200	400 400 200	630 630 400	800 800 400
200/2 200/2 200/3 200/4	250/2 250/2 250/3 230/4 ²⁾	315/1 ²⁾ 315/2 ²⁾ 315/3 315/4	400/1 ²⁾ 400/2 ²⁾ 360/3 360/4	630/1 630/1 630/2 630/4 ²⁾	800/1 800/1 800/2 650/4 ²⁾
60 110 110 132 200	75 140 145 170 250	100 160 180 220 315	132 220 230 280 400	200 355 355 400 630	250 450 450 560 800
1 600 1 600	2 000 2 000	2 520 2 520	3 200 3 200	5 040 5 040	6 400 6 400
40.5 315/315	40.5 315/315	61.5 500/450	61.5 500/450	90 800/1 000	90 800/1 000
40.5 355/315	40.5 355/315	59 500/500	59 500/500	83.5 800/1 000	83.5 800/1 000
15 15 8 30 4	15 15 8 30 6.5	31 24 15 65 6.5	31 24 15 65 10	38 36 20 80 25	38 36 20 80 40
20 000 1.2	20 000 1.2	16 000 2.2	16 000 2.2	10 000 5.2	10 000 5.2
M8x25 15-22 7	M8x25 15-22 7	M10x30 30-44 16	M10x30 30-44 16	M12x40 50-75 27	M12x40 50-75 27

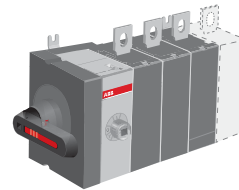
Placing options of the operating mechanism



At the end of the switch fuse
OT_03 or 04



Between the poles
OT_12 or 22



Side operated types
OT_30 or 40
OT_03 or 04



Switch-disconnectors OT 1000...1600 and OETL 1250...3150

Technical data

Technical data according to IEC 60947-3

		Size	A
		Switch type	
Rated insulation voltage and rated operational voltage AC20/DC20	Pollution degree 3		V
Dielectric strength		50 Hz 1min.	kV
Rated impulse withstand voltage			kV
Rated thermal current and rated operational current AC20/DC20	ambient 40°C ambient 40°C ambient 60°C	In open air In enclosure In enclosure	A A A
..with minimum conductor cross section	Cu		mm ²
Rated operational current, AC-21A		up to 690 V 1000 V	A A
Rated operational current, AC-22A		up to 500 V 690 V	A A
Rated operational current, AC-23A		up to 500 V 690 V	A A
Rated operational current / poles in series, DC-21A		up to 48 V 110 V 220 V	A A A
Rated operational power, AC-23A (These values are given for guidance and may vary acc. to the motor manufacturer)		400-415 V 440 V 500 V 690 V	kW kW kW kW
Rated breaking capacity, AC-23A		up to 500 V 690 V	A A
Rated conditional short-circuit current I_p (r.m.s.) and corresponding max. allowed cut-off current i_c	I_p (r.m.s.) Max. OFA fuse size gG/aM	50 kA ≤ 415 V	kA A
The cut-off current i_c refers to values listed by fuse manufacturers (single phase test acc. to IEC60269)	I_p (r.m.s.) Max. OFA fuse size gG/aM	50 kA ≤ 500 V	kA A
Rated short-time withstand current	r.m.s. -value I_{cw}	690 V 0.25s 690 V 1s	kA kA
Rated short circuit making capacity	Peak value I_{cm}	415 V 500 V 690 V	kA kA kA
	Max. distance from switch frame to nearest busbar/cable support	mm	
Power loss / pole	At rated operational current		W
Mechanical endurance	Divide by two for operation cycles		Oper.
Weight without accessories	3-pole 4-pole		kg kg
Terminal bolt size	Metric thread diameter x length		mm
Terminal tightening torque	Counter torque required		Nm
Operating torque	3-pole switch-disconnector		Nm

¹⁾ Extended phase distance (185 mm)

²⁾ IEC 947-3, utilization category B, infrequent operation

³⁾ Pf. 0.95

⁴⁾ Pf. 0.65



Switch-disconnectors OT 1000...1600 and OETL 1250...3150

Technical data

OT1000		OT1250		OT1600		OETL1250M	OETL2500_	OETL3150_
E	X	E	X	E	X			
1 000	1 000	1 000	1 000	1 000	1 000	1 000	1 000	1 000
10	10	10	10	10	10	8	8	8
12	12	12	12	12	12	8	8	8
1 000	1 000	1 250	1 250	1 600	1 600	1 250	2 500	3 150
1 000	1 000	1 250	1 250	1 600	1 600	1 250	2 300	2 600
2x300	2x300	2x400	2x400	2x500	2x500	1 000	1 950	2 300
1 000	1 000	1 000	1 250	1 000	1 600	2x(80x5)	4x(100x5)	3x(100x10)
1 000	1 000	1 250	1 250	1 600	1 600	1 250	2 500 ²⁾	3 150 ^{2) 6)}
800	1 000	1 000	1 250	1 250	1 600	1 000	1 000 ²⁾	1 000 ²⁾
800	1 000	1 000	1 250	1 000	1 250	1 250	1 600 ²⁾	1 600 ²⁾
650	1 000	650	1 250	650	1 250			
						800		
						1 250/1		
						1 250/2		
						1 250/3		
450	560	560	710	560	710	400		
500	630	630	800	630	800	400		
560	710	710	900	710	900	450		
800	1 000	800	1 200	800	1 200			
8 000	10 000	10 000	10 000	10 000	10 000	6 400	6 400	6 400
6 400	10 000	6 400	10 000	8 000	10 000	2 500 ³⁾	4 800 ⁴⁾	4 800 ⁴⁾
						105	140	140
						105	140	140
						105	105	105
50	50	50	50	50	50	56 ⁵⁾		
50	50	50	50	50	50	50 ⁵⁾	80 ⁵⁾	80 ⁵⁾
						105	176 ¹⁾	176 ¹⁾
						105	140	140
						105	105	105
110 ⁷⁾	110 ⁷⁾	110 ⁷⁾	110 ⁷⁾	110 ⁷⁾	110 ⁷⁾			
150	150	150	150	150	150			
19	19	29	29	48	48	40	90	140
6 000	6 000	6 000	6 000	6 000	6 000	6 000	1 200	1 200
14.1	14.1	14.1	14.1	15.2	15.2	16.3	37	37
						20.5	47	47
M12x50	M12x50	M12x50	M12x50	M12x60	M12x60	M12x60	M12x60	M12x60
50...75	50...75	50...75	50...75	50...75	50...75	50...75	50...75	50...75
65	65	65	65	65	65	24	50	50

⁵⁾ Maximum distance between busbar support and switch terminal 70 mm.
⁶⁾ 690 V; 2500 A

⁷⁾ The value is 92 kA for 4-pole switch-disconnectors.



Non fusible disconnect switches OT 16...600

Technical data

Size
Switch type

A

16
OT16_

25
OT25_

Approvals¹⁾

2 pole
3 pole
4 pole

UL508 & IEC
UL508 & IEC

UL508 & IEC
UL508 & IEC

Technical data according to UL/CSA

			A	16	25
General purpose amp rating	pf= 0.7...0.8	-40° to 40 °C	A	16	25
Max. operating voltage			V	600	600
Max. horsepower rating /motor FLA current	pf= 0.4...0.5 Three phase	200 - 208 V	HP/A	3/10.6	7.5/24.2
		240 V	HP/A	5/15.2	7.5/22.0
		480 V	HP/A	10/14.0	15/21.0
		600 V	HP/A	10/11.0	20/22.0
		Single phase	120 V	HP/A	1/16.0
		240 V	HP/A	2/13.2	3/18.7
Short circuit rating with fuse	Maximum fuse size		A	30	60 ²⁾
	Fuse type	CC	kA	10	10
	Fuse type	J	kA	10	10
	Fuse type	T	kA	10	10
	Fuse type	RK1	kA	10	10
	Fuse type	RK5	kA	5	5
	Fuse type	L	kA		
	Fuse type	H	kA		

Technical data according to IEC 60947-3

			V	750	750
Rated insulation voltage and rated operational voltage AC20/DC20	Pollution degree 3		V	750	750
Dielectric strength	50 Hz 1min.		kV	6	6
Rated impulse withstand voltage			kV	8	8
Rated operational current, AC-22A	up to 415 V		A	16	25
	440 - 500 V		A	16	25
	690 V		A	16	25
Rated operational current, AC-23A	up to 415 V		A	16	20
	440 V		A	16	20
	500 V		A	16	20
	690 V		A	10	11
Rated conditional short-circuit current I_p (r.m.s.) and corresponding max. allowed cut-off current \hat{i}_c	I_p (r.m.s.)	50 kA	kA	6.5	6.5
	Max. OFA fuse size gG/aM	415 V	A	40/32	40/32
	I_p (r.m.s.)	10 kA	kA		
	Max. OFA fuse size gG/aM	690 V	A		
The cut-off current \hat{i}_c refers to values listed by fuse manufacturers (single phase test acc. to IEC60269)	I_p (r.m.s.)	50 kA	kA	4	4
	Max. OFA fuse size gG/aM	690 V	A	25/16	25/16
Rated short-time withstand current	r.m.s. -value I_{cw}	690V, 1s	kA	0.5	0.5
Rated short circuit making capacity	Peak value I_{cm}	690V/500V	kA	0.705	0.705
Power loss / pole	At rated operational current		W	0.3	0.6
Mechanical endurance	Divide by two for operation cycles		Oper.	20 000	20 000
Weight without accessories	3-pole		kg	0.11	0.11
	4-pole		kg	0.15	0.15
Cable size	Cu-wire size suitable for terminal clamps		mm ²	0.75-10	0.75-10
			AWG	18-8	18-8
Terminal bolt size	Metric thread diameter x length		mm		
Terminal tightening torque	Counter torque required		Nm	0.8	0.8
			Lb.in.	7	7
Operating torque	3-pole switch-disconnector		Nm	1	1

¹⁾ UL Listed switches are also CSA Approved

²⁾ Fuse size 70A for RK5

³⁾ 200A/min. 95 mm², use busbar connections OEZX16/13 or OZXT2



Non fusible disconnect switches OT 16...600

Technical data

40 OT32_	63 OT45_	80 OT63_	30 OT30_	60 OT60	100 OT100_	160 OT160_	200 OT200_U	400 OT400_U	600 OT600_U
UL508 & IEC UL508 & IEC	UL508 & IEC UL508 & IEC	UL508 & IEC UL508 & IEC	UL 98 & IEC UL 98 & IEC	UL 98 & IEC UL 98 & IEC	UL 98 & IEC UL 98 & IEC	UL 98 & IEC UL 98 & IEC	UL 98 & IEC UL 98 & IEC	UL 98 & IEC UL 98 & IEC	UL 98 & IEC UL 98 & IEC

40	60	80	30	60	100	125	200	400	600		
600	600	600	600	600	600	600	600	600	600		
10/30.8	15/46.2	20/60.0	10/30.8	20/60.0	25/75.0	30/88.0	60/178.0	100/286.0	150/416.0		
10/28.0	15/42.0	20/54.0	10/28.0	20/54.0	30/80.0	40/104.0	75/192.0	125/312.0	200/480.0		
20/27.0	30/40.0	40/52.0	20/27.0	40/52.0	50/65.0	75/96.0	150/180.0	250/302.0	450/515.0		
25/27.0	30/32.0	40/41.0	30/32.0	40/41.0	50/52.0	100/99.0	200/192.0	350/336.0	500/472.0		
2/24.0	2/24.0	2/24.0	2/24.0	3/34.0	5/56.0	7.5/80.0					
5/30.8	7.5/40.0	10/57.5	5/28.0	7.5/40.0	15/68.0	20/88.0					
30	60 ²⁾	100	150	100	150	200	200	400	600	600	800
10											
10	10	100		100			100	65	100		100
10	10	100		100							100
10											
5	5	10	5	10	5					100	
			5		5						100

750	750	750	750	750	750	750	1 000	1 000	1 000
6	6	6	6	6	6	10	10	10	10
8	8	8	8	8	8	12	12	12	12
40	63	80	40	63	100	200 ³⁾	250	400	800
40	63	80	40	63	100	160	250	400	800
40	63	80	40	63	100	160	250	400	800
23	45	75	40	63	80	135	250	400	800
23	45	65	40	63	65	125	250	400	800
23	45	58	40	63	60	125	250	400	800
12	20	20	40	40	40	80	250	400	800
6.5	13	13	16.5	16.5	16.5				
40/32	100/80	100/80	125/125	125/125	125/125				
			8.2	8.2	8.2				
			125/100	125/100	125/100				
4	11	11	10	10	10	24	35	50.5	71.5
25/16	80/63	80/63	63/63	63/63	63/63	200/250	355/315	500/500	800/1000
0.5	1	1.5	2.5	2.5	2.5	4	8	15	20
0.705	1.4	2.1	3.6	3.6	3.6	12	30	65	80
1.6	2.8	4.5		6.5	4.0		6.5	10	40
20 000	20 000	20 000	20 000	20 000	20 000	20 000	20 000	16 000	10 000
0.11	0.27	0.27	0.36	0.36	0.36	1.1	1.2	2.2	5.2
0.15	0.35	0.35	0.50	0.50	0.50	1.3			
0.75-10	1.5-35	1.5-35	2.5-25	2.5-25	10-70	10-70			
18-8	14-4	14-4	14-4	14-4	8-1/0	8-1/0			
0.8	2	2	6	6	6	6	M8x25	M10x30	M12x40
7	18	18	55	55	55	70	15-22	30-44	50-75
1	1.2	1.2	2	2	2	6	7	16	27



Non fusible disconnect switches OETL-NF 800...2000

Technical data

Size Switch type	A	800 OETL -NF800AP	1200 OETL -NF1200P	1600 OETL -NF1600P	2000 OETL -NF2000P
Approvals ¹⁾	2 pole 3 pole 4 pole	UL 98 & IEC UL 98 & IEC IEC	UL 98 & IEC UL 98 & IEC IEC	UL 98 & IEC UL 98 & IEC IEC	UL 98 & IEC UL 98 & IEC IEC

Technical data according to UL/CSA

General purpose amp rating	pf= 0.7...0.8	-40° to 40 °C	A	800	1200	1600	2000
Max. operating voltage			V	600	600	600	480
Max. horsepower rating /max. motor FLA current	pf= 0.4...0.5 Three phase	200 - 208 V 240 V 480 V 600 V	HP/A HP/A HP/A HP/A	200/528.0 200/480.0 500/590.0 500/472.0			
Short circuit rating with fuse	Fuse type	L	kA	100	100	100	100
Maximum fuse size			A	1200	1200	2000	2000

Technical data according to IEC 60947

Rated insulation voltage and rated operational voltage AC20/DC20	Pollution degree 3		V	1000	1000	1000	1000
Dielectric strength	50 Hz 1min.		kV	10	8	8	8
Rated impulse withstand voltage			kV	12	8	8	8
Rated operational current, AC-22A		up to 415 V 440 - 500 V 690 V 1000 V	A A A A	800 800 800 630	1250 1250	1600 1600	1600 ³⁾ 1600 ³⁾
Rated operational current, AC-23A		up to 415 V 440 V 500 V 690 V 1000 V	A A A A A	720 670 600 350 150 ³⁾	800 800 800	800 800 800	
Rated conditional short-circuit current I_p (r.m.s.) and corresponding max. allowed cut-off current \hat{i}_c	I_p (r.m.s.) Max. OFA_fuse size gG/aM	50 kA 415 V	kA A	63 630/800	105	105	140
	I_p (r.m.s.) Max. OFA_fuse size gG/aM	50 kA 500 V	kA A	63 630/800	105	105	140
The cut-off current \hat{i}_c refers to values listed by fuse manufacturers (single phase test acc. to IEC60269)	I_p (r.m.s.) Max. OFA_fuse size gG/aM	50 kA 690 V	kA A	63 500/630	105	105	105
Rated short-time withstand current	R.M.S. -value I_{cw}	690V 1s	kA	17	50 ²⁾	50 ²⁾	80 ²⁾
Rated short circuit making capacity	Peak value I_{cm}	500/690 V	kA	80	105	105	140/105
Power loss / pole	At rated operational current		W	40	40	67	90
Mechanical endurance	Divide by two for operation cycles		Oper.	10 000	6 000	6 000	1 200
Weight without accessories		3-pole 4-pole	kg	6.2 7.6	16.3 20.5	17.5 22.5	37 47
Terminal bolt size	Metric thread diameter x length		mm	M12x40	M12x60	M12x60	M12x60
Terminal tightening torque	Counter torque required		Nm	50...75	50...75	50...75	50...75
Operating torque	3-pole switch-disconnector		Nm	21	24	24	50

¹⁾ UL Listed switches are also CSA Approved

²⁾ Max. distance between busbar support and switch terminal 70 mm.

³⁾ IEC60947-3 category B

Front operated switch-disconnectors

Types OT 16...125 include protected terminal clamps, IP 20.
The type and the ordering numbers are for one piece.

Number of poles	I _{th} (open) [A]	Cable cross section [mm ²]	Rated operat. currents AC22A/AC23A 400V [A/A]	Type	Order number	Delivery batch [pcs]	Weight/unit [kg]
3	25	0.75...10	16 / 16	OT16E3	1SCA022283R8470	10	0.11
4	25	0.75...10	16 / 16	OT16E4	1SCA022352R7170	10	0.14
3	32	0.75...10	25 / 20	OT25E3	1SCA022283R8630	10	0.11
4	32	0.75...10	25 / 20	OT25E4	1SCA022352R7330	10	0.14
3	40	0.75...10	40 / 23	OT32E3	1SCA022283R9010	10	0.11
4	40	0.75...10	40 / 23	OT32E4	1SCA022352R7500	10	0.14
3	63	1.5...35	63 / 45	OT45E3	1SCA022352R6950	10	0.27
4	63	1.5...35	63 / 45	OT45E4	1SCA022352R7680	10	0.30
3	80	1.5...35	80 / 75	OT63E3	1SCA022352R7090	10	0.27
4	80	1.5...35	80 / 75	OT63E4	1SCA022352R7760	10	0.30
3	115	10...70	100 / 80	OT100E3	1SCA022398R4400	10	0.36
4	115	10...70	100 / 80	OT100E4	1SCA022398R4580	10	0.50
3	125	10...70	125 / 90	OT125E3	1SCA022353R7480	10	0.36
4	125	10...70	125 / 90	OT125E4	1SCA022373R1880	10	0.50
3	200		200 ¹⁾ /135	OT160E3 ²⁾	1SCA022257R5950	1	1.2
4	200		200 ¹⁾ /135	OT160E4 ²⁾	1SCA022259R8060	1	1.4
3	200		200 ¹⁾ /135	OT160E3-2	1SCA022297R4060	1	1.0

Shafts and handles included as standard

Suitable for switches	Included shaft	Included handle
OT160E3, _E4	OXF6X210	OHB65J6

Front operated, 6- and 8-pole switch-disconnectors

Including protected terminal clamps, IP 20.

Suitable shaft dia. [mm]	I _{th} (open) [A]	Cable cross section [mm ²]	Operational currents AC22/AC23 400V [A/A]	Type	Order number	Units/type [pcs]	Weight/unit [kg]
6-pole							
5	25	0.75...10	16/16	OT16E6	1SCA022551R4420	1	0.25
5	32	0.75...10	25/20	OT25E6	1SCA022551R5230	1	0.25
5	40	0.75...10	40/23	OT32E6	1SCA022551R2720	1	0.25
6	63	1.5...35	63/45	OT45E6	1SCA022551R3610	1	0.61
6	80	1.5...35	80/75	OT63E6	1SCA022551R6040	1	0.61
6	115	10...70	100/80	OT100E6	1SCA022551R7610	1	0.81
6	125	10...70	125/90	OT125E6	1SCA022551R8410	1	0.81
8-pole							
5	25	0.75...10	16/16	OT16E8	1SCA022551R4510	1	0.31
5	32	0.75...10	25/20	OT25E8	1SCA022551R5310	1	0.31
5	40	0.75...10	40/23	OT32E8	1SCA022551R2990	1	0.31
6	63	1.5...35	63/45	OT45E8	1SCA022551R3700	1	0.67
6	80	1.5...35	80/75	OT63E8	1SCA022551R6120	1	0.67
6	115	10...70	100/80	OT100E8	1SCA022551R7790	1	1.1
6	125	10...70	125/90	OT125E8	1SCA022551R8500	1	1.1

¹⁾ 200A/min. 95 mm², use busbar connections OEZXX6/13 or OZXT2

²⁾ Handle and shaft included



Switch-disconnectors, base mounting

Ordering information

Front operated switch-disconnectors, with pistol handle

Including a black ON-OFF plastic handle and shaft as standard. The handle is IP65 protected, padlockable in the OFF-position and with door interlock in the ON-position. The shaft is adjustable for a range of installation depths.



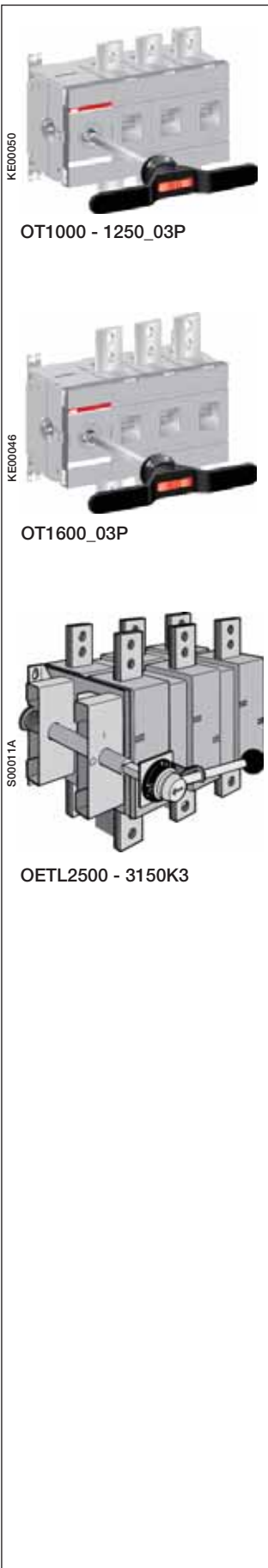
Number of poles	I_{in} (open) [A]	Rated operat. currents AC22A/AC23A 400V [A/A]	Type	Order number	Units/ type [pcs]	Weight/ unit [kg]
3	200	200/200	OT200E03P	1SCA022712R0800	1	1.6
4	200	200/200	OT200E04P	1SCA022713R4930	1	2.0
3	200	200/200	OT200E12P	1SCA022721R3990	1	1.6
4	200	200/200	OT200E22P	1SCA022721R4020	1	2.0
3	250	250/250	OT250E03P	1SCA022710R0100	1	1.6
4	250	250/250	OT250E04P	1SCA022710R0520	1	2.0
3	250	250/250	OT250E12P	1SCA022721R4110	1	1.6
4	250	250/250	OT250E22P	1SCA022721R4290	1	2.0
3	315	315/315	OT315E03P	1SCA022718R8510	1	3.1
4	315	315/315	OT315E04P	1SCA022719R1730	1	3.7
3	315	315/315	OT315E12P	1SCA022727R4190	1	3.1
4	315	315/315	OT315E22P	1SCA022727R4270	1	3.7
3	400	400/400	OT400E03P	1SCA022718R8780	1	3.1
4	400	400/400	OT400E04P	1SCA022719R1810	1	3.7
3	400	400/400	OT400E12P	1SCA022727R5750	1	3.1
4	400	400/400	OT400E22P	1SCA022727R5830	1	3.7
3	630	630/630	OT630E03P	1SCA022718R8940	1	6.3
3+N ¹⁾	630	630/630	OT630E03N3P	1SCA022779R4860	1	6.7
4	630	630/630	OT630E04P	1SCA022719R2030	1	7.5
3	630	630/630	OT630E12P	1SCA022753R4790	1	6.3
4	630	630/630	OT630E22P	1SCA022753R4870	1	7.5
3	800	800/800	OT800E03P	1SCA022718R9410	1	6.3
3+N ¹⁾	800	800/800	OT800E03N3P	1SCA022779R4780	1	6.7
4	800	800/800	OT800E04P	1SCA022719R2110	1	7.5
3	800	800/800	OT800E12P	1SCA022753R5170	1	6.3
4	800	800/800	OT800E22P	1SCA022753R5250	1	7.5

Shafts and handles included as standard

Suitable for switches	Included shaft	Included handle	Included terminal bolts
OT200...250_P	OXF6X210	OHB65J6	M8x25
OT315...400_P	OXF12X185	OHB95J12	M10x30
OT630...800_P	OXF12X185	OHB125J12	M12x40

¹⁾ Include a detachable neutral link integrated into the mechanism.

Front operated switch-disconnectors



Number of poles	I _{th} (open) [A]	Rated oper. currents AC22A/AC23A 400V [A/A]	Type	Order number	Units/type [pcs]	Weight/unit [kg]
-----------------	----------------------------	---	------	--------------	------------------	------------------

Including terminal bolt kit, a black ON-OFF plastic handle OHB200J12P and shaft OXP12x280 as standard. The handle is IP65 protected, padlockable in the OFF-position and with door interlock in the ON-position. The shaft is adjustable for a range of installation depths.

3	1000	1000/800	OT1000E03P	1SCA022860R5930	1	17.0
3+N	1000	1000/800	OT1000E03N3P	1SCA100761R1001	1	17.9
4	1000	1000/800	OT1000E04P	1SCA022860R6150	1	19.5
3	1000	1000/800	OT1000E12P	1SCA022871R5520	1	17.0
4	1000	1000/800	OT1000E22P	1SCA022871R5610	1	19.5
3	1250	1250/1000	OT1250E03P	1SCA022860R6230	1	17.0
3+N	1250	1250/1000	OT1250E03N3P	1SCA022865R7060	1	17.9
4	1250	1250/1000	OT1250E04P	1SCA022860R6310	1	19.5
3	1250	1250/1000	OT1250E12P	1SCA022871R5790	1	17.0
4	1250	1250/1000	OT1250E22P	1SCA022871R5870	1	19.5
3	1600	1600/1000	OT1600E03P	1SCA022860R6580	1	19.0
3+N	1600	1600/1000	OT1600E03N3P	1SCA022865R6920	1	19.9
4	1600	1600/1000	OT1600E04P	1SCA022860R6740	1	22
3	1600	1600/1000	OT1600E12P	1SCA022871R5950	1	19.0
4	1600	1600/1000	OT1600E22P	1SCA022871R6090	1	22

Including an IP54 metallic handle with I-O-indication. Padlockable in the O-position.

3	2500	2500/1600	OETL2500K3 ⁴⁾	1SCA022108R7780	1	37
3	2500	2500/1600	OETL2500K185 ²⁾⁴⁾	1SCA022123R9710	1	37
4	2500	2500/1600	OETL2500K4 ⁴⁾	1SCA022115R6180	1	47
3	2500	2500/1600	OETL2500K3-2 ³⁾⁴⁾	1SCA022157R4000	1	37
3	2500	2500/1600	OETL2500K3-H20 ¹⁾⁴⁾	1SCA022317R2290	1	37
3	2500	2500/1600	OETL2500KV12	1SCA022290R6900	1	37
4	2500	2500/1600	OETL2500KV22	1SCA022290R7110	1	47
3	3150	3150/1600	OETL3150K3 ⁴⁾	1SCA022115R6340	1	37
3	3150	3150/1600	OETL3150K185 ²⁾⁴⁾	1SCA022136R7550	1	38
4	3150	3150/1600	OETL3150K4 ⁴⁾	1SCA022115R6510	1	47
3	3150	3150/1600	OETL3150K3-2 ³⁾⁴⁾	1SCA022157R4260	1	37
3	3150	3150/1600	OETL3150K3-H20 ⁴⁾¹⁾	1SCA022163R8090	1	37
3	3150	3150/1600	OETL3150KV12	1SCA022290R3390	1	37
4	3150	3150/1600	OETL3150KV22	1SCA022293R8260	1	47

Front operated switch-disconnectors for heavy duty

Number of poles	I _{th} (open) [A]	Rated oper. currents AC22A/AC23A 400V [A/A]	Type	Order number	Units/type [pcs]	Weight/unit [kg]
3	1000	1000/1000	OT1000X03P	1SCA101465R1001	1	17.0
3+N	1000	1000/1000	OT1000X03N3P	1SCA101461R1001	1	17.9
4	1000	1000/1000	OT1000X04P	1SCA101471R1001	1	19.5
3	1000	1000/1000	OT1000X12P	1SCA101477R1001	1	17.0
4	1000	1000/1000	OT1000X22P	1SCA101479R1001	1	19.5
3	1250	1250/1250	OT1250X03P	1SCA101484R1001	1	17.0
3+N	1250	1250/1250	OT1250X03N3P	1SCA101609R1001	1	17.9
4	1250	1250/1250	OT1250X04P	1SCA101499R1001	1	19.5
3	1250	1250/1250	OT1250X12P	1SCA101517R1001	1	17.0
4	1250	1250/1250	OT1250X22P	1SCA101522R1001	1	19.5
3	1600	1600/1250	OT1600X03P	1SCA101527R1001	1	19.0
3+N	1600	1600/1250	OT1600X03N3P	1SCA101525R1001	1	19.9
4	1600	1600/1250	OT1600X04P	1SCA101534R1001	1	22
3	1600	1600/1250	OT1600X12P	1SCA101540R1001	1	19.0
4	1600	1600/1250	OT1600X22P	1SCA101542R1001	1	22

Shafts and handles included as standard

Suitable for switches	Included shaft	Included handle	Included terminal bolts
OT1000...1250_P	OXP12X280	OHB200J12P	M12x50
OT1600_P	OXP12X280	OHB200J12P	M12x60
OETL2500...3150	OXP12X325	YASDA7	M12x60

¹⁾ Extra thick (20 μm) silver coating on the contacts.

²⁾ With extended phase distances:
- OETL 2500K185/3150K185:185 mm

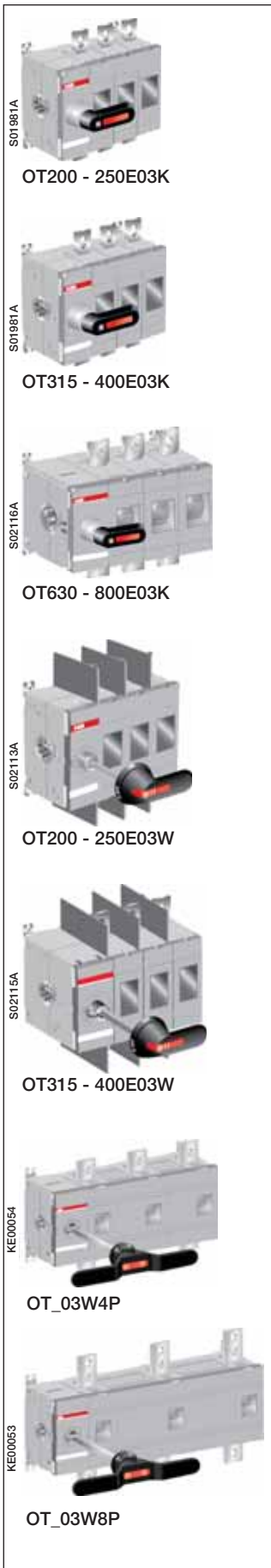
³⁾ Handle and shaft have to be ordered separately

⁴⁾ The busbar connections for different busbar arrangements have to be ordered separately.



Switch-disconnectors, base mounting

Ordering information



Front operated switch-disconnectors with direct mounted handle

Including a black Test-OFF-ON plastic handle and shaft as standard. The handle is padlockable in the OFF-position.

Number of poles	I _{th} (open) [A]	Rated operat. currents AC22A/AC23A 400V [A/A]	Type	Order number	Units/ type [pcs]	Weight/ unit [kg]
3	200	200/200	OT200E03K	1SCA022763R4820	1	1.5
4	200	200/200	OT200E04K	1SCA022763R4910	1	1.9
3	250	250/250	OT250E03K	1SCA022763R5040	1	1.5
4	250	250/250	OT250E04K	1SCA022763R5210	1	1.9
3	315	315/315	OT315E03K	1SCA022763R5630	1	2.9
4	315	315/315	OT315E04K	1SCA022763R5710	1	3.5
3	400	400/400	OT400E03K	1SCA022763R5390	1	2.9
4	400	400/400	OT400E04K	1SCA022763R5550	1	3.5
3	630	630/630	OT630E03K	1SCA022779R4940	1	6.3
4	630	630/630	OT630E04K	1SCA022779R5080	1	7.5
3	800	800/800	OT800E03K	1SCA022779R5160	1	6.3
4	800	800/800	OT800E04K	1SCA022779R5240	1	7.5

Front operated switch-disconnectors with wide phase distance

The phase barriers are mounted as standard. Including a black ON-OFF plastic handle and shaft as standard. The handle is IP65 protected, padlockable in the OFF-position and with door interlock in the ON-position. The shaft is adjustable for a range of installation depths.

3	200	200/200	OT200E03WP	1SCA022744R2670	1	1.8
4	200	200/200	OT200E04WP	1SCA022744R3130	1	2.2
3	200	200/200	OT200E12WP	1SCA022744R2910	1	1.8
4	200	200/200	OT200E22WP	1SCA022744R3300	1	2.2
3	250	250/250	OT250E03WP	1SCA022744R3560	1	1.8
4	250	250/250	OT250E04WP	1SCA022744R3810	1	2.2
3	250	250/250	OT250E12WP	1SCA022745R0000	1	1.8
4	250	250/250	OT250E22WP	1SCA022745R0180	1	2.2
3	315	315/315	OT315E03WP	1SCA022809R8650	1	3.4
4	315	315/315	OT315E04WP	1SCA022809R8900	1	4.0
3	315	315/315	OT315E12WP	1SCA022809R9380	1	3.4
4	315	315/315	OT315E22WP	1SCA022810R0900	1	4.0
3	400	400/400	OT400E03WP	1SCA022809R8310	1	3.4
4	400	400/400	OT400E04WP	1SCA022809R8810	1	4.0
3	400	400/400	OT400E12WP	1SCA022809R9200	1	3.4
4	400	400/400	OT400E22WP	1SCA022810R0570	1	4.0
3	1000	1000/800	OT1000E03W4P	1SCA022871R7310	1	19.8
4	1000	1000/800	OT1000E04W4P	1SCA100762R1001	1	24
3	1000	1000/800	OT1000E03W8P	1SCA022871R8110	1	22
3	1250	1250/1000	OT1250E03W4P	1SCA022866R1920	1	19.8
4	1250	1250/1000	OT1250E04W4P	1SCA022866R2220	1	24
3	1250	1250/1000	OT1250E03W8P	1SCA022871R8540	1	22
3	1600	1600/1000	OT1600E03W4P	1SCA022865R9860	1	22
4	1600	1600/1000	OT1600E04W4P	1SCA022866R1090	1	26
3	1600	1600/1000	OT1600E03W8P	1SCA022871R8970	1	24

Front operated switch-disconnectors with wide phase distance for heavy duty

3	1000	1000/1000	OT1000X03W4P	1SCA101467R1001	1	19.8
4	1000	1000/1000	OT1000X04W4P	1SCA101473R1001	1	24
3	1000	1000/1000	OT1000X03W8P	1SCA101469R1001	1	22
3	1250	1250/1250	OT1250X03W4P	1SCA101546R1001	1	19.8
4	1250	1250/1250	OT1250X04W4P	1SCA101488R1001	1	24
3	1250	1250/1250	OT1250X03W8P	1SCA101494R1001	1	22
3	1600	1600/1250	OT1600X03W4P	1SCA101529R1001	1	22
4	1600	1600/1250	OT1600X04W4P	1SCA101563R1001	1	26
3	1600	1600/1250	OT1600X03W8P	1SCA101532R1001	1	24

Shafts and handles included as standard

Suitable for switches	Included shaft	Included handle	Included terminal bolts
OT200...250_P	OXF6X210	OHB65J6	M8x25
OT315...400_P	OXF12X185	OHB95J12	M10x30
OT200...250_K		OHB65D6	M8x25
OT315...400_K		OHB95D12	M10x30
OT630...800_K		OHB145D12	M12x40
OT1000...1250_P	OXF12X280	OHB200J12P	M12x50
OT1600_P	OXF12X280	OHB200J12P	M12x60

W4 = Phase distance 140 mm
W8 = Phase distance 185 mm



Front operated switch-disconnectors, door mounting

Types OT 16...125 include protected terminal clamps, IP 20.
The type and ordering numbers are for one piece.

Number of poles	I_{in} (open) [A]	Cable cross section [mm ²]	Rated operat. currents AC22A/AC23A 400V [A/A]	Type	Order number	Delivery batch [pcs]	Weight/unit [kg]
3	25	0.75...10	16/16	OT16ET3	1SCA022352R6610	10	0.13
4	25	0.75...10	16/16	OT16ET4	1SCA022352R7250	10	0.16
3	32	0.75...10	25/20	OT25ET3	1SCA022352R6790	10	0.13
4	32	0.75...10	25/20	OT25ET4	1SCA022352R7410	10	0.16
3	40	0.75...10	40/23	OT32ET3	1SCA022352R6870	10	0.13
4	40	0.75...10	40/23	OT32ET4	1SCA022347R3490	10	0.16
3	63	1.5...35	63/45	OT45ET3	1SCA022353R7050	10	0.28
4	63	1.5...35	63/45	OT45ET4	1SCA022371R5500	10	0.35
3	80	1.5...35	80/75	OT63ET3	1SCA022353R7130	10	0.28
4	80	1.5...35	80/75	OT63ET4	1SCA022371R6490	10	0.35
3	115	10...70	100/80	OT100ET3	1SCA022393R9280	10	0.40
4	115	10...70	100/80	OT100ET4	1SCA022398R4660	10	0.54
3	125	10...70	125/90	OT125ET3	1SCA022353R7560	10	0.40
4	125	10...70	125/90	OT125ET4	1SCA022376R8880	10	0.54
3	200	10...70	200 ¹⁾ /135	OT160ET3	1SCA022350R1960	1	1.0
4	200	10...70	200 ¹⁾ /135	OT160ET4	1SCA022460R6920	1	1.3

Side operated switch-disconnectors without handle

Including terminal bolt kit, the handle and shaft have to be ordered separately.

Number of poles	I_{in} (open) [A]	Rated oper. currents AC22A/AC23A 400V [A/A]	Type	Order number	Units/type [pcs]	Weight/unit [kg]
3	200	200/200	OT200ES03	1SCA022860R0200	1	1.8
4	200	200/200	OT200ES04	1SCA022860R0540	1	2.2
3	250	250/250	OT250ES03	1SCA022860R0890	1	1.8
4	250	250/250	OT250ES04	1SCA022860R1010	1	2.2
3	315	315/315	OT315ES03	1SCA022860R1270	1	3.4
4	315	315/315	OT315ES04	1SCA022860R1510	1	4.0
3	400	400/400	OT400ES03	1SCA022860R1780	1	3.4
4	400	400/400	OT400ES04	1SCA022860R1940	1	4.0

Side operated switch-disconnectors with direct mounted handle

Including terminal bolt kit, a black Test-ON-OFF plastic handle and shaft as standard. The handle is padlockable in the OFF-position.

Number of poles	I_{in} (open) [A]	Rated oper. currents AC22A/AC23A 400V [A/A]	Type	Order number	Units/type [pcs]	Weight/unit [kg]
3	200	200/200	OT200ES03K	1SCA022860R0620	1	1.9
4	200	200/200	OT200ES04K	1SCA022860R0710	1	2.3
3	250	250/250	OT250ES03K	1SCA022860R0970	1	1.9
4	250	250/250	OT250ES04K	1SCA022860R1190	1	2.3
3	315	315/315	OT315ES03K	1SCA022860R1350	1	3.5
4	315	315/315	OT315ES04K	1SCA022860R1600	1	4.1
3	400	400/400	OT400ES03K	1SCA022860R1860	1	3.5
4	400	400/400	OT400ES04K	1SCA022860R2080	1	4.1

Earthing switches, base mounting

Including a black IP65 handle with \perp - O - indication, padlockable in both positions, door interlock in O-position.

Number of poles	Short circuit making capacity r.m.s. [kA]	Short time withstand current/1s [kA]	Type	Order number	Units/type [pcs]	Weight/unit [kg]
3	50/0.4s ²⁾	50	OETL1250M3	1SCA022102R1410	1	16
4	50/0.5s ²⁾		OETL1250M4	1SCA022189R0930	1	21
3	110 (Peak)		OETL1250M140 ²⁾	1SCA022126R6950	1	21
4			OETL1250M4-140 ²⁾	1SCA022290R5680	1	25

Shafts and handles included as standard

Suitable for switches	Included shaft	Included handle	Included terminal bolts
OT160 OT200...250 OT315...400	OXF6X130	OHB65J6	M8x25 M10x30
OETL1250	OXF12X185	OHB145J12E421	M12x60

¹⁾ 200A/min. 95 mm², use busbar connections OEZX6/13 or OZXT2
²⁾ Phase distance 140 mm

³⁾ Max. distance between busbar support and switch terminal 70 mm



UL/CSA Non-fusible disconnect switches

Ordering information

Front operated, non-fusible disconnect switches

The type and ordering numbers are for one piece.

Number of poles	Ampere rating [A]	Horsepower rating 3-phase [HP]				Type	Order number	Delivery batch [pcs]	Weight/unit [kg]
		200/208V	240V	480V	600V				
3	16	3	5	10	10	OT16E3	1SCA022283R8470	10	0.11
4	16	3	5	10	10	OT16E4	1SCA022352R7170	10	0.14
3	16	3	5	10	10	OT16ET3	1SCA022352R6610	10	0.13
4	16	3	5	10	10	OT16ET4	1SCA022352R7250	10	0.16
3	25	7.5	7.5	15	20	OT25E3	1SCA022283R8630	10	0.11
4	25	7.5	7.5	15	20	OT25E4	1SCA022352R7330	10	0.14
3	25	7.5	7.5	15	20	OT25ET3	1SCA022352R6790	10	0.13
4	25	7.5	7.5	15	20	OT25ET4	1SCA022352R7410	10	0.16
3	40	10	10	20	25	OT32E3	1SCA022283R9010	10	0.11
4	40	10	10	20	25	OT32E4	1SCA022352R7500	10	0.14
3	40	10	10	20	25	OT32ET3	1SCA022352R6870	10	0.13
4	40	10	10	20	25	OT32ET4	1SCA022347R3490	10	0.16
3	60	15	15	30	30	OT45E3	1SCA022352R6950	10	0.27
4	60	15	15	30	30	OT45E4	1SCA022352R7680	10	0.30
3	60	15	15	30	30	OT45ET3	1SCA022353R7050	10	0.28
4	60	15	15	30	30	OT45ET4	1SCA022371R5500	10	0.35
3	80	20	20	40	40	OT63E3	1SCA022352R7090	10	0.27
4	80	20	20	40	40	OT63E4	1SCA022352R7760	10	0.30
3	80	20	20	40	40	OT63ET3	1SCA022353R7130	10	0.28
4	80	20	20	40	40	OT63ET4	1SCA022371R6490	10	0.35
3	30	10	10	20	30	OT30E3	1SCA022553R6660	10	0.36
4	30	10	10	20	30	OT30E4	1SCA022553R6820	10	0.50
3	60	20	20	40	40	OT60E3	1SCA022553R6740	10	0.36
4	60	20	20	40	40	OT60E4	1SCA022553R6910	10	0.50
3	100	25	30	50	50	OT100E3	1SCA022398R4400	10	0.36
4	100	25	30	50	50	OT100E4	1SCA022398R4580	10	0.50

Including handle: NEMA 1, 3R, 12, IP65 and shaft

3	125	25	30	60	75	OT160E3	1SCA022257R5950	1	1.0
4	125	25	30	60	75	OT160E4	1SCA022259R8060	1	1.3
3	200	60	75	150	200	OT200U03P	1SCA022709R9920	1	1.8
4	200	60	75	150	200	OT200U04P	1SCA022710R0610	1	2.2
3	200	60	75	150	200	OT200U12P	1SCA022752R2010	1	1.8
4	200	60	75	150	200	OT200U22P	1SCA022741R8880	1	2.2
3	400	100	125	250	350	OT400U03P	1SCA022718R9670	1	3.4
4	400	100	125	250	350	OT400U04P	1SCA022719R1900	1	4.0
3	400	100	125	250	350	OT400U12P	1SCA022754R9690	1	3.4
4	400	100	125	250	350	OT400U22P	1SCA022762R7290	1	4.0
3	600	150	200	450	500	OT600U03P	1SCA022718R9830	1	6.5
4	600	150	200	450	500	OT600U04P	1SCA022719R2200	1	7.7
3	600	150	200	450	500	OT600U12P	1SCA022753R7710	1	6.4
4	600	150	200	450	500	OT600U22P	1SCA022753R7890	1	7.7
3	800	200	200	500	500	OETL-NF800AP	1SCA022282R0260	1	16.3
3	1200	-	-	-	-	OETL-NF1200P	1SCA022282R0420	1	17.5

Including handle, NEMA 1, 3R, 4, 4x, 12, IP65, shaft and busbar connections

3	1600	-	-	-	-	OETL-NF1600P	1SCA022282R0690	1	65
3	2000 ¹⁾	-	-	-	-	OETL-NF2000P	1SCA022282R0850	1	65

Shafts and handles included as standard

Suitable for switches	Included shaft	Included handle	Included terminal bolts
OT160E	OXp6X210	OHB65J6	
OT200U_P	OXp6X210	OHB65J6	M8x25
OT400U_P	OXp12X185	OHB95J12	M10x30
OT600U_P	OXp12X185	OHB125J12	M12x40
OETL-NF800	OXp12X280	OHB145J12	M12x40
OETL-NF1200	OXp12x280	OHB145J12	M12x60
OETL-NF1600...2000	OXp12X325	YASDA8	M12x60

- Approvals:
 - OT16...63: UL 508, CSA 22-2 # 14
 - OT30...600: UL 98, CSA 22-2 # 4
 - OETL-NF: UL98, CSA 22-22 #4
 - IEC 60947-3

¹⁾ 480 VAC max.



OT16E... OT125E

- 1 Switch-disconnector
- 2 Extended shaft
- 3 Terminal clamp
- 4 Fourth pole, N-and PE-terminals
- 5 Auxiliary contact
- 6 Terminal shroud
- 7 Shaft alignment ring
- 8 Legend plate
- 9 Selector type handle
- 10 Handle knob
- 11 Pistol type handle
- 12 Conversion kit
- 13 Labelling accessories
- 14 Cam attachment for interlocking

OT 16ET...125ET

- 1 Switch-disconnector
- 2 Terminal clamp
- 3 Fourth pole, N-and PE-terminals
- 4 Auxiliary contact
- 5 Terminal shroud
- 6 Legend plate
- 7 Selector type handle
- 8 Pistol type handle

S02066A

OT160

- 1 Switch-disconnector
- 2 Extended shaft
- 3 Terminal clamp
- 4 Fourth pole, N-and PE-terminals
- 5 Adapter for auxiliary contact blocks
- 6 Auxiliary contact
- 7 Terminal shroud
- 8 Handle support
- 9 Legend plate
- 10 Shaft alignment ring
- 11 Pistol type handle
- 12 Handle knob
- 13 Adapter for auxiliary contact blocks
- 14 Auxiliary contact
- 15 Cam attachment for interlocking

- 1 Switch-disconnector
- 2 Extended shaft
- 3 Terminal clamp
- 4 Fourth pole
- 5 Module for auxiliary contact
- 6 Auxiliary contact
- 7 Terminal shroud
- 8 Pistol type handle
- 9 Direct mounting type handle
- 10 Labelling accessories
- 11 Detachable neutral link

OT200...1600

SO2069A



Optional handles Ordering information

Optional handles, base and DIN-rail mounted switches

Handle knobs

Mounting directly to the switch, no shaft needed.
Padlockable with one padlock with bail diameter 5 mm, see the table below

Colour	Handle length [mm]	Suitable for switches	Type	Order number	Units/type [pcs]
Black	31	OT16...63E3/E4	OHB1	1SCA022366R1900	10
Black	31	OT16...63E3/E4	OHB1/1	1SCA022699R6790	1
Red	31	OT16...63E3/E4	OHR1	1SCA022366R2030	10
Red	31	OT16...63E3/E4	OHR1 / 1	1SCA022699R6870	1
Black	40	OT45...125E3/E4	OHB2	1SCA022648R3810	10
Black	40	OT45...125E3/E4	OHB2/1	1SCA022660R4540	1
Red	40	OT45...125E3/E4	OHR2	1SCA022645R2420	10
Red	40	OT45...125E3/E4	OHR2/1	1SCA022660R4620	1
Black	39	OT16...125E3/E4	OHB3	1SCA022648R4110	10
Black	39	OT16...125E3/E4	OHB3/1	1SCA022659R7400	1
Red	39	OT16...125E3/E4	OHR3	1SCA022648R4200	10
Red	39	OT16...125E3/E4	OHR3/1	1SCA022660R4710	1
Black	72	OT45...125E6_E8	OHB9	1SCA022648R3900	10
Black	72	OT45...125E6_E8	OHB9/1	1SCA022660R5010	1
Red	72	OT45...125E6_E8	OHR9	1SCA022648R4030	10
Red	72	OT45...125E6_E8	OHR9/1	1SCA022660R4970	1
Black	72	OT160	YAST1	1SCA022301R5350	10
Black	72	OT160	OHB13	1SCA022712R4620	10

Mounting directly to the switch, a 6 mm shaft can be inserted through the handle

Switch type	Handle type	
	Non-padlockable	Padlockable
OT16...32E3/_E4	OHB1_ , OHR1_	OHB12_ , OHR12_
	OHB3_ , OHR3_	
OT16...32E6/_E8 + OWP5D1	OHB3_ , OHR3_	OHB2_ , OHR2_
OT45...125E3/_E4	OHB3_ , OHR3_	OHB2_ , OHR2_
OT45...63E6/_E8 + OWP6D1	OHB9_ , OHR9_	
OT100...125E6/_E8 + OWP6D2	OHB9_ , OHR9_	
OT160	YAST1	
OT160	OHB13	

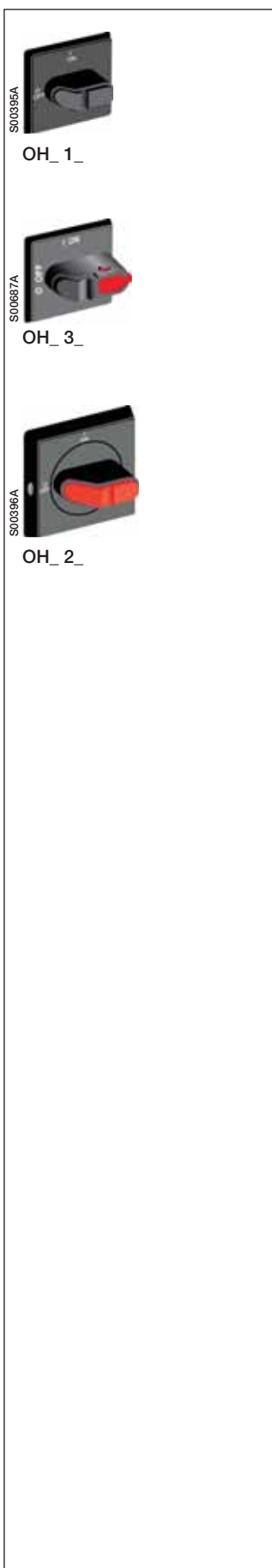
Handle type	Shaft through the handle	45 mm cut-out enable*
OHB1_ , OHR1_	No	Yes
OHB2_ , OHR2_	Yes	Yes
OHB3_ , OHR3_	No	Yes
OHB9_ , OHR9_	No	No
YAST1	No	No
OHB13	Yes	No

*) in 0-position the handle shall remain within the cut-out height





Optional handles Ordering information



Optional handles, base and DIN-rail mounted switches

Selector type handles

Indication I-O and ON-OFF, for shaft diameter 5 mm, door drilling 22,5 mm.
The type and the ordering numbers are for one piece.

Colour	Suitable for switches	Type	Order number	Delivery batch [pcs]
IP 54 handles, NEMA 1				
Black	OT16...63E	OHB1AH	1SCA022347R3810	150
Yellow-red	OT16...63E	OHY1AH	1SCA022347R3900	150
Silver	OT16...63E	OHS1AH	1SCA022353R2090	150
Grey	OT16...63E	OHG1AH	1SCA022353R2330	150
IP 54 handles, door interlock in ON-position, NEMA 1				
Black	OT16...63E	OHB1AH1	1SCA022364R6340	150
Yellow-red	OT16...63E	OHY1AH1	1SCA022364R6420	150
Silver	OT16...63E	OHS1AH1	1SCA022364R6510	150
Grey	OT16...63E	OHG1AH1	1SCA022364R6690	150
IP 54 handles, padlockable with one padlock with bail diameter 5...6.3 mm, NEMA 1				
Black	OT16...125E	OHB3AH	1SCA022428R8960	150
Yellow-red	OT16...125E	OHY3AH	1SCA022428R9180	150
Silver	OT16...125E	OHS3AH	1SCA022398R6010	150
Grey	OT16...125E	OHG3AH	1SCA022428R9690	150
IP 54 handles, padlockable with one padlock with bail diameter 5...6.3 mm, door interlock in ON-position, NEMA 1				
Black	OT16...125E	OHB3AH1	1SCA022428R9000	150
Yellow-red	OT16...125E	OHY3AH1	1SCA022400R3710	150
Silver	OT16...125E	OHS3AH1	1SCA022400R3630	150
Grey	OT16...125E	OHG3AH1	1SCA022428R9770	150
IP 65 handles, padlockable with max. 3 padlocks with bail diameter 5...8 mm, door interlock in ON-position, defeatable, NEMA 1, 3R, 12				
Black	OT16...125E	OHB2AJ	1SCA022347R4030	120
Yellow-red	OT16...125E	OHY2AJ	1SCA022353R2840	120
Silver	OT16...125E	OHS2AJ	1SCA022353R3140	120
Grey	OT16...125E	OHG2AJ	1SCA022353R3490	120
IP 65 handles, padlockable with max. 3 padlocks with bail diameter 5...8 mm, door interlock in ON-position, NEMA 1, 3R, 12				
Black	OT16...125E	OHB2AJ1	1SCA022358R5110	120
Yellow-red	OT16...125E	OHY2AJ1	1SCA022358R5290	120
Silver	OT16...125E	OHS2AJ1	1SCA022359R0110	120
Grey	OT16...125E	OHG2AJ1	1SCA022359R0020	120

Optional handles, base and DIN-rail mounted switches

Pistol type handles

OH_ handles: IP 65, NEMA 1,3R, 12, padlockable with three padlocks in OFF-position, door interlock in ON-position. Screw fixing from the back side of the handle. No screws on the front ensures double insulation. The type and the ordering numbers are for one piece.

Colour	Handle length [mm]	Suitable for switches	Type	Order number	Delivery batch [pcs]	Weight/unit [kg]
For shaft diameter 5 mm, indication in types OHB and OHY: I-O, ON-OFF, in types OHG: I-O						
Black	45	OT16...125E	OHB45J5	1SCA022380R8180	100	0.10
Yellow-red	45	OT16...125E	OHY45J5	1SCA022380R8340	100	0.10
Grey	45	OT16...125E	OHG45J5	1SCA022380R8260	100	0.10
For shaft diameter 6 mm, indication in types OHB and OHY: I-O, ON-OFF, in types OHG: I-O.						
Black	65	OT160...250_	OHB65J6	1SCA022380R9660	100	0.12
Yellow-red	65	OT160...250_	OHY65J6	1SCA022380R9820	100	0.12
Grey	65	OT160...250_	OHG65J6	1SCA022380R9740	100	0.12
Black	80	OT160...250_	OHB80J6	1SCA022381R0240	100	0.14
Yellow-red	80	OT160...250_	OHY80J6	1SCA022381R0410	100	0.14
Grey	80	OT160...250_	OHG80J6	1SCA022381R0320	100	0.14
For shaft diameter 6 mm, indication: Test-OFF-ON/Test-0-I						
Black	65	OT200...250_	OHB65J6T	1SCA022399R8110	100	0.12
Yellow-red	65	OT200...250_	OHY65J6T	1SCA022456R9540	100	0.12
For shaft diameter 12 mm, indication OHB and OHY: I-O, ON-OFF, in types OHG: I-O						
Black	95	OT315...400_	OHB95J12	1SCA022381R0830	90	0.16
Yellow-red	95	OT315...400_	OHY95J12	1SCA022381R1050	90	0.16
Grey	95	OT315...400_	OHG95J12		90	0.16
Black	125	OT630...800_	OHB125J12	1SCA022381R1560	90	0.17
Yellow-red	125	OT630...800_	OHY125J12	1SCA022381R1720	90	0.17
Grey	125	OT630...800_	OHG125J12	1SCA022381R1640	90	0.17
Black	145	OETL-NF800...1200_	OHB145J12	1SCA022381R2110	90	0.17
Yellow-red	145	OETL-NF800...1200_	OHY145J12	1SCA022381R2370	90	0.17
Grey	145	OETL-NF800...1200_	OHG145J12	1SCA022381R2290	90	0.17
Black	175	OETL-NF800...1200_	OHB175J12	1SCA022381R2450	90	0.18
Yellow-red	175	OETL-NF800...1200_	OHY175J12	1SCA022381R2700	90	0.18
Grey	175	OETL-NF800...1200_	OHG175J12	1SCA022381R2610	90	0.18
Black	2x200	OT1000...1600	OHB200J12P	1SCA022865R9510	50	0.40
Yellow-red	2x200	OT1000...1600	OHY200J12P	1SCA101587R1001	50	0.40
Black	275	OETL2500...3150	OHB275J12	1SCA022381R2960	90	0.20
Yellow-red	275	OETL2500...3150	OHY275J12	1SCA022381R3180	90	0.20
Grey	275	OETL2500...3150	OHG275J12	1SCA022381R3000	90	0.20
For shaft diameter 12 mm, indication: Test-OFF-ON/Test-0-I						
Black	95	OT315...400	OHB95J12T	1SCA022736R1750	90	0.16
Yellow-red	95	OT315...400	OHY95J12T	1SCA022736R1910	90	0.16
Black	125	OT630...800	OHB125J12T	1SCA022652R2220	90	0.17
Yellow-red	125	OT630...800	OHY125J12T	1SCA022652R2310	90	0.17
For shaft diameter 12 mm, indication: I-O-II						
Black	145	OETL1000...1600	OHB145J12E011	1SCA022399R8530	90	0.15
Yellow-red	145	OETL1000...1600	OHY145J12E011	1SCA022460R7060	90	0.15
Grey	145	OETL1000...1600	OHG145J12E011	1SCA022460R7140	90	0.15
Black	275	OETL1000...3150	OHB275J12E011	1SCA022460R7220	90	0.19
Yellow-red	275	OETL1000...3150	OHY275J12E011	1SCA022460R7310	90	0.19
Grey	275	OETL1000...3150	OHG275J12E011	1SCA022460R7490	90	0.19

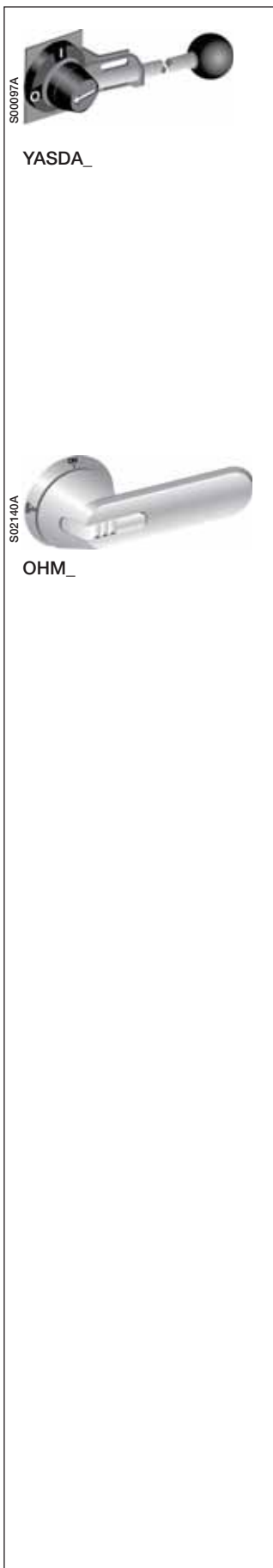
Handles for direct mounting

Indication Test-OFF-ON/Test-0-I. Padlockable with three padlocks in OFF-position. Includes shaft and mechanism cover.

Black	65	OT200...250_	OTV250EK	1SCA022763R2700	1	0.10
Yellow-red	65	OT200...250_	OTVY250EK	1SCA022772R7910	1	0.10
Black	95	OT315...400_	OTV400EK	1SCA022763R2960	1	0.20
Yellow-red	95	OT315...400_	OTVY400EK	1SCA022772R7830	1	0.20
Black	125	OT630...800_	OTV800EK	1SCA022804R6340	1	0.30

• Door interlocking in ON-position means that the door can not be opened, when the handle is in ON-position. This can be defeated in IP 65 types to allow authorized personnel access for inspection.

• NEMA 4, 4x pistol handles available on request.
• Handles padlockable in all positions available on request.



Optional handles, base mounted switches

Metallic handles

IP65, NEMA 1, 3R, 4, 4x, 12, padlockable with 3 padlocks in OFF- position, door interlock in ON- position.

Colour	Handle length [mm]	Suitable for switches	Type	Order number	Units/ type [pcs]	Weight/ unit [kg]
For shaft diameter 12 mm, indication I-0						
Black	220	OETL2500...3150	YASDA7	1SCA022071R3010	1	0.68
For shaft diameter 12 mm, indication ON-OFF						
Black	220	OETL2500...3150	YASDA8	1SCA022071R3270	1	0.68
IP44, padlockable with 3 padlocks in OFF- position, door interlock in I- and II- position.						
For shaft diameter 12 mm, indication I-0-II						
Black	220	OETL2500...3150	YASDA21	1SCA022098R9420	1	0.68
Black	320	OETL2500...3150	YASDA6	1SCA022071R2890	1	0.80

Stainless steel handles

Stainless steel handles, indication I-O/ON-OFF, padlockable with 3 padlocks in the OFF-position, door interlock in the ON-position, IP66 (NEMA 4X)

Colour	Handle length [mm]	Type	Order number	Units/ type [pcs]	Weight/ unit [kg]
For shaft diameter 6 mm					
Grey	65	OHM65L6	1SCA022739R1070	1	0.73
For shaft diameter 12 mm					
Grey	125	OHM125L12	1SCA022739R1150	1	0.76
Grey	175	OHM175L12	1SCA022739R1230	1	0.83
Grey	275	OHM275L12	1SCA022832R4840	1	0.96



Optional handles Ordering information

Optional handles, door mounted switches

Selector type handles

Indication I-O and ON-OFF. No separate shaft needed.
The type and the ordering numbers are for one piece.

Colour	Suitable for switches	Type	Order number	Delivery batch [pcs]
--------	-----------------------	------	--------------	----------------------

Snap-on mounting, door drilling 22,5 mm

No padlocking, IP 54, NEMA 1

Black	OT16...32ET	OHB1PH	1SCA022353R1610	150
Yellow-red	OT16...32ET	OHY1PH	1SCA022353R1870	150
Silver	OT16...32ET	OHS1PH	1SCA022353R2170	150
Grey	OT16...32ET	OHG1PH	1SCA022353R2410	150

Padlockable with one padlock, IP 54, NEMA 1

Black	OT16...32ET	OHB3PH	1SCA022428R9260	150
Yellow-red	OT16...32ET	OHY3PH	1SCA022400R3120	150
Silver	OT16...32ET	OHS3PH	1SCA022400R4100	150
Grey	OT16...32ET	OHG3PH	1SCA022428R9510	150

Padlockable with max. 3 padlocks, IP 65, NEMA 1, 3R, 12

Black	OT16...32ET	OHB2PJ	1SCA022353R2680	120
Yellow-red	OT16...32ET	OHY2PJ	1SCA022353R2920	120
Silver	OT16...32ET	OHS2PJ	1SCA022353R3220	120
Grey	OT16...32ET	OHG2PJ	1SCA022353R3650	120

Screw mounting, hole distance 36 mm

No padlocking, IP 54, NEMA 1

Black	OT16...63ET	OHB1RH	1SCA022353R1790	150
Yellow-red	OT16...63ET	OHY1RH	1SCA022353R1950	150
Silver	OT16...63ET	OHS1RH	1SCA022353R2250	150
Grey	OT16...63ET	OHG1RH	1SCA022353R2500	150

Padlockable with one padlock, IP 54, NEMA 1

Black	OT16...63ET	OHB3RH	1SCA022428R9340	150
Yellow-red	OT16...63ET	OHY3RH	1SCA022400R3550	150
Silver	OT16...63ET	OHS3RH	1SCA022400R3390	150
Grey	OT16...63ET	OHG3RH	1SCA022428R9420	150

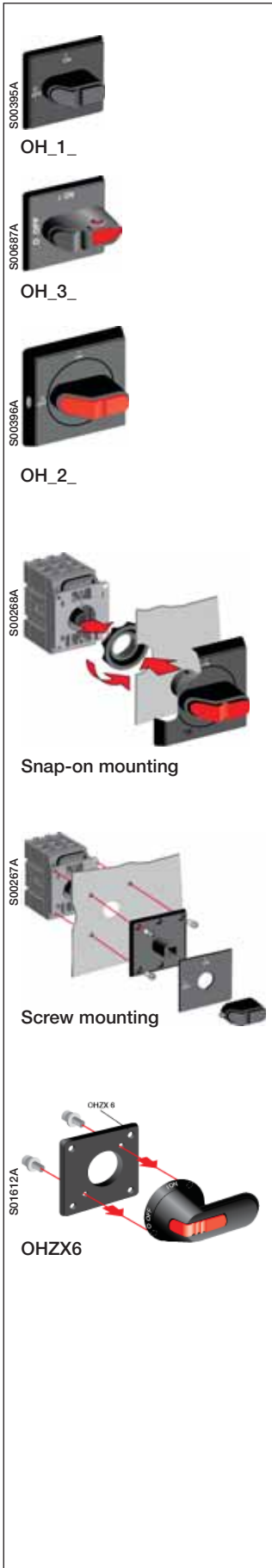
Padlockable with max. 3 padlocks, IP 65, hole distance 36/48 mm, NEMA 1, 3R, 12

Black	OT16...125ET	OHB2RJ	1SCA022353R2760	120
Yellow-red	OT16...125ET	OHY2RJ	1SCA022353R3060	120
Silver	OT16...125ET	OHS2RJ	1SCA022353R3310	120
Grey	OT16...125ET	OHG2RJ	1SCA022353R3570	120

Pistol handle mounting kit for OT 100...125 ET_ switches

Pistol handle is not included

Black	OHZX6	1SCA022559R5670	10
-------	-------	-----------------	----



• Door interlocking in ON-position means that the door can not be opened, when the handle is in ON-position.
This can be defeated in IP 65 types to allow authorized personnel access for inspection.

• NEMA 4, 4x pistol handles available on request.
• Handles padlockable in all positions are available on request.



Legend plates for selector type handles

Description	Type	Order number	Units/ type [pcs]
Plain plates for OH 1_ and OH 3_ handles.			
Black	OPB1	1SCA022353R3730	1
Yellow	OPY1	1SCA022353R3810	1
Silver	OPS1	1SCA022353R4030	1
Grey	OPG1	1SCA022353R3900	1
Plain plates for OH 2_ handles.			
Black	OPB2	1SCA022353R4110	1
Yellow	OPY2	1SCA022353R4200	1
Silver	OPS2	1SCA022353R4460	1
Grey	OPG2	1SCA022353R4380	1
Printed plates for OH 1_ and OH3_ handles. Text: MAIN SWITCH.			
Black	OPB1EN1	1SCA022487R4180	1
Yellow	OPY1EN1	1SCA022485R2880	1
Silver	OPS1EN1	1SCA022500R5110	1
Grey	OPG1EN1	1SCA022504R1770	1
Printed plates for OH 2_ handles. Text: MAIN SWITCH.			
Black	OPB2EN1	1SCA022400R2070	1
Yellow	OPY2EN1	1SCA022400R2740	1
Silver	OPS2EN1	1SCA022400R2230	1
Grey	OPG2EN1	1SCA022400R2310	1

Legend plates for pistol type handles

Holder	Text	Type	Order number	Units/ type [pcs]
Black		OPB3	1SCA022679R3410	1
Yellow		OPY3	1SCA022695R0450	1
Lettering plate				
Silver	<i>Blanco</i>	OPX3	1SCA022679R3500	1
Silver	Pääkytkin	OPX3FI1	1SCA022695R0530	1
Silver	Main Switch	OPX3EN1	1SCA022695R0610	1
Silver	Hauptschalter	OPX3DE1	1SCA022695R0700	1
Silver	Huvudbrytare	OPX3SE1	1SCA022695R0880	1
Silver	<i>Customer's own text,</i>	OPX3/TEXT	1SCA022696R6370	1

Handle support

Suitable for OT 160

For direct mounting of OH_65, 80 handles on the switch mechanism.
The type and the ordering numbers are for one piece.

Colour	Height from the bottom of the switch	Type	Order number	Delivery batch [pcs]
Black	83 mm	OHZX5	1SCA22467R5060	10

Labelling accessories

Suitable for OT45E, OT63E, OT100E and OT125E

Description	Type	Order number	Units/ type [pcs]	Weight/ unit [kg]
Label carrier, snap-on fixing	ST	1SCA022407R8210	10	0.01
Description label, in a sheet 250 labels	ST-E	1SCA022407R8300	1	0.01

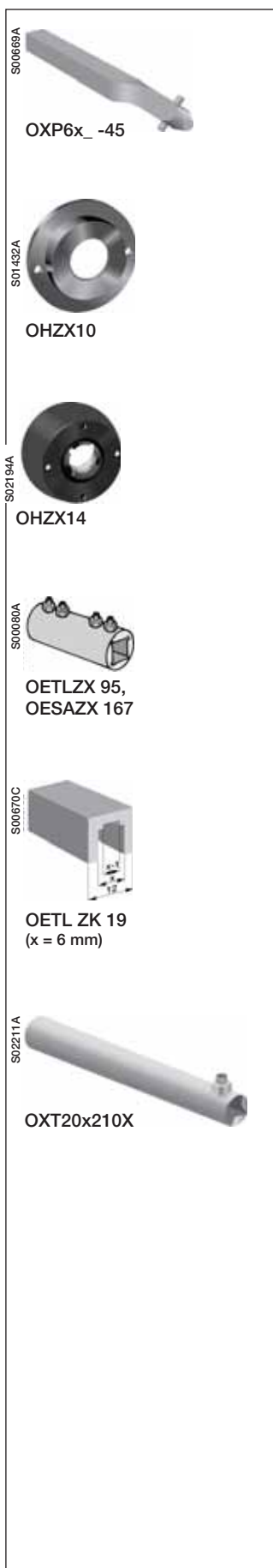
Extended shafts

The type and ordering numbers are for one piece

Shaft length [mm]	H [mm]	T [mm]	Suitable for switches	Type	Order number	Delivery batch [pcs]	Weight/unit [kg]
Shaft diameter 5 mm, for selector type handles							
85	See dimension drawings		OT16...125E	OXS5X85	1SCA022347R3570	10	0.02
105			OT16...125E	OXS5X105	1SCA022347R3650	10	0.02
120			OT16...125E	OXS5X120	1SCA022347R3730	10	0.03
130			OT16...125E	OXS5X130	1SCA022353R4540	10	0.03
160			OT16...125E	OXS5X160	1SCA022389R0170	10	0.04
180			OT16...125E	OXS5X180	1SCA022353R4620	10	0.04
250			OT16...125E	OXS5X250	1SCA022376R6670	10	0.05
330			OT16...125E	OXS5X330	1SCA022353R4710	10	0.05
Shaft diameter 5 mm, for pistol type handles							
150	See dimension drawings		OT16...125E	EXP5X150	1SCA022376R7300	10	0.05
170			OT16...125E	EXP5X170	1SCA022376R7480	10	0.05
265			OT16...125E	EXP5X265	1SCA022376R7560	10	0.08
400			OT16...125E	EXP5X400	1SCA022376R7640	10	0.12
Shaft diameter 6 mm ¹⁾							
130	105 ... 135		OT160	EXP6X130	1SCA022057R0570	1	0.04
150	125 ... 155		OT160	EXP6X150	1SCA022295R5600	1	0.05
210	185 ... 215		OT160	EXP6X210	1SCA022295R6080	1	0.06
Shaft diameter 6 mm ¹⁾							
130	109...174		OT200...250	EXP6X130	1SCA022057R0570	1	0.04
150	129...194		OT200...250	EXP6X150	1SCA022295R5600	1	0.05
161	140...205		OT200...250	EXP6X161	1SCA022067R1760	1	0.05
210	189...254		OT200...250	EXP6X210	1SCA022295R6080	1	0.06
290	269...334		OT200...250	EXP6X290	1SCA022042R6370	1	0.08
Shaft diameter 12 mm							
166	146...226		OT315...400	EXP12X166	1SCA022325R7100	1	0.20
185	165...245		OT315...400	EXP12X185	1SCA022325R6710	1	0.20
250	230...310		OT315...400	EXP12X250	1SCA022325R6980	1	0.28
280	260...340		OT315...400	EXP12X280	1SCA022137R5140	1	0.30
325	305...385		OT315...400	EXP12X325	1SCA022042R5810	1	0.36
395	445...525		OT315...400	EXP12X395	1SCA022042R5990	1	0.43
465	439...519		OT315...400	EXP12X465	1SCA022042R6020	1	0.51
535	515...595		OT315...400	EXP12X535	1SCA022042R6110	1	0.59
Shaft diameter 12 mm							
250	230...345		OT630...800	EXP12X250	1SCA022325R6980	1	0.28
280	260...375		OT630...800	EXP12X280	1SCA022137R5140	1	0.30
325	305...420		OT630...800	EXP12X325	1SCA022042R5810	1	0.36
395	375...490		OT630...800	EXP12X395	1SCA022042R5990	1	0.43
465	445...560		OT630...800	EXP12X465	1SCA022042R6020	1	0.51
535	515...630		OT630...800	EXP12X535	1SCA022042R6110	1	0.59
Shaft diameter 12 mm ²⁾							
250	226...355		OT1000...1600	EXP12X250	1SCA022325R6980	1	0.28
280	256...385		OT1000...1600	EXP12X280	1SCA022137R5140	1	0.30
325	301...430		OT1000...1600	EXP12X325	1SCA022042R5810	1	0.36
395	371...500		OT1000...1600	EXP12X395	1SCA022042R5990	1	0.43
465	441...570		OT1000...1600	EXP12X465	1SCA022042R6020	1	0.51
535	511...640		OT1000...1600	EXP12X535	1SCA022042R6110	1	0.59
Shaft diameter 12 mm							
325	340...535		OETL2500, 3150	EXP12X325	1SCA022042R5810	1	0.36
395	410...605		OETL2500, 3150	EXP12X395	1SCA022042R5990	1	0.43
465	480...675		OETL2500, 3150	EXP12X465	1SCA022042R6020	1	0.51
535	550...745		OETL2500, 3150	EXP12X535	1SCA022042R6110	1	0.59

¹⁾ Longer shafts on request

²⁾ Wide versions OT1000-1600W
 - maximum shaft length 395 mm
 - with shafts over 280 mm, shaft tube OXT20x210X must be used



Extended shafts

Twisted shafts for pistol type handles, the shaft position is rotated 45 degrees. The type and the ordering numbers are for one piece.

Shaft length [mm]	H [mm]	Suitable for switches	Type	Order number	Delivery batch [pcs]	Weight/unit [kg]
Shaft diameter 5 mm, for pistol type handles						
150	See dimension drawings	OT16...125E	EXP5X150-45	1SCA022474R1970	10	0.05
170		OT16...125E	EXP5X170-45	1SCA022474R2270	10	0.05
265		OT16...125E	EXP5X265-45	1SCA022474R2010	10	0.08
400		OT16...125E	EXP5X400-45	1SCA022474R2190	10	0.12
Shaft diameter 6 mm						
130	109...174	OT200...250	EXP6X130-45	1SCA022355R9110	1	0.04
150	129...194	OT200...250	EXP6X150-45	1SCA022294R4400	1	0.05
210	189...254	OT200...250	EXP6X210-45	1SCA022294R4230	1	0.06
290	269...334	OT200...250	EXP6X290-45	1SCA022304R4290	1	0.08
Shaft diameter 12 mm						
250	230...310	OT315...400	EXP12X250-45	1SCA022293R9400	1	0.28
280	260...340	OT315...400	EXP12X280-45	1SCA022382R0800	1	0.30
325	305...385	OT315...400	EXP12X325-45	1SCA022304R4450	1	0.36
395	445...525	OT315...400	EXP12X395-45	1SCA022749R0640	1	0.43
465	439...519	OT315...400	EXP12X465-45	1SCA022423R1770	1	0.51
535	515...595	OT315...400	EXP12X535-45	1SCA022723R2940	1	0.59
Shaft diameter 12 mm						
250	226...355	OT1000...1600	EXP12X250-45	1SCA022293R9400	1	0.28
280	256...385	OT1000...1600	EXP12X280-45	1SCA022382R0800	1	0.30
325	301...430	OT1000...1600	EXP12X325-45	1SCA022304R4450	1	0.36
395	371...500	OT1000...1600	EXP12X395-45	1SCA022749R0640	1	0.43
465	441...570	OT1000...1600	EXP12X465-45	1SCA022423R1770	1	0.51
535	511...640	OT1000...1600	EXP12X535-45	1SCA022723R2940	1	0.59
Shaft diameter 12 mm						
325	340...535	OETL2500, 3150	EXP12X325-45	1SCA022304R4450	1	0.36
395	410...605	OETL2500, 3150	EXP12X395-45	1SCA022749R0640	1	0.43
465	480...675	OETL2500, 3150	EXP12X465-45	1SCA022423R1770	1	0.51
535	550...745	OETL2500, 3150	EXP12X535-45	1SCA022723R2940	1	0.59

Shaft alignment ring

Improves the handle operation if a handle and a shaft have been poorly aligned. The type and the ordering numbers are for one piece.

For pistol type handles OH_45...275J5...12.

Black	OHZX10	1SCA022661R3610	10	0.23
For selector type handles OH_1...3				
Black	OHZX11	1SCA022708R3610	10	0.23

Extension ring for pistol type handles

Black	OHB_	OHZX14	1SCA022851R6590	1	0.06
-------	------	--------	-----------------	---	------

Shaft tube

Supporting 12 mm shafts longer than 280 mm

OXT20x210X	1SCA103684R1001	1	1.5
------------	-----------------	---	-----

Shaft extension socket

For extending the shaft of combination attachment. The type and the ordering numbers are for one piece.

Shaft diameter [mm]	Type	Order number	Units/type [pcs]	Weight/unit [kg]
5...6	OESAZX167	1SCA022190R1560	1	0.03
12	OETLZX95	1SCA022083R5620	1	0.04

Adapter for extension socket

The adapter can be placed inside the extension socket OETLZX95.

5...6	OETLZX19	1SCA022093R1850	1	0.02
-------	----------	-----------------	---	------

Auxiliary contact blocks, IP 20

Contact numbering according to EN 50013. The type and the ordering numbers are for one piece.

Suitable for switches	Function	Type	Order number	Delivery batch ⁴⁾ [pcs]	Weight/unit [kg]
Snap-on mounting to the side of the switch $I_{th} = 16A$, cable cross section max. $2 \times 2.5 \text{ mm}^2$. Early-break type OA1G10					
Mountable on left side , max. 2 pcs					
OT 16...125E_, ET_	1NC	OA1G01	1SCA022353R4890	10	0.03
OT 16...125E_, ET_	1NC	OA1G01AU ¹⁾	1SCA022436R7830	10	0.03
Mountable on the right side , max. 2 pcs					
OT 16...125E_, ET_	1NO	OA1G10	1SCA022353R4970	10	0.03
OT 16...125E_, ET_	1NO	OA1G10AU ¹⁾	1SCA022436R7910	10	0.03
Mountable on both sides					
OT 16...32: max. 2NO+2NC, OT45...125: max. 4NO+4NC ³⁾					
OT 16...125E_	1NO+1NC	OA2G11 ²⁾	1SCA022379R8100	10	0.03
Mounting with adapter to the side of the switch $I_{th} = 16A$, cable cross section max. $2 \times 2.5 \text{ mm}^2$. Mounting with the adapter OAZX1, max. 2 blocks/side.					
OT160E_, ET_	1NO+1NC	OA2G11	1SCA022379R8100	10	0.03
Mounting with adapter on top of the switch $I_{th} = 10A$. Cable cross section $0.5 \text{ mm}^2 \dots 2 \times 2.5 \text{ mm}^2$. Insulation voltage U_i 690 V. Mounting with the adapter OEZNP1, max. 6 aux. blocks. Early break type.					
OT160E_	1NO	OBEA10	1SCA022190R3000	10	0.02
OT160E_	1NO	OBEA10AU ¹⁾	1SCA022185R3310	10	0.02
OT160E_	1NC	OBEA01	1SCA022190R3260	10	0.02
OT160E_	1NC	OBEA01AU ¹⁾	1SCA022185R3730	10	0.02

Mounting on the left side of the switch or under the mechanism cover

Mounting on the left side of the switch: Max. 8 auxiliary contact blocks with the OEA28 module

Mounting under the mechanism cover: OT200-250: Max. 4 test contacts or 2 test contacts + 2 test indication contacts. OT315-800: Max. 4 test contacts + 4 test indication contacts. OT1000-1600:

Max 4 test indication contacts + 8 test contacts. The test contacts can be used as standard auxiliary contacts as well.

OT200...1600	1NO	OA1G10	1SCA022353R4970	10	0.03
OT200...1600	1NC	OA3G01	1SCA022456R7410	10	0.03

Mounting on the mechanism cover

$I_{th} = 10A$. Cable cross section $0.5 \text{ mm}^2 \dots 2 \times 2.5 \text{ mm}^2$. Insulation voltage U_i 690 V. Early break type.

OETL2500...3150	1NO+1NC	OZ XK1	1SCA022131R8690	1	0.12
OETL2500...3150	2NO+2NC	OZ XK2	1SCA022131R8850	1	0.12
OETL2500...3150	4NO+4NC	OZ XK3 ⁵⁾	1SCA022131R9070	1	0.18
OETL2500...3150	2NO	OZ XK4	1SCA022131R9230	1	0.09
OETL2500...3150	4NO	OZ XK5	1SCA022131R9400	1	0.12
OETL2500...3150	8NO	OZ XK6 ⁶⁾	1SCA022131R9660	1	0.18

Performance data according to IEC 60947-5-1

For OA1G_, OA2G_, OA3G_						For OBEA_ and OZ XK_				
Ue/[V]	AC15 le/[A]	Ue/[V]	DC12 le/[A] P/[W]		DC13 le/[A] P/[W]		AC12 Ue/[V] le/[A]		DC12 Ue/[V] le/[A]	
230	6	24	10	240	2	50	120	8	125	1.1
400	4	72	4	290	0.8	60	240	6	250	0.55
415	4	125	2	250	0.55	70	400	4	440	0.31
690	2	250	0.55	140	0.27	70	415	4	500	0.27
		440	0.1	44			480	3	600	0.2
							500	3		
							690	2		

¹⁾ Types AU are gold plated for extremely difficult circumstances and low voltages.

²⁾ Not mountable on the same side as the fourth pole.

³⁾ Contact numbering:

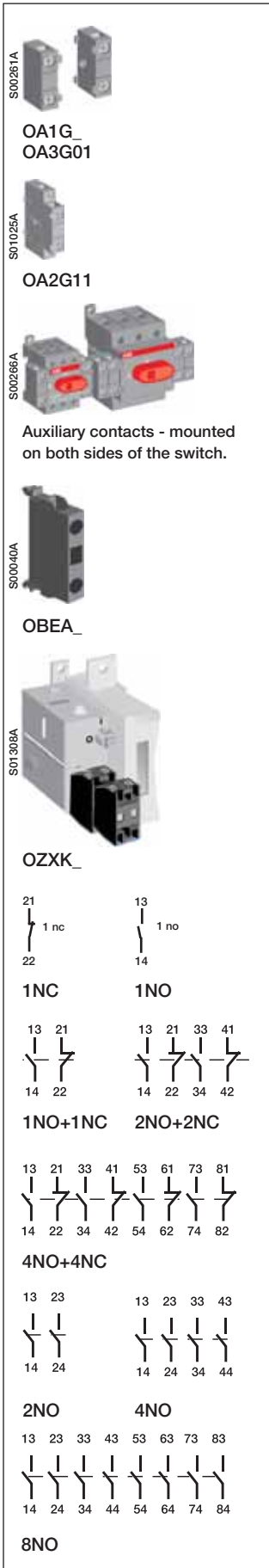
(83) (43) (53) 13 21 (61) (31) (71)
(84) (44) (54) 14 22 (62) (32) (72)

⁴⁾ Auxiliary contacts OA1G_ are available in larger packing as well. A bulk package includes 50 switches. Type number: add a suffix: /B, e.g. OA1G01/B.

⁵⁾ 8 NO + 8 NC auxiliary contacts = 2 x OZ XK 3

⁶⁾ 16 NO auxiliary contacts = 2 x OZ XK 6

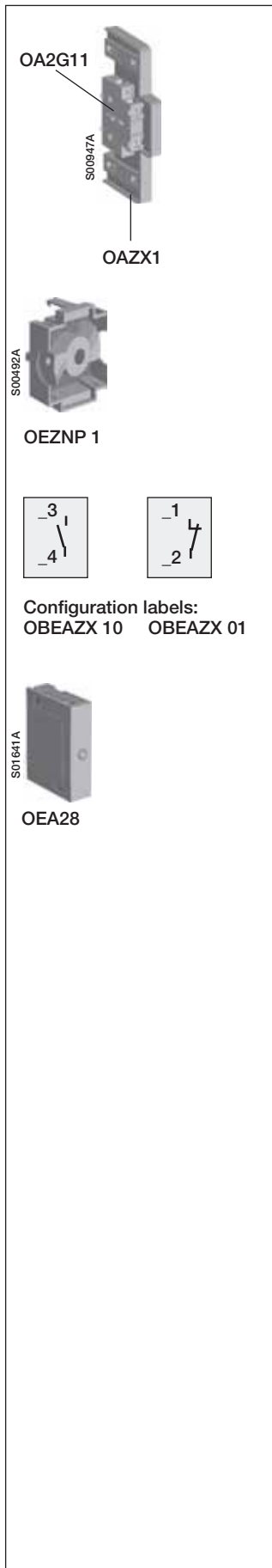
Early break type auxiliary contacts means that in the switches, the NO aux.contacts break before the main contacts open.





Auxiliary contacts Ordering information

Mounting accessories for auxiliary contacts



Suitable for switches	Type	Order number	Units/ type [pcs]	Weight/ unit [kg]
Adapter for OA2G11 with OT160 Max. two blocks/side. Mountable on either side of the switch.				
OT 160E_, ET_	OAZX1	1SCA022467R5140	1	0.03
Adapter for OBEA_ with OT160E Mountable on top of the switch.				
OT160E	OEZNP1	1SCA022259R7410	1	0.02
Numbering stickers for auxiliary contact blocks OBEA_ Required if several blocks are used. Fill numbers by pen or typewrite.				
OBEA 10, 1 NO	OBEAZX10	1SCA022264R9910	10	0.01
OBEA 01, 1 NC	OBEAZX01	1SCA022276R2470	10	0.01
Module for auxiliary contacts with OT 200...800 Screw mounting to the left side of the switch				
OT 200...1600	OEA28	1SCA022714R8810	1	0.04



Fourth poles, neutral and earth terminals, neutral links

Ordering information

Fourth poles

Mountable on the side of the switch. The type and the ordering numbers are for one piece.

Suitable for switches	Function	Type	Order number	Delivery batch [pcs]	Weight/unit [kg]
Simultaneous function with the main contacts					
OT16...32E3		OTPS32EP	1SCA022348R2480	10	0.03
OT 45...63E3		OTPS63EP	1SCA022353R5350	10	0.06
OT 100...125E3		OTPS125EP	1SCA022379R8010	10	0.14
OT 16...32ET3	7(N) L4	OTPS32ED	1SCA022353R5270	10	0.03
OT 45...63ET3		OTPS63ED	1SCA022347R4110	10	0.06
OT 100...125ET3		OTPS125ED	1SCA022379R7980	10	0.14
OT 160E3, ET3	8(N) T4	OTZNA1-160E4	1SCA022271R8310	5	0.30
OT160E3, ET3		OTPS160EP	1SCA022325R7360	1	0.30
OT200...250		OTZ250E	1SCA022735R9420	10	0.35
OT315...400		OTZ400E	1SCA022749R1960	10	0.59
OT630...800		OTZ800E	1SCA022807R5100	1	1.70
OT1000...1250		OTZ1250E	1SCA103765R1001	1	4.30
OT1600		OTZ1600E	1SCA100431R1001	1	4.54
Late-break and early-r					
OT 16...32E3	N	OTPL32EP	1SCA022353R5430	10	0.03
OT 45...63E3		OTPL63EP	1SCA022353R5600	10	0.06
OT 100...125E3		OTPL125EP	1SCA022379R8790	10	0.14
OT 16...32ET3	N	OTPL32ED	1SCA022353R5510	10	0.03
OT 45...63ET3		OTPL63ED	1SCA022371R5680	10	0.06
OT 100...125ET3		OTPL125ED	1SCA022379R8360	10	0.14

Neutral and earth terminals

Mountable on the side of the switch. The type and the ordering numbers are for one piece.

Fixed neutral

OT 16...32E3	N	OTPN32EP	1SCA022353R5780	10	0.03
OT 45...63E3		OTPN63EP	1SCA022353R5940	10	0.06
OT 100...125E3, ET3		OTPN125EP	1SCA022379R9090	10	0.14
OT 160E3, ET3		OTPN160EP	1SCA022344R9510	1	0.30
OT 16...32ET3	N	OTPN32ED	1SCA022353R5860	10	0.03
OT 45...63ET3		OTPN63ED	1SCA022371R5760	10	0.06
OT 100...125ET3		OTPN125ED	1SCA022379R8870	10	0.14

Detachable neutral

OT 16...32E3	N	OTPD32EP	1SCA022353R6080	10	0.03
OT 45...63E3		OTPD63EP	1SCA022353R6240	10	0.06
OT 100...125E3		OTPD125EP	1SCA022379R9170	10	0.14
OT 45...63ET3	N	OTPD63ED	1SCA022371R5840	1	0.06

Protective earth

OT 16...32E3	PE	OTPE32EP	1SCA022353R6320	10	0.03
OT 45...63E3		OTPE63EP	1SCA022353R6590	10	0.06
OT 100...125E		OTPE125EP	1SCA022386R6620	10	0.14
OT 160E3, ET3		OTPE160EP	1SCA022345R0010	1	0.30
OT 16...32ET3	PE	OTPE32ED	1SCA022353R6410	10	0.03
OT 45...63ET3		OTPE63ED	1SCA022393R9100	10	0.06
OT 100...125ET3		OTPE125ED	1SCA022379R9330	10	0.14

Neutral links

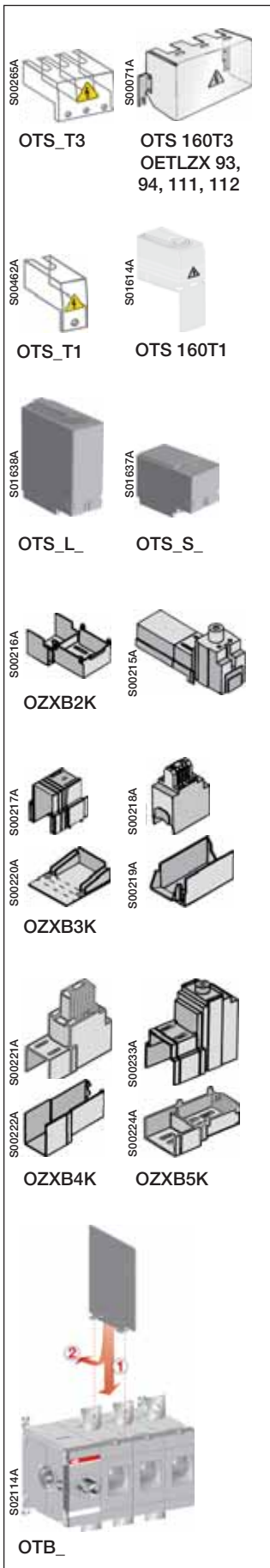
Suitable for switches	I _{th} [A]	Type	Order number	Units/type [pcs]	Weight unit [kg]
Detachable, mountable separately to the base plate					
OT200...250	250	OXN250	1SCA022752R9950	1	0.26
OT 315...400	400	OXN400	1SCA022770R3060	1	0.70
OT 630...800	800	OXN800T	1SCA022829R0840	1	0.96
Mountable separately to the base plate					
	200	OESAZX162	1SCA022193R0400	1	0.12
	315	OESAZX164	1SCA022202R9520	1	0.10
	400	OESAZX165	1SCA022202R9790	1	0.12
	1000	OESAZX160	1SCA022186R3960	1	1.00





Terminal shrouds

Ordering information



Terminal shrouds

The type and the ordering numbers are for one piece.

Suitable for switches	Type	Order number	Delivery batch [pcs]	Weight/unit [kg]
Snap-on mounting, transparent				
For 3-pole switches				
OT 16...32E3, -ET3	OTS32T3	1SCA022353R6670	10	0.01
OT45...63E3, -ET3	OTS63T3	1SCA022353R6750	10	0.01
OT 100...125E3, ET3	OTS125T3	1SCA022379R9680	10	0.01
OT160E3	OTS160T3	1SCA022495R4610	1	0.08
OETL 630	OETLZX93	1SCA022083R6430	1	0.28
OETL 800	OETLZX111	1SCA022106R7080	1	0.28
OT100...125E3 with terminal clamps OZXL1 or OZXT1	OTS125T3P	1SCA022491R9890	10	0.01
For 4-pole switches				
OT160E4	OTS160T4	1SCA022495R4700	1	0.08
OETL630	OETLZX94	1SCA022083R6600	1	0.30
OETL800	OETLZX112	1SCA022106R7240	1	0.35
For 1 to 4-pole switches, shroud for single pole and for fourth pole				
OTP_32E_	OTS32T1	1SCA022353R6830	10	0.01
OTP_63E_	OTS63T1	1SCA022353R6910	10	0.01
OTP_125E_	OTS125T1	1SCA022379R9760	10	0.01
OT160E_	OTS160T1	1SCA022691R2010	1	0.01
For OT100...125E3 with terminal clamps				
OZXL1/1 or OZXT1	OTS125T1P	1SCA022491R9970	10	0.01

Snap-on mounting, grey plastic

Pack of single pole shrouds, IP 3X. Transparent shrouds available on request.

Suitable for switches	Description	Type	Order number	Units/type [pcs]	Weight/unit [kg]
For 3-pole switches					
OT200...250	Long type	OTS250G1L/3	1SCA022731R8150	3	0.09
OT200...250	Short type	OTS250G1S/3	1SCA022731R8310	3	0.06
OT315...400	Long type	OTS400G1L/3	1SCA022736R8840	3	0.15
OT315...400	Short type	OTS400G1S/3	1SCA022736R9060	3	0.09
OT630...800	Long type	OTS800G1L/3	1SCA022776R7890	3	0.32
OT630...800	Short type	OTS800G1S/3	1SCA022776R8190	3	0.17
OT1000...1600	Long type	OTS1600G1L/3	1SCA022871R9510	3	0.003
OT1000...1600	Short type	OTS1600G1S/3	1SCA022871R9600	3	0.008
For 4-pole switches					
OT200...250	Long type	OTS250G1L/4	1SCA022731R8230	4	0.12
OT200...250	Short type	OTS250G1S/4	1SCA022731R8400	4	0.08
OT315...400	Long type	OTS400G1L/4	1SCA022736R9490	4	0.20
OT315...400	Short type	OTS400G1S/4	1SCA022736R9650	4	0.12
OT630...800	Long type	OTS800G1L/4	1SCA022776R7970	4	0.42
OT630...800	Short type	OTS800G1S/4	1SCA022776R8270	4	0.26
OT1000...1600	Long type	OTS1600G1L/4	1SCA022871R9780	4	0.012
OT1000...1600	Short type	OTS1600G1S/4	1SCA022871R9860	4	0.012

Terminal shrouds for terminal clamps

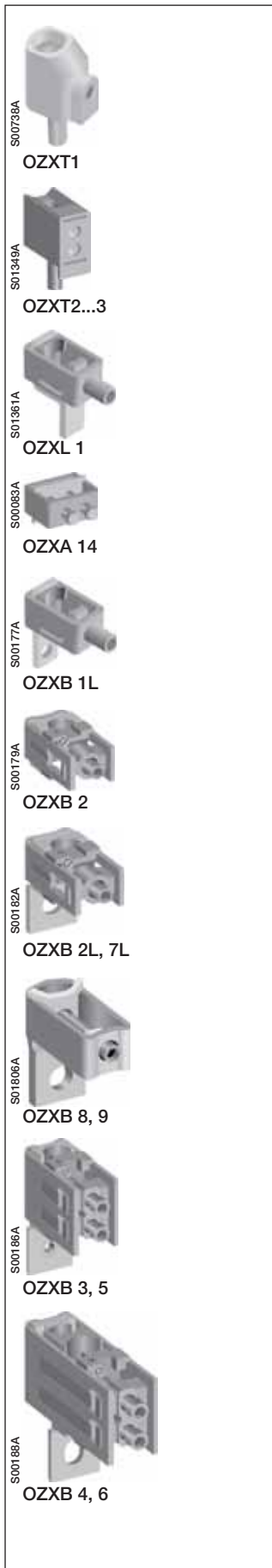
Snap-on mounting, transparent plastic, IP 2X.

Suitable for terminal clamps	Type	Order number	Units/type [pcs]	Weight/unit [kg]
OZXB2, 2L	OZXB2K	1SCA022264R0010	3	0.05
OZXB3, 4	OZXB3K	1SCA022264R0440	3	0.20
OZXB5, 6	OZXB4K	1SCA022199R2850	3	0.24
OZXB7, 7L	OZXB5K	1SCA022283R8040	3	0.13

Phase separators

Grey plastic plate for maintaining 1" clearance between the phases without terminal shrouds. Snap-on mounting. The package includes 6 plates.

Suitable for switches	Type	Order number	Units/type [pcs]	Weight/type [kg]
OT600U, OT630...800E, 3- and 4-pole	OTB800/6	1SCA022821R7760	6	0.35
OT1000...1600, 3- and 4-pole	OTB1600/6	1SCA100768R1001	6	0.50



Terminal clamps

Suitable for switches	Cable cross section [mm ²]	I _n 690V [A]	Type	Order number	Units/ type [pcs]	Weight/ unit [kg]
-----------------------	--	-------------------------	------	--------------	-------------------	-------------------

Terminal clamp sets for Al- and Cu-cables

OT45...125	16...50 Al 2.5...50 Cu	80	OZXT1	1SCA022469R6310	3 3	0.05
OT100...160E	16...120 Al/Cu	200	OZXT2	1SCA022620R7200	3	0.21
	2x(6...50) Al/Cu	200	OZXT3	1SCA022639R0720	3	0.21
OT100...125E	10...70Al/Cu		OZXL1	1SCA022439R6770	3	0.14
	10...70Al/Cu		OZXL1/1	1SCA022469R6220	1	0.05

Terminal clamp sets for Cu-cables

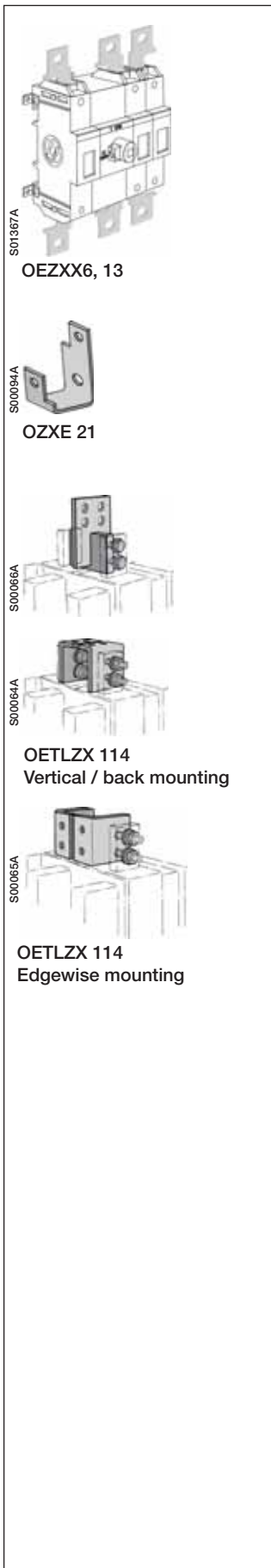
OT 630, 800	95...240 Cu		OZXA14	1SCA022008R7810	6	
-------------	-------------	--	--------	-----------------	---	--

Terminal clamp sets for Al- and Cu-cables

Suitable for switches	Cable cross section [mm ²]	Suitable shroud	Type	Order number	Units/ type [pcs]	Weight/ unit [kg]	
OT200...250	10...70	OTS250_L	OZXB1L	1SCA022169R2030	3	0.15	
		OTS250_L	OZXB1L/1	1SCA022194R0030	1	0.05	
		OZXB2K	OZXB2	1SCA022119R7610	3	0.34	
		25...120	OZXB2K	OZXB2/1	1SCA022194R0200	1	0.12
		25...120	OZXB2K	OZXB2L	1SCA022158R7750	3	0.43
		25...120	OZXB2K	OZXB2L/1	1SCA022194R0460	1	0.15
		95...185	OTS250_L	OZXB8	1SCA022744R1510	3	0.50
		95...185	OTS250_L	OZXB8/1	1SCA022744R1600	1	0.15
		95...240	OTS250_L	OZXB9	1SCA022750R3210	3	0.50
		95...240	OTS250_L	OZXB9/1	1SCA022750R3300	1	0.14
OT315...400	25...120	OZXB2K	OZXB2L	1SCA022158R7750	3	0.43	
		OZXB2K	OZXB2L/1	1SCA022194R0460	1	0.15	
		OZXB3K	OZXB3	1SCA022136R8100	3	1.28	
		OZXB3K	OZXB3/1	1SCA022194R0620	1	0.13	
		2x(95...185)	OZXB3K	OZXB4	1SCA022137R4760	3	1.71
		2x(95...185)	OZXB3K	OZXB4/1	1SCA022194R0890	1	0.60
		120...240	OZXB5K	OZXB7	1SCA022185R0040	3	1.00
		120...240	OZXB5K	OZXB7/1	1SCA022194R1430	1	0.34
		120...240	OZXB5K	OZXB7L	1SCA022185R7130	3	1.20
		120...240	OZXB5K	OZXB7L/1	1SCA022194R1600	1	0.39
		95...185	OTS400_L	OZXB8	1SCA022744R1510	3	0.50
		95...185	OTS400_L	OZXB8/1	1SCA022744R1600	1	0.15
		95...240	OTS400_L	OZXB9	1SCA022750R3210	3	0.50
		95...240	OTS400_L	OZXB9/1	1SCA022750R3300	1	0.14
OT630...800	120...300	OZXB4K	OZXB5	1SCA022137R2470	3	2.22	
		OZXB4K	OZXB5/1	1SCA02194R1010	1	0.80	
		2x(120...300)	OZXB4K	OZXB6	1SCA022137R4920	3	3.03
		2x(120...300)	OZXB4K	OZXB6/1	1SCA022194R1270	1	1.00
OT1000...1600	95...185	OTS1600_L	OZXB3	1SCA022136R8100	3	1.28	
		OTS1600_L	OZXB3/1	1SCA022194R0620	1	0.13	
		2x(95...185)	OTS1600_L	OZXB4	1SCA022137R4760	3	1.71
		2x(95...185)	OTS1600_L	OZXB4/1	1SCA022194R0890	1	0.60
		120...300	OTS1600_L	OZXB5	1SCA022137R2470	3	2.22
		120...300	OTS1600_L	OZXB5/1	1SCA022194R1010	1	0.80
		2x(120...300)	OTS1600_L	OZXB6	1SCA022137R4920	3	3.03
		2x(120...300)	OTS1600_L	OZXB6/1	1SCA022194R1270	1	1.00
		120...240	OTS1600_L	OZXB7L	1SCA022185R7130	3	1.20
		120...240	OTS1600_L	OZXB7L/1	1SCA022194R1600	1	0.39
OETL1250...3150	95...185	OZXB3K	OZXB3	1SCA022136R8100	3	1.28	
		OZXB3K	OZXB3/1	1SCA022194R0620	1	0.13	
		2x(95...185)	OZXB3K	OZXB4	1SCA022137R4760	3	1.71
		2x(95...185)	OZXB3K	OZXB4/1	1SCA022194R0890	1	0.60
		120...300	OZXB4K	OZXB5	1SCA022137R2470	3	2.22
		120...300	OZXB4K	OZXB5/1	1SCA022194R1010	1	0.80
		2x(120...300)	OZXB4K	OZXB6	1SCA022137R4920	3	3.03
		2x(120...300)	OZXB4K	OZXB6/1	1SCA022194R1270	1	1.00

• More information on Al/Cu terminal clamps, see the catalogue OZX1A GB.

• OT 200...400 and OETL 2500...3150 include bolt sets:
 OT 200...250, OZXE51, M8x25, 6 pcs/package
 OT 315...400, OZXE54, M10x30, 6 pcs/package
 OETL 2500...3150: OZXE 14, M12 x 60 mm, 12 pcs/package



Busbar connections

Suitable for switches	Suitable for clamps	Type	Order number	Units/ type [pcs]	Weight unit [kg]
Busbar spreader kit					
OT 160E	OZXB 2	OEZXX6	1SCA022292R6330	3	0.20
OT 160E	OZXB 2	OEZXX13	1SCA022299R9720	4	0.30
Busbars for parallel connection					
OT 160 ¹⁾	2 x OZXB2_	OZXE21	1SCA022161R8810	3	0.30

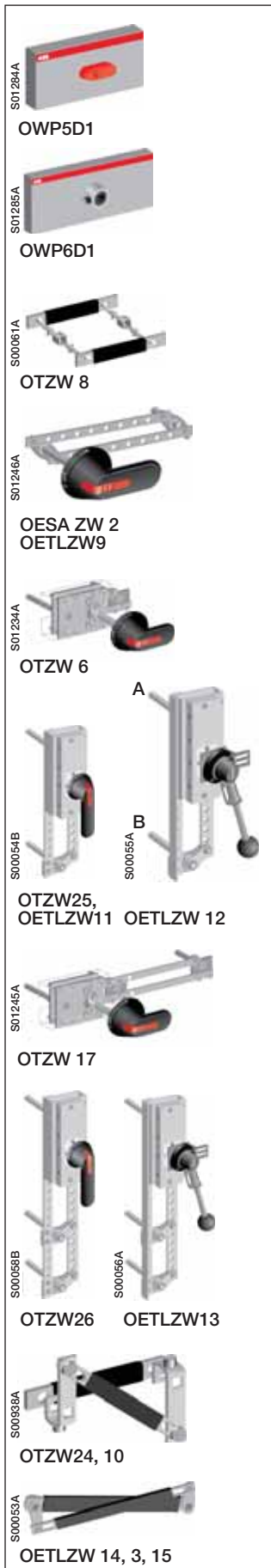
Busbar connections for OETL 2500 and OETL 3150

Busbar termination from different directions.

Suitable for switches	Type	Order number	Units/ type [pcs]	Weight unit [kg]
Vertical mounting				
3 pole	OETLZX115	1SCA022117R7770	6	21.0
4 pole	OETLZX115/1	1SCA022126R2110	8	28.0
Vertical- / back- or edgewise mounting				
3 pole	OETLZX114	1SCA022117R7510	6	14.1
4 pole	OETLZX114/1	1SCA022126R1990	8	18.8

¹⁾ OT 160 has to be provided with OEZXX6 or 13.
The part number for the fourth pole clamp: OZXB2/1

Conversion kits for front operated switch combinations



Suitable for switches	Shaft distance [mm]	Type	Order number	Units/ type [pcs]	Weight/ unit [kg]
-----------------------	---------------------	------	--------------	-------------------	-------------------

6 and 8-pole switch mechanism

Parallel attachment for connecting two 3- or 4-pole switches. The switches work simultaneously. Mounting directly on the top of two switch-disconnectors, snap-on mounting. In types OWP5D2 - D4, the switch size is printed in the kit. In type OWP5D1 there are stickers for different switch sizes which should be glued on the kit face. The fourth pole or auxiliary contacts can be mounted on the outer side of the combination.

OT16 - 32E		OWP5D1	1SCA022551R1160	1	0.03
OT16E		OWP5D2	1SCA022573R9340	1	0.03
OT25E		OWP5D3	1SCA022573R9420	1	0.03
OT32E		OWP5D4	1SCA022574R5660	1	0.03
OT45 - 63E		OWP6D1	1SCA022551R1830	1	0.07
OT100 - 125E		OWP6D2	1SCA022551R1910	1	0.09

Attachment levers provided with holes, enabling different shaft distances. The combination switches can be mounted either horizontally or vertically. Two 3 or 4-pole switches needed.

OT16 - 32	45+(0 - 12)x15	OTZW8	1SCA022421R7600	1	0.17
OT45 - 63	60+(0 - 11)x15				
OT100 - 125	75+(0 - 10)x15				
OT160	45+(0 - 11)x15	OESAZW2	1SCA022078R1600	1	0.8
OT200 - 250	45+(0 - 13)x15				
OT315 - 800	60+(0 - 19)x20	OETLZW9	1SCA022061R3300	1	1.1

Change-over switch mechanism

Two switches connected with a mechanism operating into I-O-II positions. Two 3 or 4-pole switches needed.

OT16 - 125	90+(0 - 10)x15	OTZW6	1SCA022387R1890	1	0.85
OT200 - 250	210+(0 - 18)x20	OTZW25	1SCA022778R6920	1	2.8
OT315 - 800	210+(0 - 11)x20	OETLZW11	1SCA022078R0030	1	3.0
OETL - NF800-1200	210+(0 - 20)x20	OETLZW12	1SCA022078R0200	1	4.6

By-pass switch mechanism

A combination of two switches in parallel with a third switch for change-over operation to by-pass, for example, a breaker for maintenance. The by-pass attachment can be used together with another combination attachment. Three 3 or 4-pole switches needed.

OT 16 - 125	Between 1 and 2: 90+(0 - 6)x15 Between 1 and 3: 90+(0 - 10)x15	OTZW17	1SCA022387R1620	1	0.88
OT200 - 250	Between 1 and 2: 210+(0 - 9)x20 Between 1 and 3: 250+(0 - 9)x20	OTZW26	1SCA022778R7060	1	3.3
OT315 - 800	Between 1 and 2: 210+(0 - 18)x20 Between 1 and 3: 250+(0 - 18)x20	OETLZW13	1SCA022078R0460	1	4.0

Mechanical interlock mechanism

Prevents one switch from closing to ON-position, if the other is not in OFF-position. When mounted upside down, prevents one switch from opening to OFF-position, if the other is not in ON-position. (UPS-usage, make-before-break)

Two 3-pole switches needed

OT 16 - 125	100	OTZW24	1SCA022639R5610	1	0.08
-------------	-----	--------	-----------------	---	------

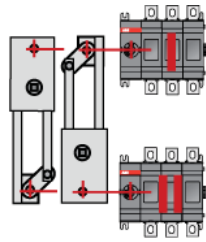
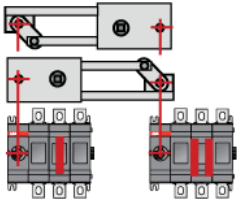
Two 4-pole switches needed

OT 160 - 250	190	OTZW10	1SCA022431R5280	1	0.40
--------------	-----	--------	-----------------	---	------

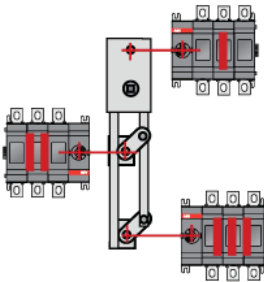
Two 3 or 4-pole switches needed

OT 315 - 400	250	OETLZW14	1SCA022077R3410	1	0.70
OT 315 - 800	300	OETLZW3	1SCA022049R0380	1	0.80
OT 315 - 1600 and	500	OETLZW15	1SCA022081R9340	1	1.24
OETL 2500 - 3150					

See the table of the handles and shafts included in the conversion kits on next page.



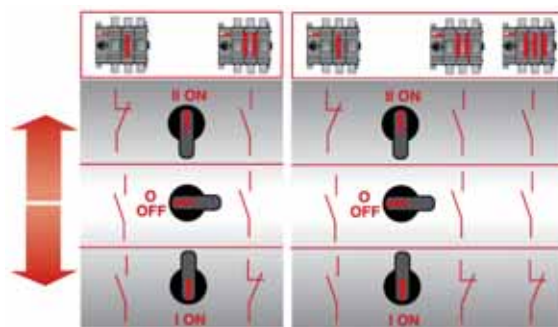
Change-over switches



Change-over and by-pass switches

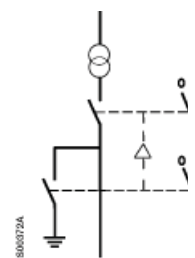
The shafts and handles for conversion kits

Conversion kit type	To be ordered separately		Included in conversion kit delivery		The standard handle or shaft of one of the combined switches can be used	
	Shaft	Handle	Shaft	Handle	Shaft	Handle
6 and 8-pole switches						
OWP5D1	x (shaft dia 5 mm)	OHB1A_	-	-	-	-
OWP5D2	x (shaft dia 5 mm)	OHB1A_	-	-	-	-
OWP5D3	x (shaft dia 5 mm)	OHB1A_	-	-	-	-
OWP5D4	x (shaft dia 5 mm)	OHB1A_	-	-	-	-
OWP6D1	x (shaft dia 6 mm)	OHB45J6	-	-	-	-
OWP6D2	x (shaft dia 6 mm)	OHB45J6	-	-	-	-
OTZW8	x (shaft dia 5 mm)	OHB65J5	-	-	-	-
OESAZW2	-	-	x (2 pcs)	OHB145J12	-	-
OETLZW9 for OT	-	-	-	-	x	x
OETLZW9 for OETL	-	YASDA7 or 8	-	-	x	-
Change-over switches						
OTZW6	-	-	x (2 pcs)	OHB80J6E011	-	-
OTZW25	-	-	x (2 pcs)	OHB95J12E011	-	-
OETLZW11	-	-	x (2 pcs)	OHB145J12E011	-	-
OETLZW12	-	-	x (2 pcs)	YASDA21 (metallic)	-	-
By-pass switches						
OTZW17	-	-	x (3 pcs)	OHB80J6E011	-	-
OTZW26	-	-	x (3 pcs)	OHB95J12E011	-	-
OETLZW13	-	-	x (3 pcs)	YASDA 6	-	-
Mechanical interlock						
OTZW24	-	-	-	-	x	x
OTZW10	-	-	-	-	x	x
OETLZW14	-	-	-	-	x	x
OETLZW3	-	-	-	-	x	x
OETLZW15	-	-	-	-	x	x

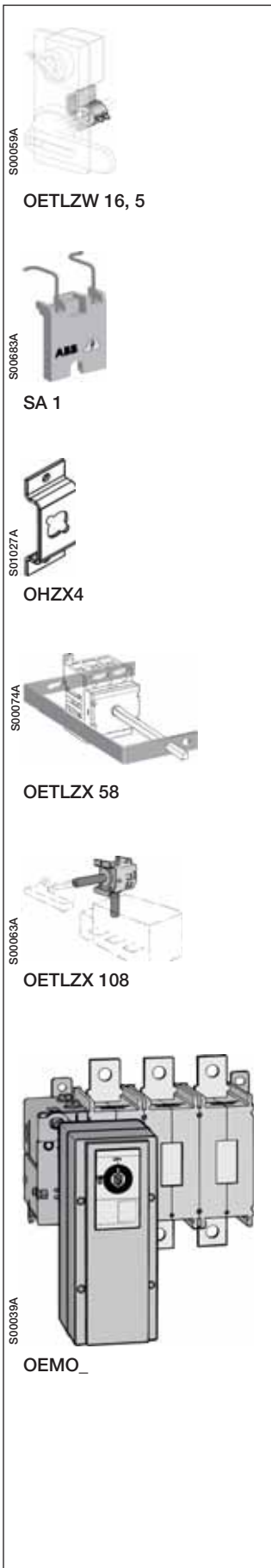


Change-over switches

By-pass switches



Mechanical interlock



Locking accessories

Cam attachment for Castell, Lowe & Fletcher and Ronis interlock

For adapting the switches to the interlock system. The interlock is not included.

Suitable for switches	Type	Order number	Units/ type [pcs]	Weight/ unit [kg]
OT16...250	OETLZW16	1SCA022093R2070	1	0.17
OETL2500...3150, OT315...1600	OETLZW5	1SCA022052R3900	1	0.14

Padlocking adapter

For a padlock with max. 3.5 mm bail.

OT45...160	SA1	1SCA022401R8230	1	0.01
------------	-----	-----------------	---	------

Door interlock bracket

Prevents defeating the door interlocking of handles.

For pistol type handles	Type	Order number	Units/ type [pcs]	Weight/ unit [kg]
OH_45...275	OHZX4	1SCA022467R2470	1	0.03

Mounting accessories

Suitable for switches	Type	Order number	Units/ type [pcs]	Weight/ unit [kg]
-----------------------	------	--------------	-------------------------	-------------------------

Shaft support for long shafts

OT16...125	OETLZX58	1SCA022068R8220	1	0.10
------------	----------	-----------------	---	------

Handle support bracket for direct mounting on the switch mechanism²⁾

OETL 2500...3150	OETLZX71 ¹⁾	1SCA022068R2700	1	0.40
------------------	------------------------	-----------------	---	------

90° angle kit, a front operated switch can be converted to a side operated switch²⁾

OETL 2500...3150	OETLZX108	1SCA022087R8430	1	2.10
------------------	-----------	-----------------	---	------

Motor operator

For remote control of the switch. The standard delivery includes complete control circuit; short cable and spare handle.

Suitable for switches	Voltage	Type	Order number	Units/ type [pcs]	Weight/ unit [kg]
OETL 2500...3150	110 VAC	OEMO004/110VAC	1SCA022182R0300	1	6.3
	230 VAC	OEMO004/230VAC	1SCA022196R9010	1	6.3

Function I-0 (ON-OFF)

OETL 2500...3150	110 VAC	OEMO004/110VAC	1SCA022182R0300	1	6.3
OETL 2500...3150	230 VAC	OEMO004/230VAC	1SCA022196R9010	1	6.3

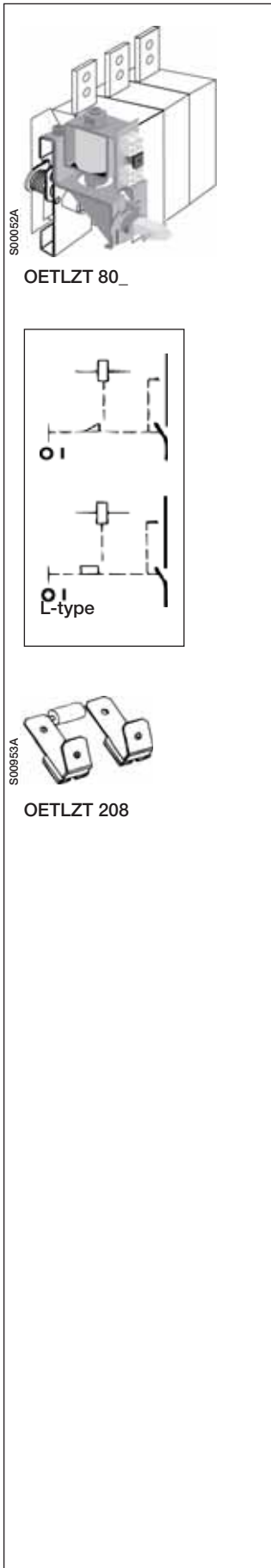
¹⁾ With metallic handle

²⁾ Mounting: OETL 2500...3150 on mounting plate, key hole fixing.
The shaft delivered with the switch can be used.



Electrical interlock

Ordering information



Electrical interlock

Closed circuit principle, for interlocking the switch movement. When the coil circuit is dead, A-types can not be switched to ON-position and L-types to ON- or OFF-position. Aux. contacts are mountable on the top of the mechanism.

Coil voltage	Type	Order number	Units/ type [pcs]	Weight/ unit [kg]
--------------	------	--------------	-------------------------	-------------------------

For OETL 2500...3150

OETLZT 80 / U_n / R: 110VAC/1000Ω, 230VAC/3900Ω, 24VDC/48Ω, 48VDC/190Ω, 60VDC/300Ω, 110VDC/1000Ω, 220VDC/3900Ω, U=0.7...1.1*U_n, P_{DC}=15 W, P_{AC} = 30VA.

A - types

24 V DC	OETLZT80A24DC	1SCA022081R1440	1	1.10
48 V DC	OETLZT80A48DC	1SCA022081R1010	1	1.10
60 V DC	OETLZT80A60DC	1SCA022081R0630	1	1.10
110 V DC	OETLZT80A110DC	1SCA022081R0210	1	1.10
220 V DC	OETLZT80A220DC	1SCA022080R9890	1	1.10
110V AC	OETLZT80A110AC	1SCA022080R9460	1	1.10
220 V AC	OETLZT80A220AC	1SCA022079R9050	1	1.10
240 V AC	OETLZT80A240AC	1SCA022384R3330	1	1.10

L - types

24 V DC	OETLZT80L24DC	1SCA022081R1280	1	1.10
48 V DC	OETLZT80L48DC	1SCA022081R0800	1	1.10
60 V DC	OETLZT80L60DC	1SCA022081R0470	1	1.10
110 V DC	OETLZT80L110DC	1SCA022081R0040	1	1.10
220 V DC	OETLZT80L220DC	1SCA022080R9620	1	1.10
110 V AC	OETLZT80L110AC	1SCA022080R9200	1	1.10
220 V AC	OETLZT80L220AC	1SCA022079R9640	1	1.10
230 V AC	OETLZT80L230AC	1SCA022375R0240	1	1.10
240 V AC	OETLZT80L240AC	1SCA022496R2040	1	1.10

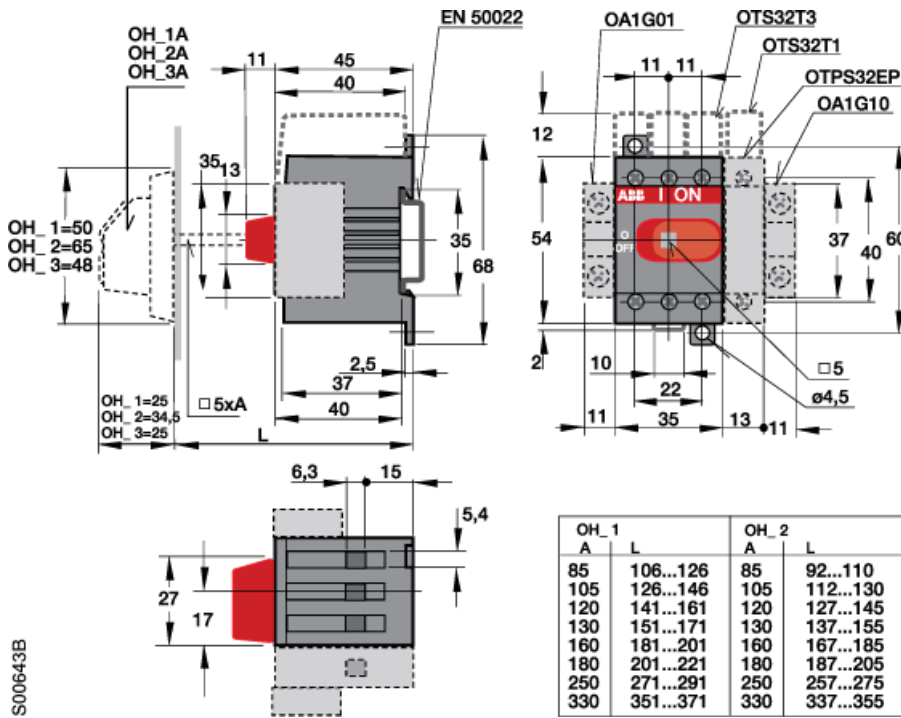
Clamping diode for DC-coils

	OETLZT208	1SCA022081R1280	1	
--	-----------	-----------------	---	--

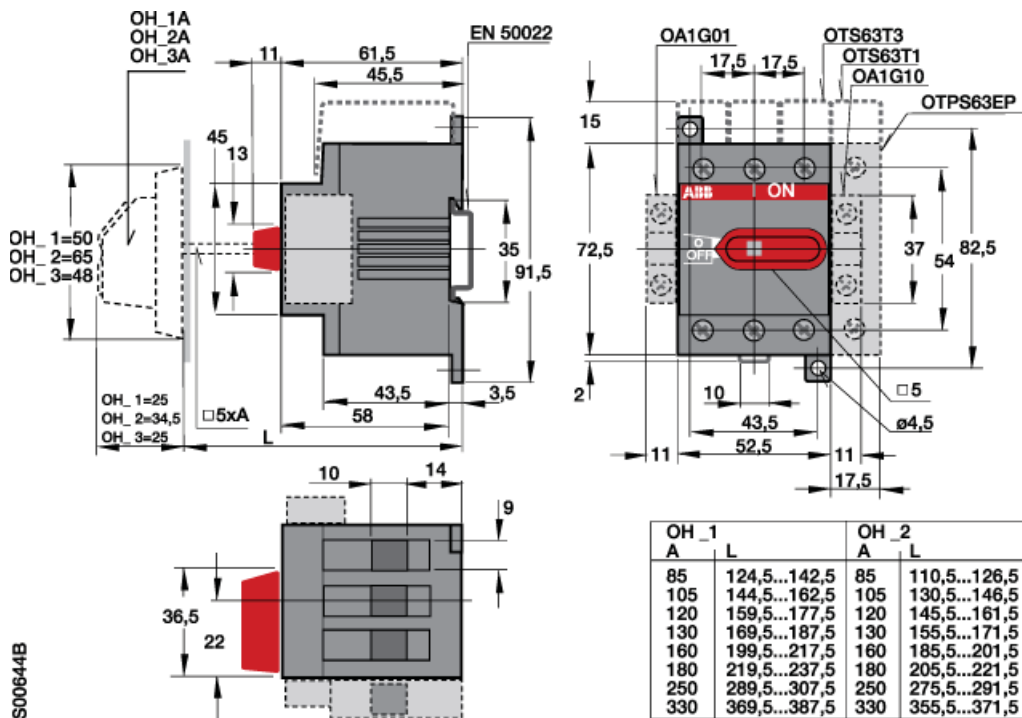


Front operated switch-disconnectors, base mounting Dimension drawings

OT 16...32E3, _E4



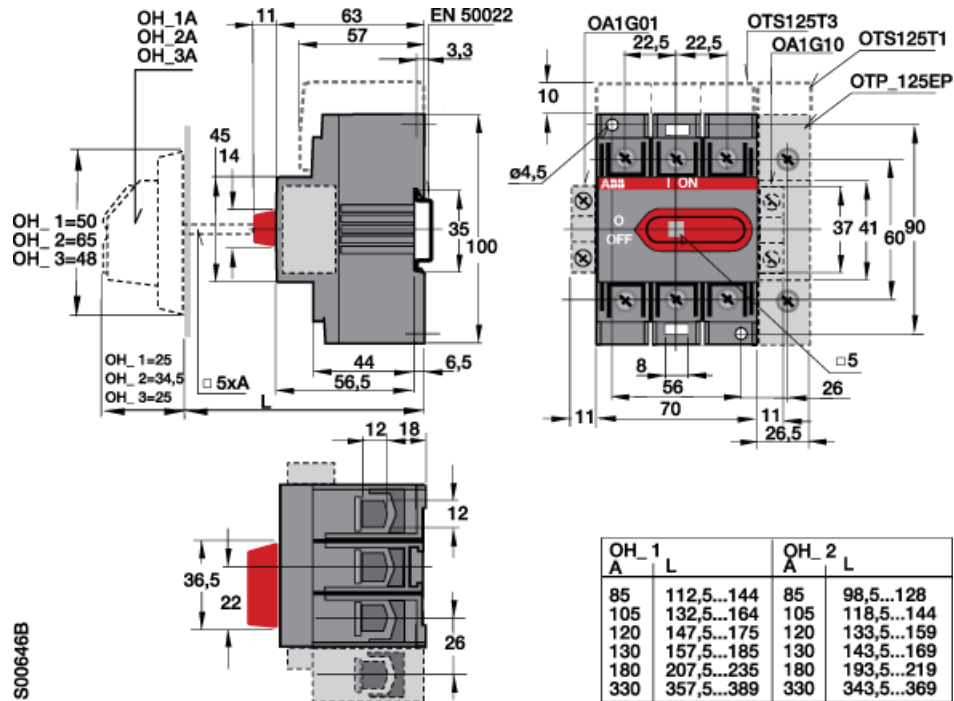
OT 45...63E3, _E4



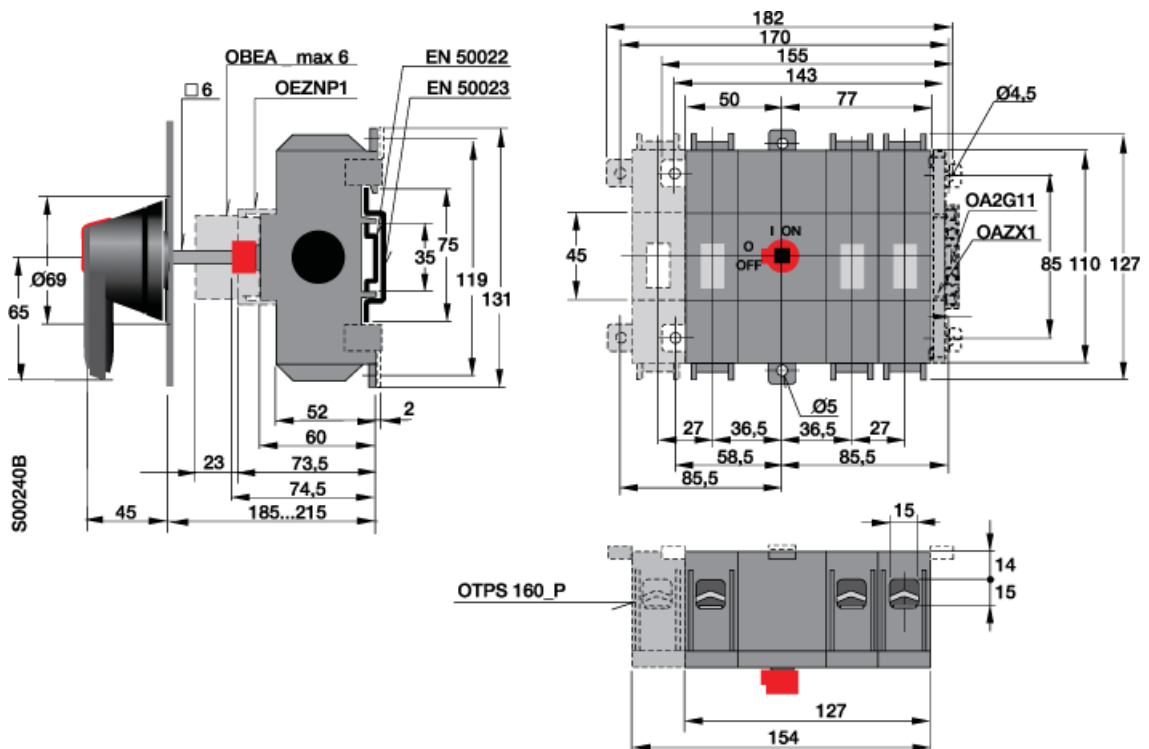


Front operated switch-disconnectors, base mounting Dimension drawings

OT 30, 60, 100, 125E3, _E4



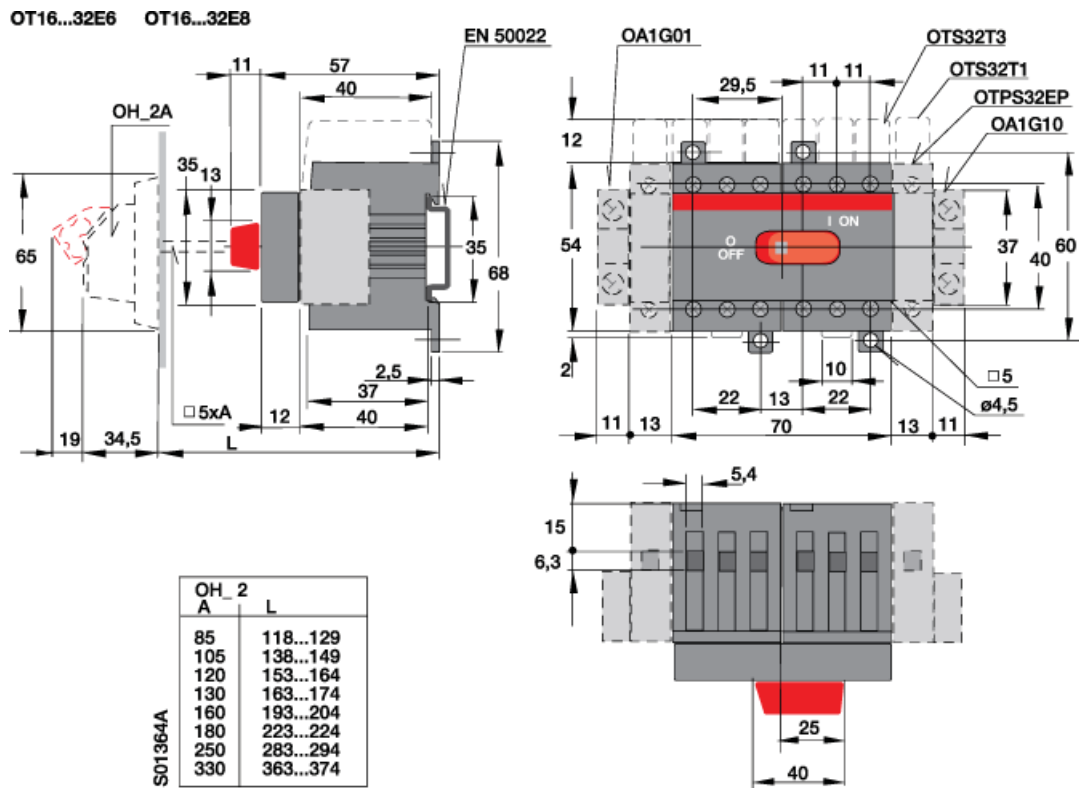
OT 160E3, -4



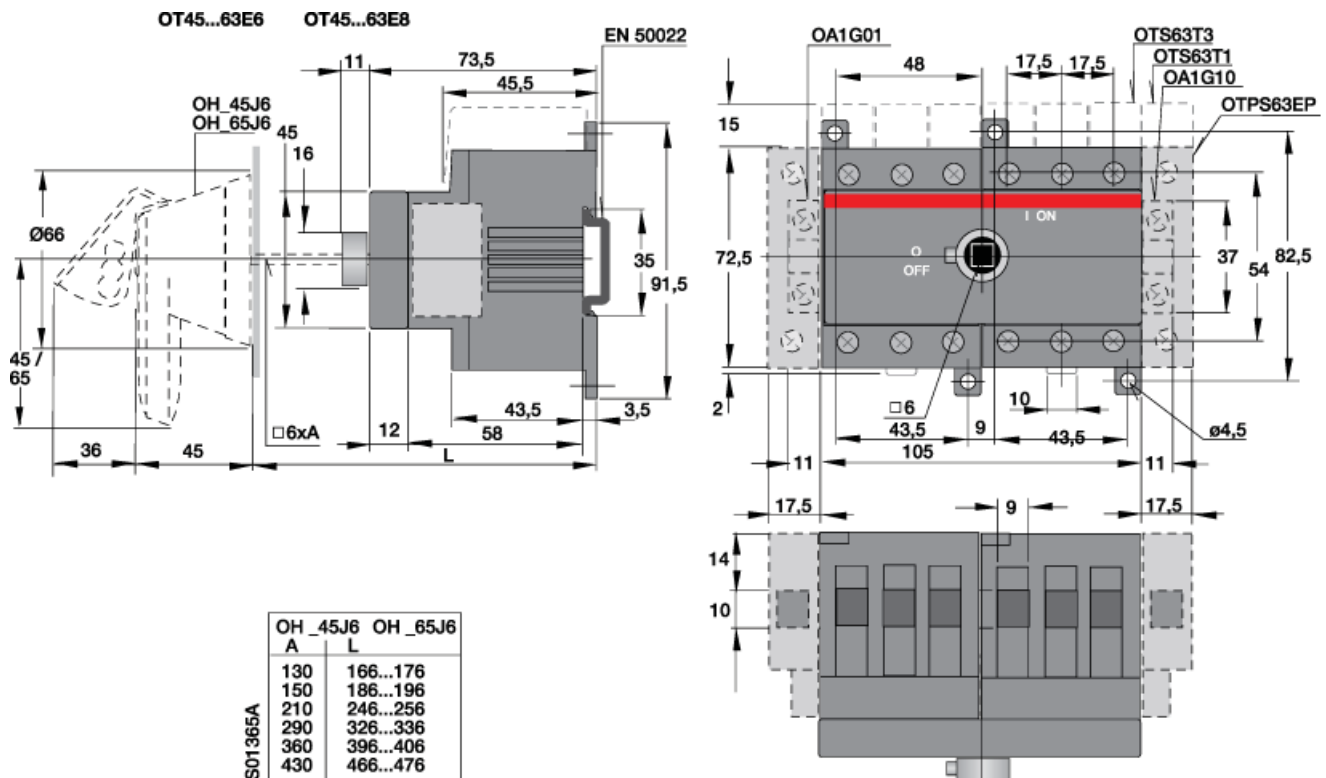


Front operated switch-disconnectors, base mounting Dimension drawings

OT 16...32E6, _E8



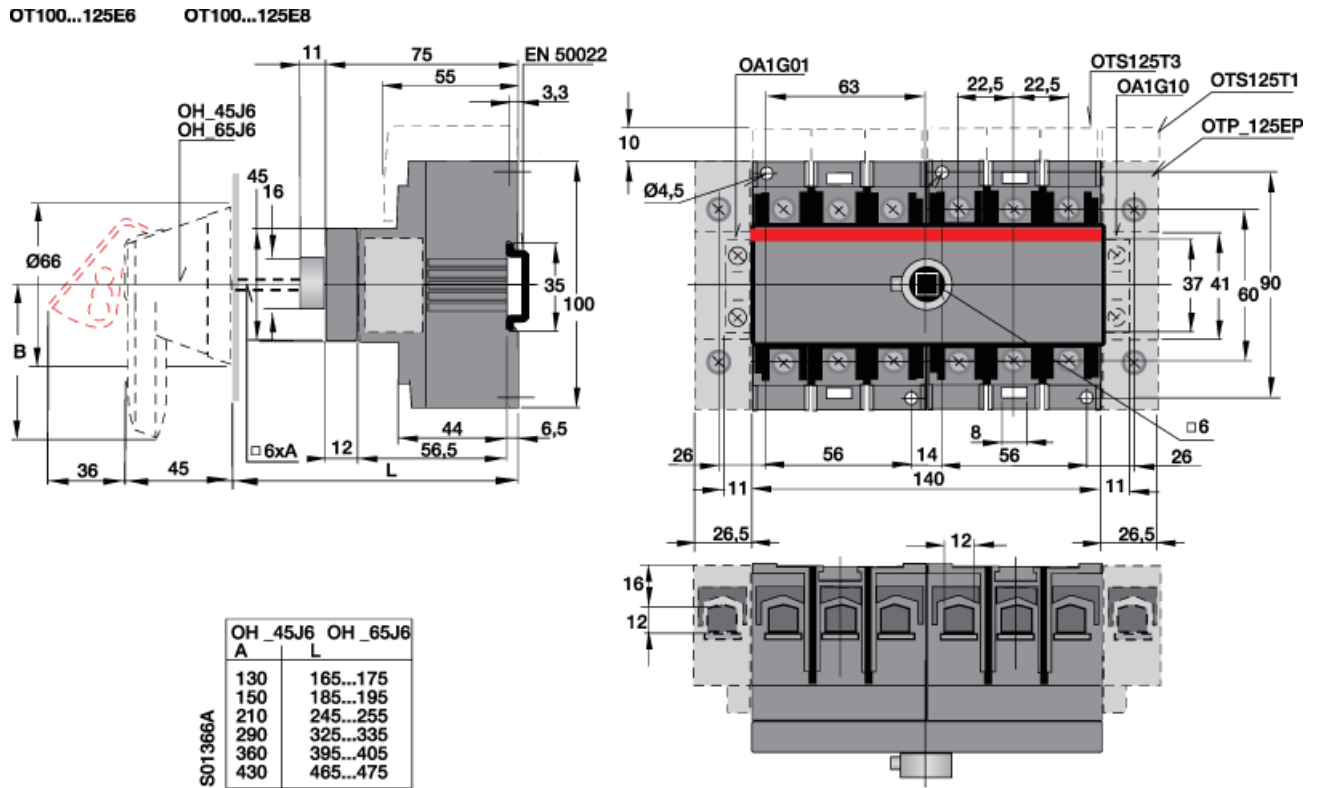
OT 45...63E6, _E8



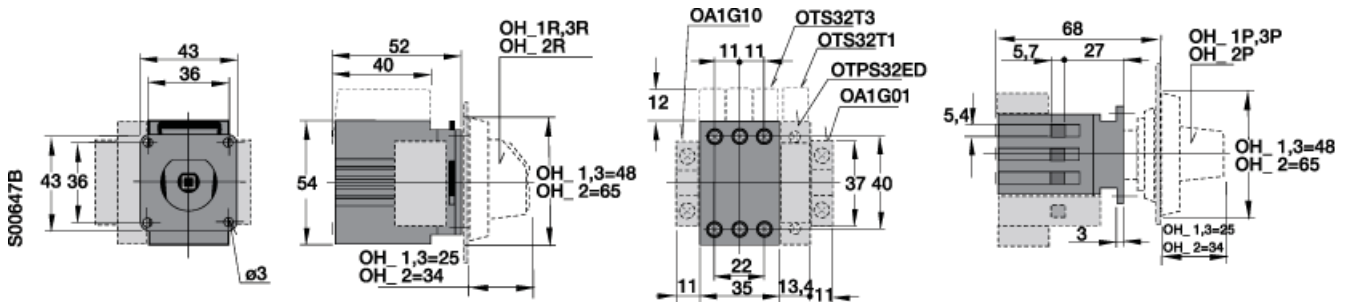


Front operated switch-disconnectors, base/door mounting Dimension drawings

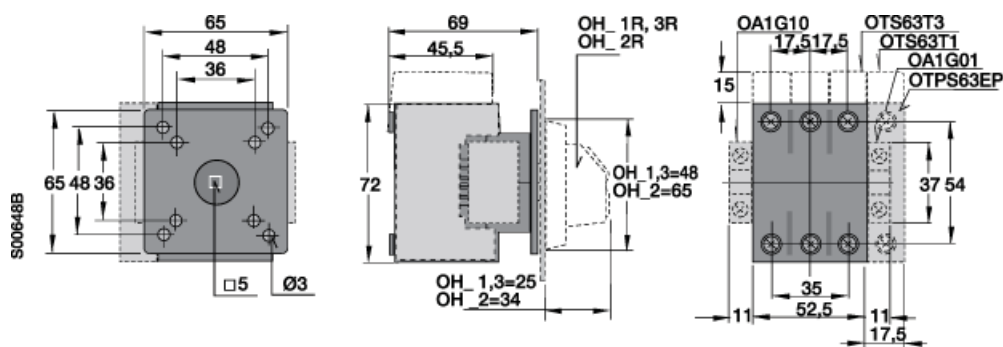
OT 100...125E6, _E8



OT 16...32ET3, _ET4



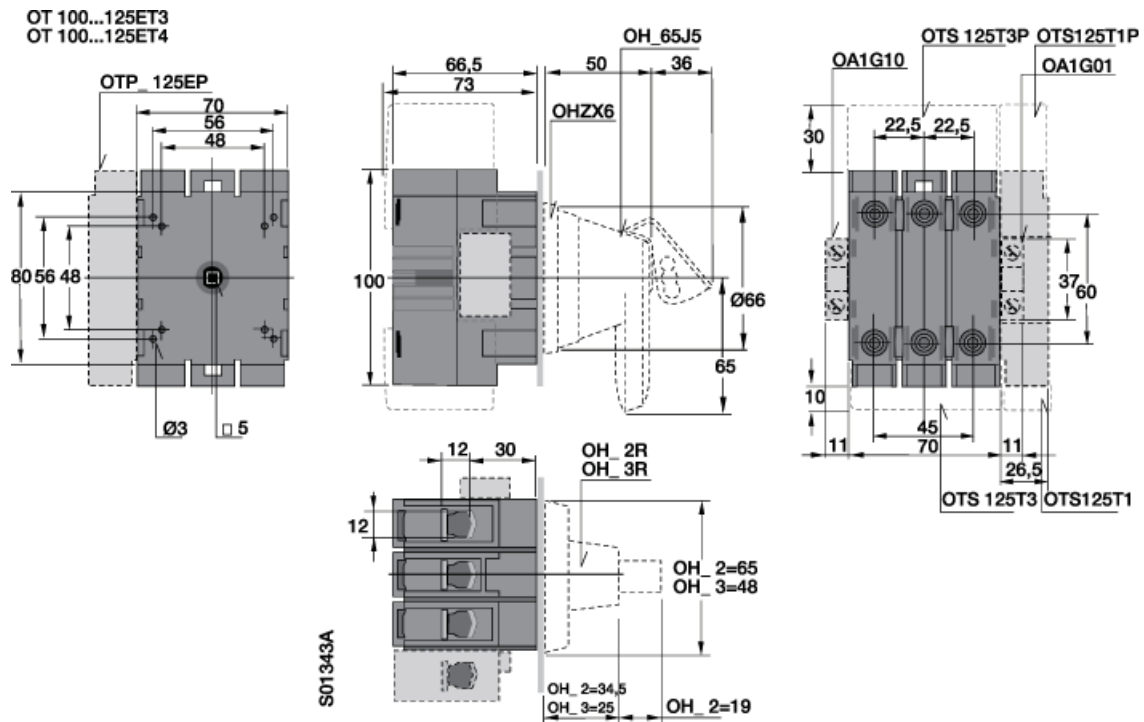
OT 45...63ET3, _ET4



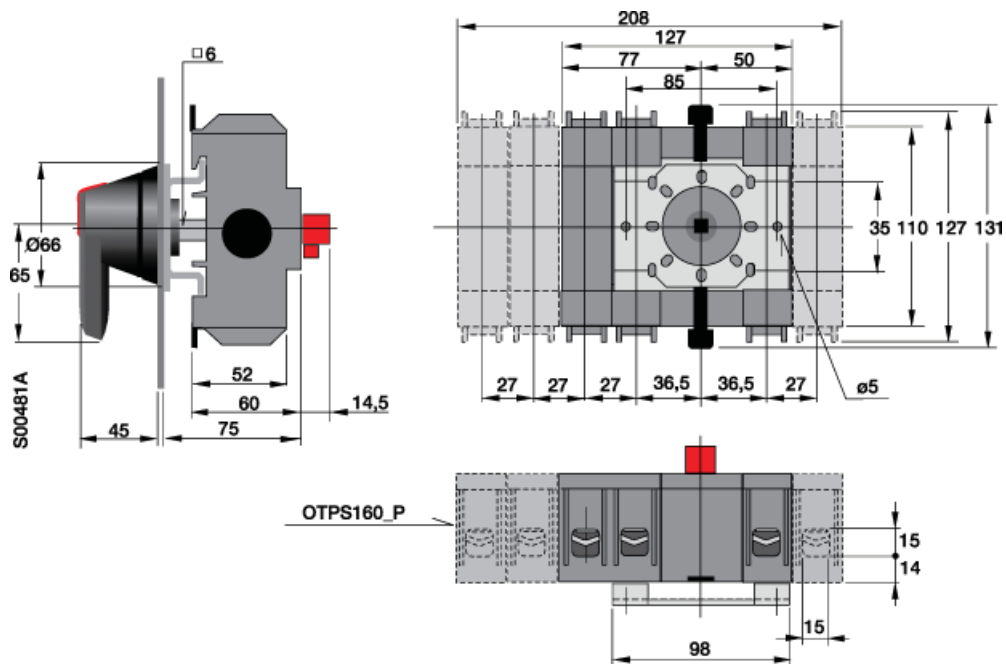


Front operated switch-disconnectors, door mounting Dimension drawings

OT 100...125ET3, _ET4



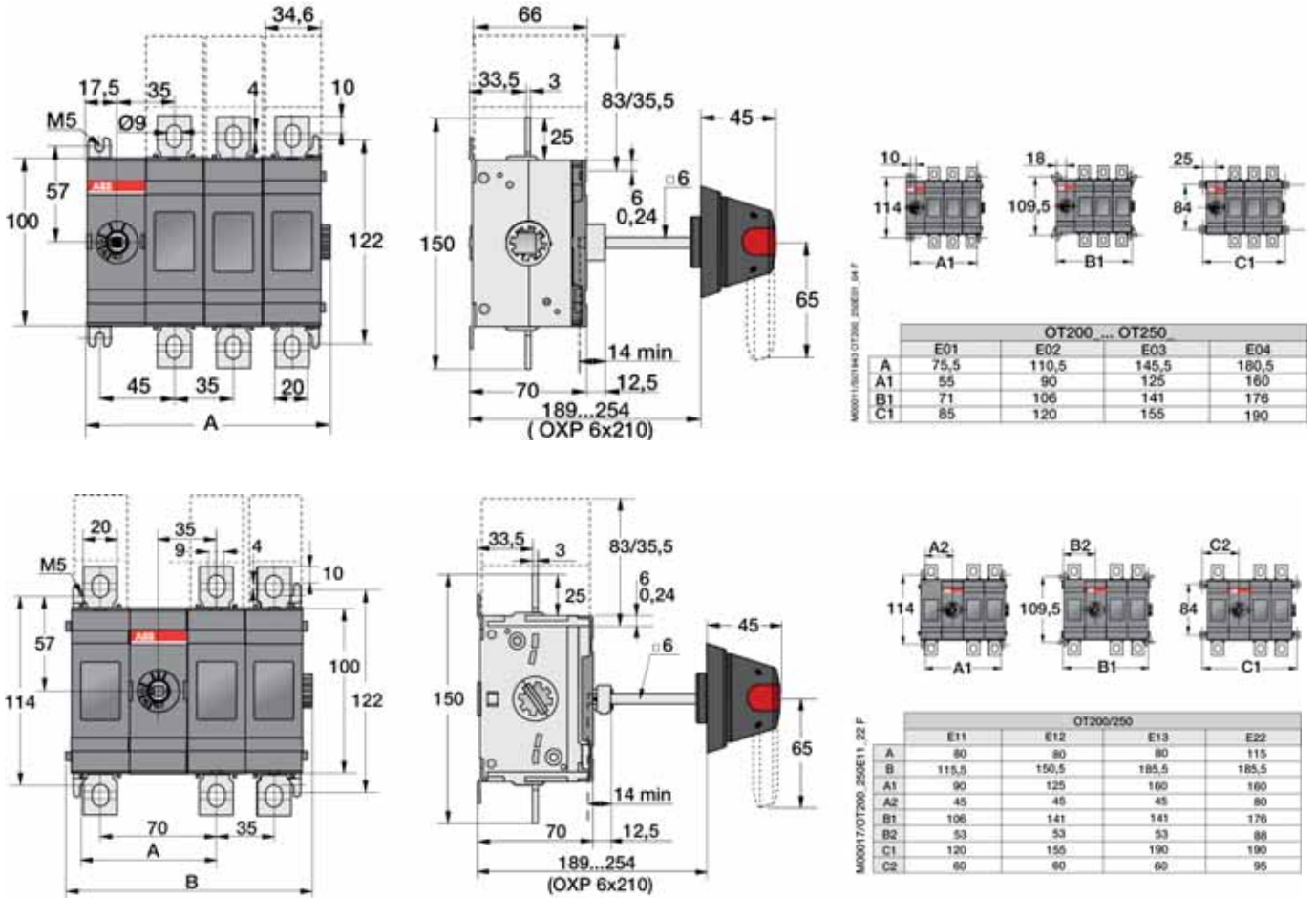
OT 160ET_



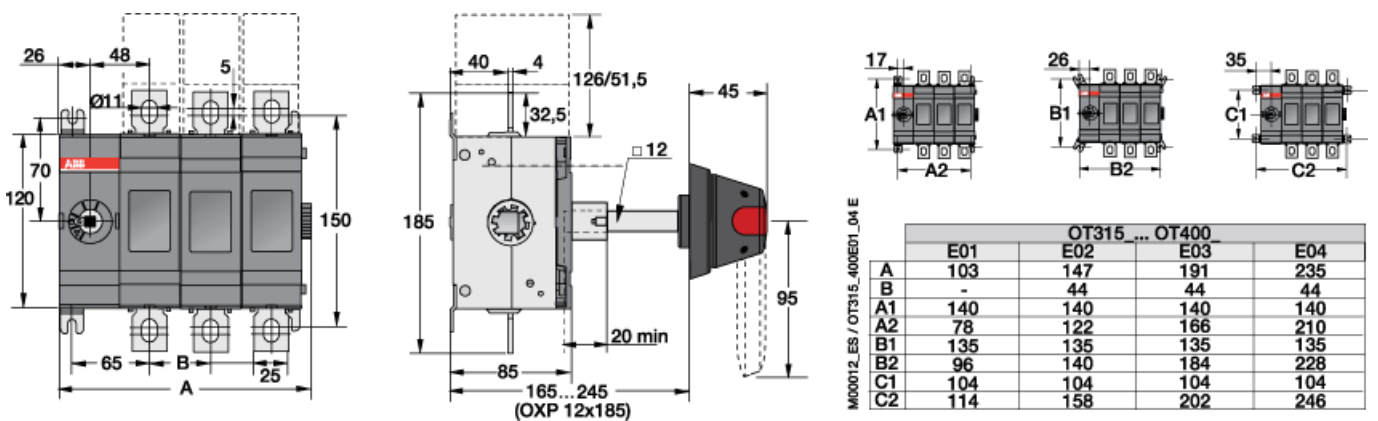


Front operated switch-disconnectors, base mounting Dimension drawings

OT 200_P and OT 250_P



OT 315_P and OT 400_P

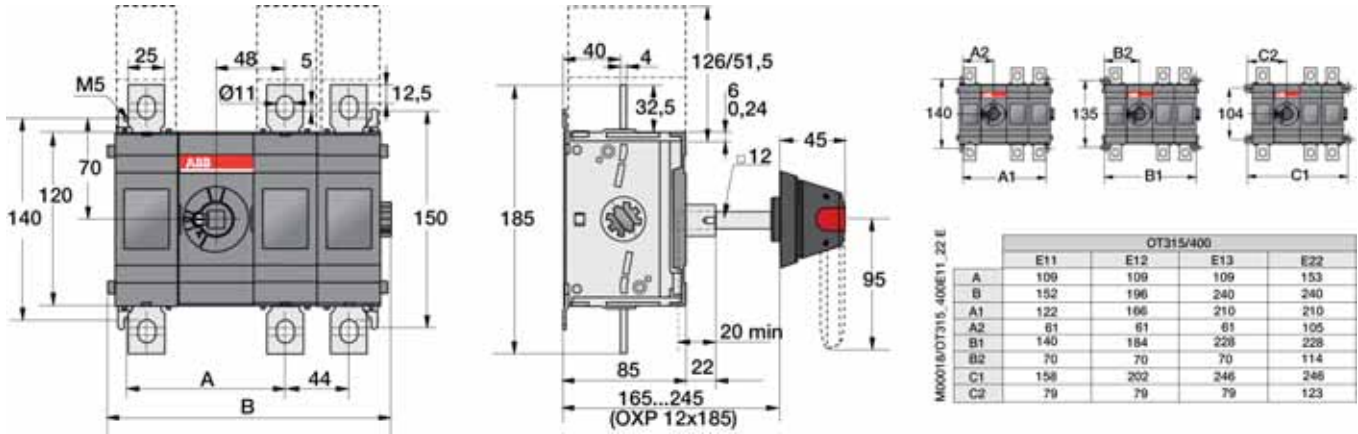




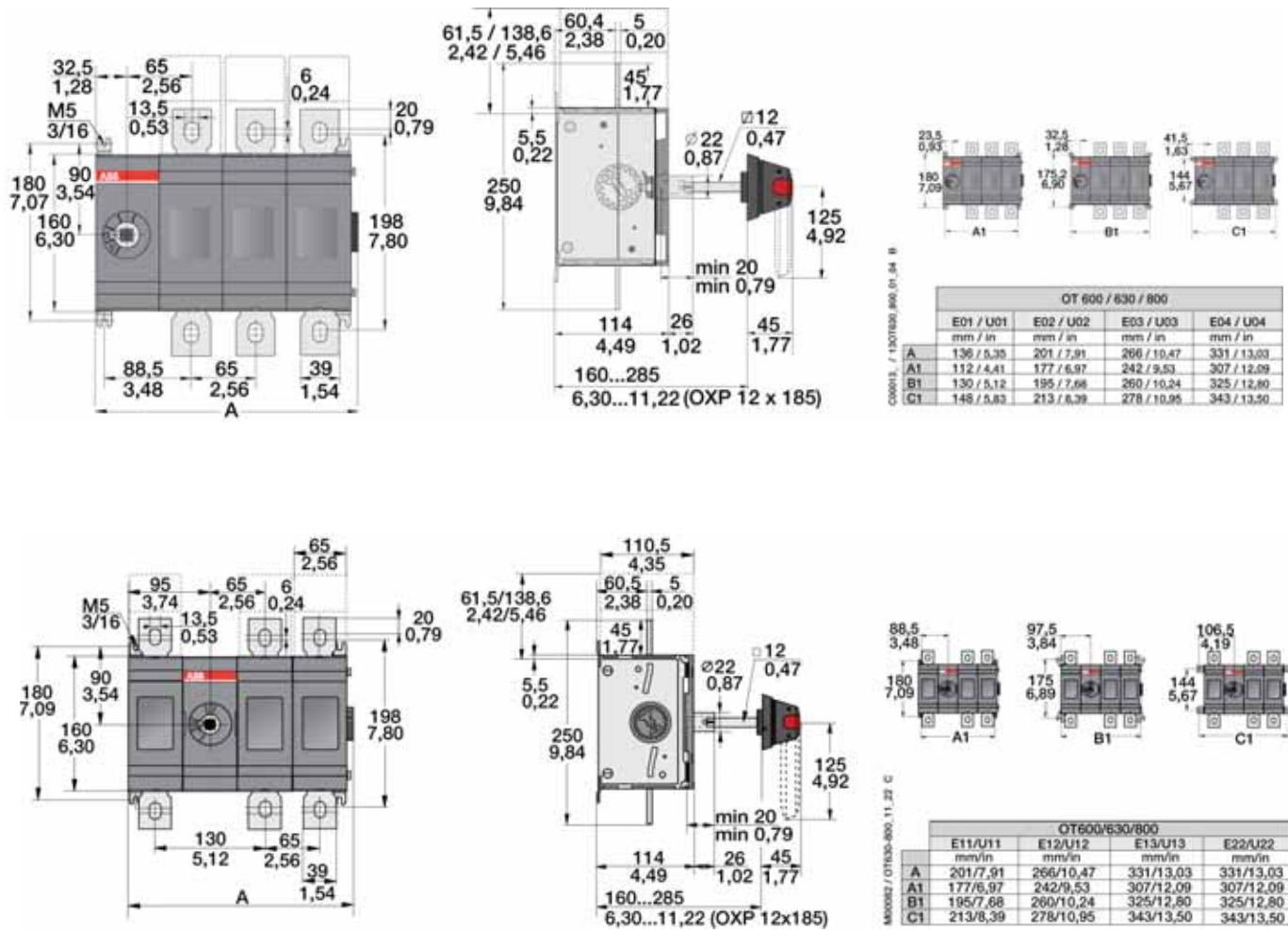
Front operated switch-disconnectors, base mounting

Dimension drawings

OT 315_P and 400_P



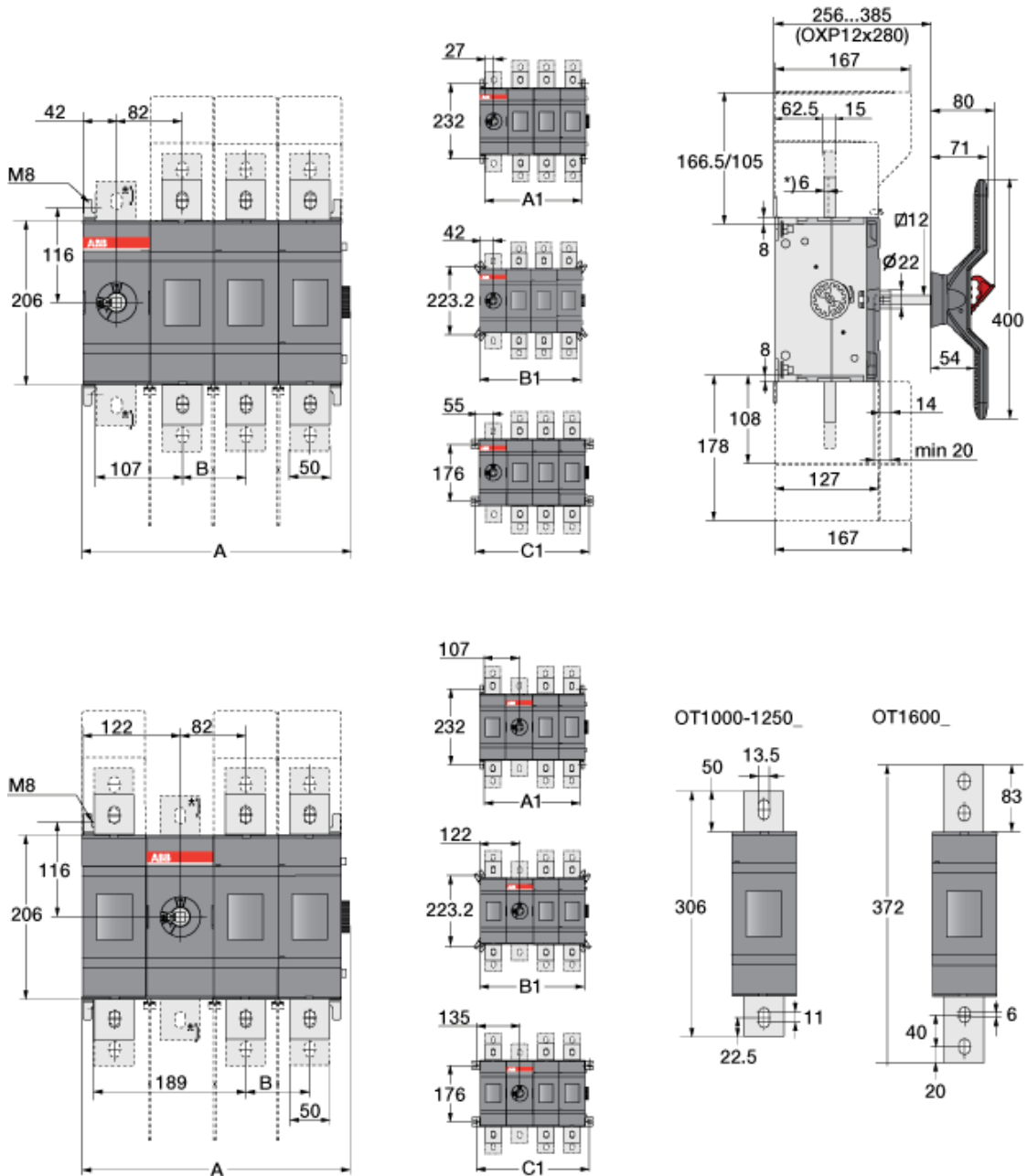
OT 630_P and OT 800_P





Front operated switch-disconnectors, base mounting Dimension drawings

OT 1000_P, OT 1250_P and OT 1600_P



*) N3 types

		OT1000/ 1250/ 1600_											
		01	02	03	04	11	12	13	22	03W4	04W4	03W8	04W8
A	mm	174.50	254.50	334.50	414.50	254.50	334.50	414.50	414.50	454.50	594.50	544.50	729.50
B	mm		80	80	80		80	80	80	140	140	185	185
A1	mm	134	214	294	374	214	294	374	374	414	554	504	689
B1	mm	164	244	324	404	244	324	404	404	444	584	534	719
C1	mm	190	270	350	430	270	350	430	430	470	610	560	745

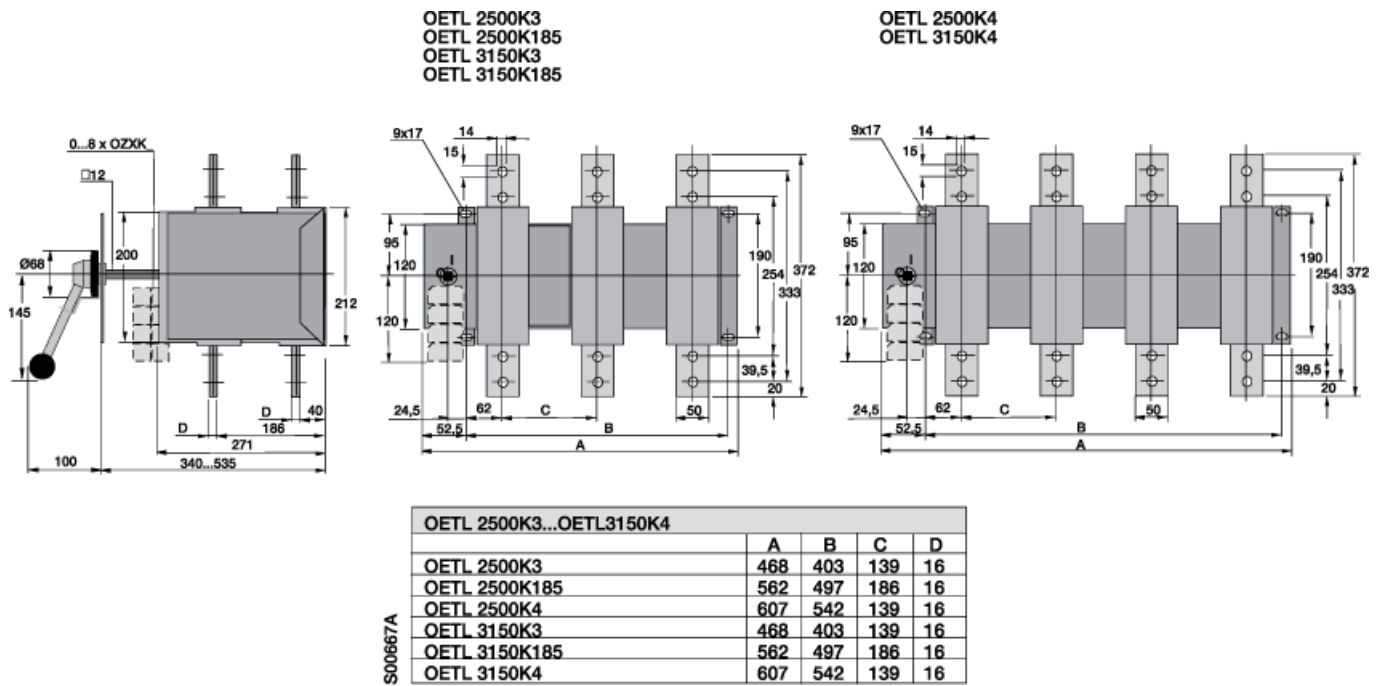
M00135/M00136/OT800L-1600E_A/KE00045



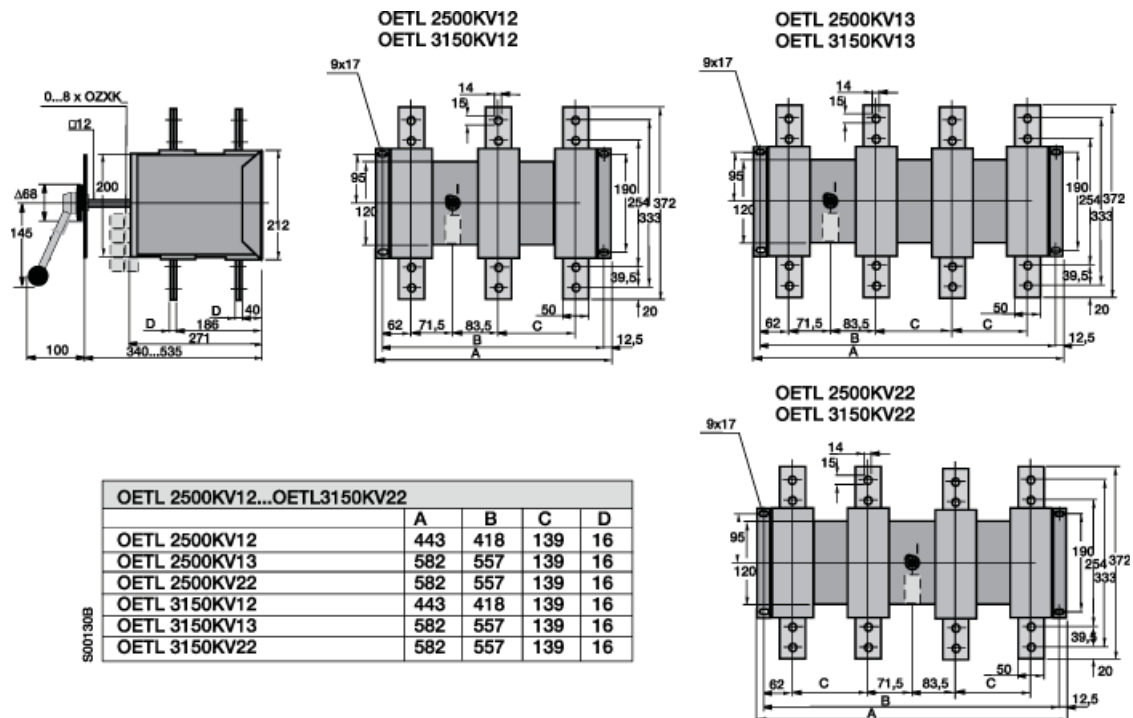
Front operated switch-disconnectors, base mounting

Dimension drawings

OETL 2500...3150 K_



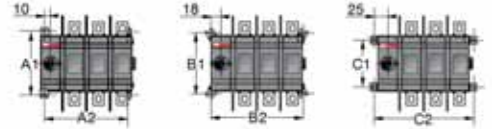
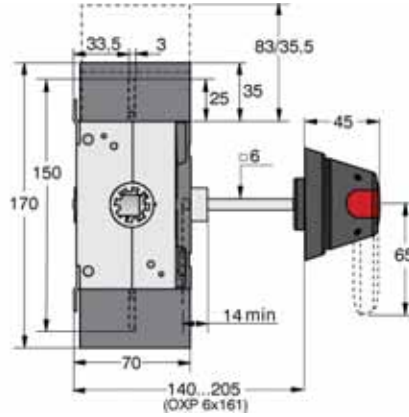
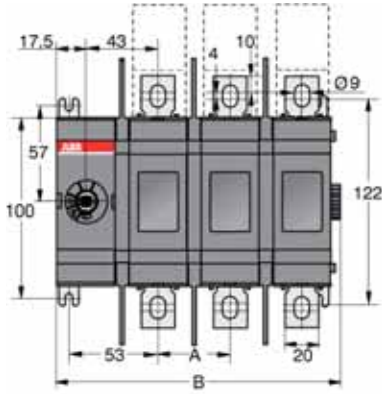
OETL 2500...3150 KV_



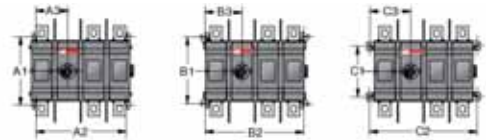
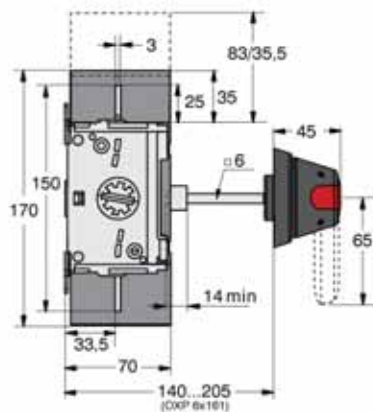
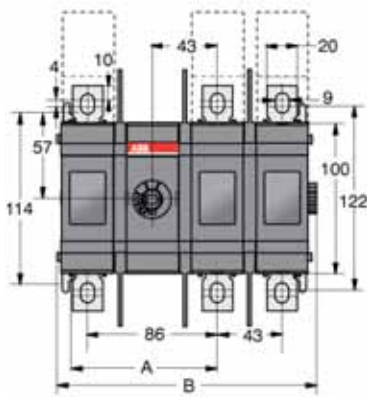


Front operated switch-disconnectors, base mounting Dimension drawings

OT 200_WP and OT 250_WP

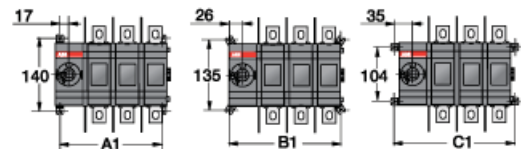
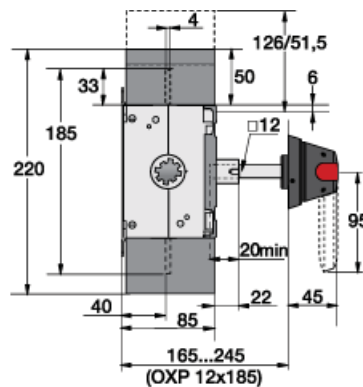
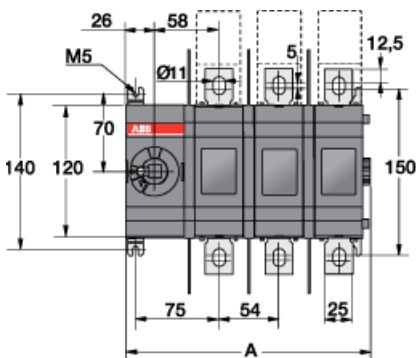


OT200/250				
	E01W	E02W	E03W	E04W
	mm	mm	mm	mm
A	-	43	43	43
B	83.5	126.5	169.5	212.5
A1	114	114	114	114
A2	63	106	149	192
B1	109.5	109.5	109.5	109.5
B2	79	122	165	208
C1	84	84	84	84
C2	93	136	179	222



OT 200/250				
	mm	mm	mm	mm
A	96	96	96	139
B	131.5	174.5	217.5	217.5
A1	114	114	114	114
A2	106	149	192	192
A3	53	53	53	96
B1	109.5	109.5	109.5	109.5
B2	122	165	208	208
B3	61	61	61	104
C1	84	84	84	84
C2	136	179	222	222
C3	68	68	68	111

OT 315_WP and OT 400_WP



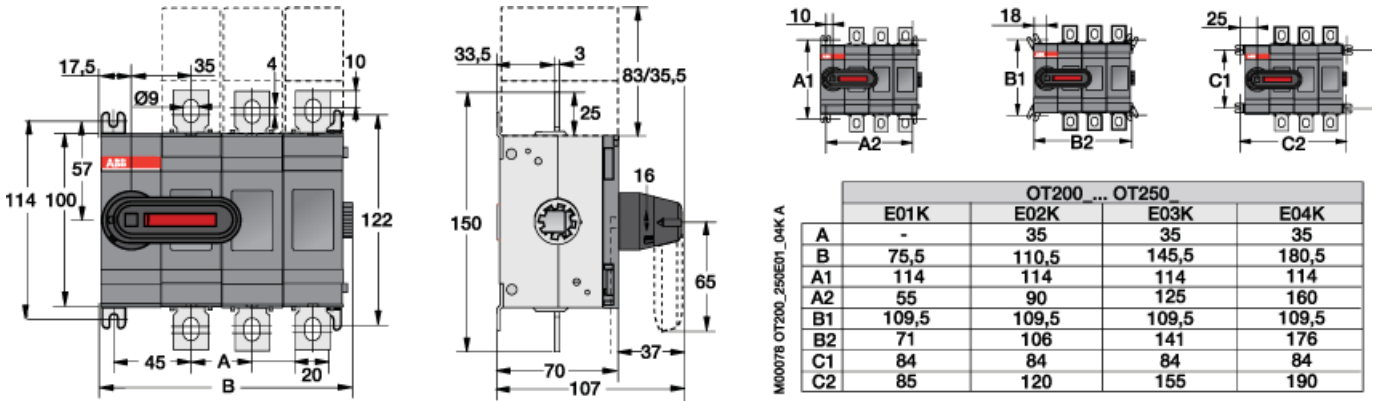
OT315/400				
	E01W	E02W	E03W	E04W
	mm	mm	mm	mm
A	113	167	221	275
A1	88	142	196	250
B1	106	160	214	268
C1	124	178	232	286



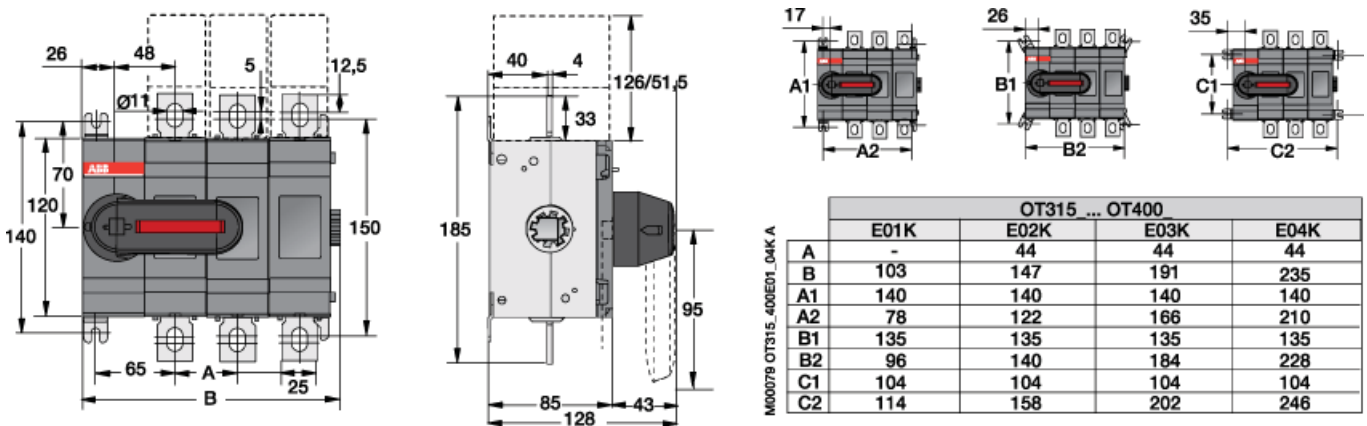
Front operated switch-disconnectors, base mounting

Dimension drawings

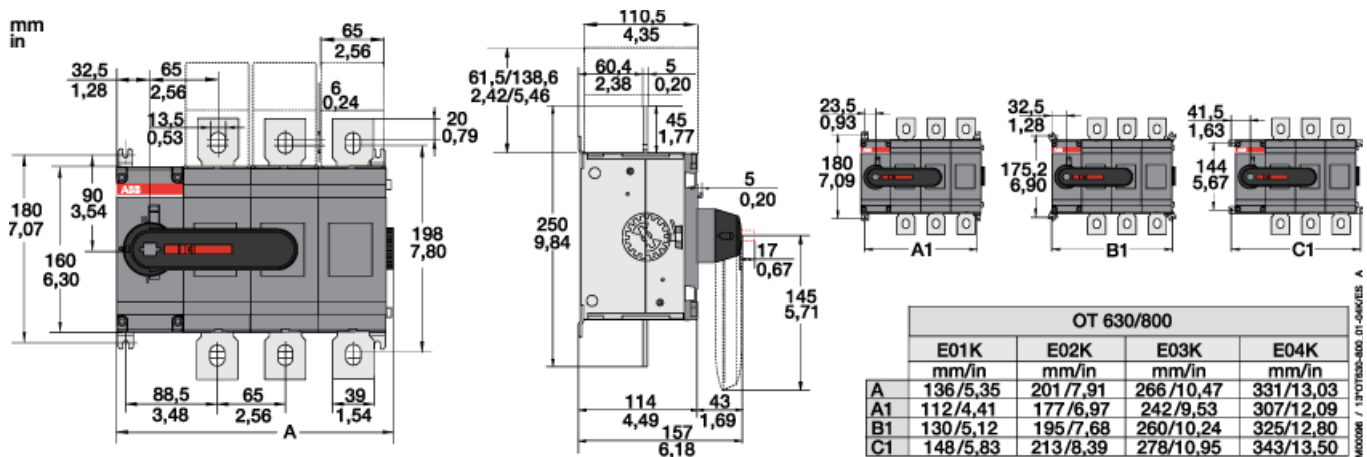
OT 200_K and OT 250_K



OT 315_K and OT 400_K



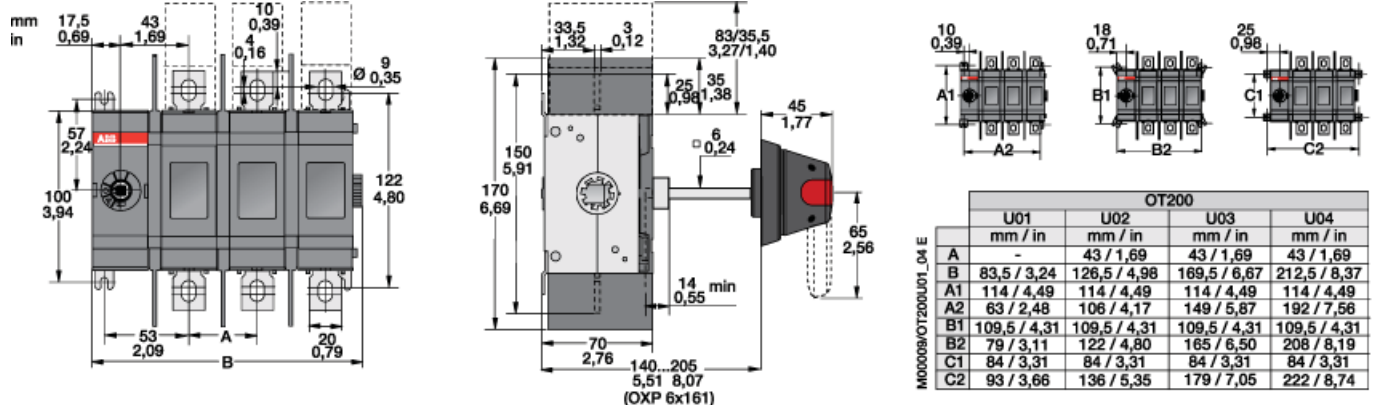
OT 630_K and OT 800_K



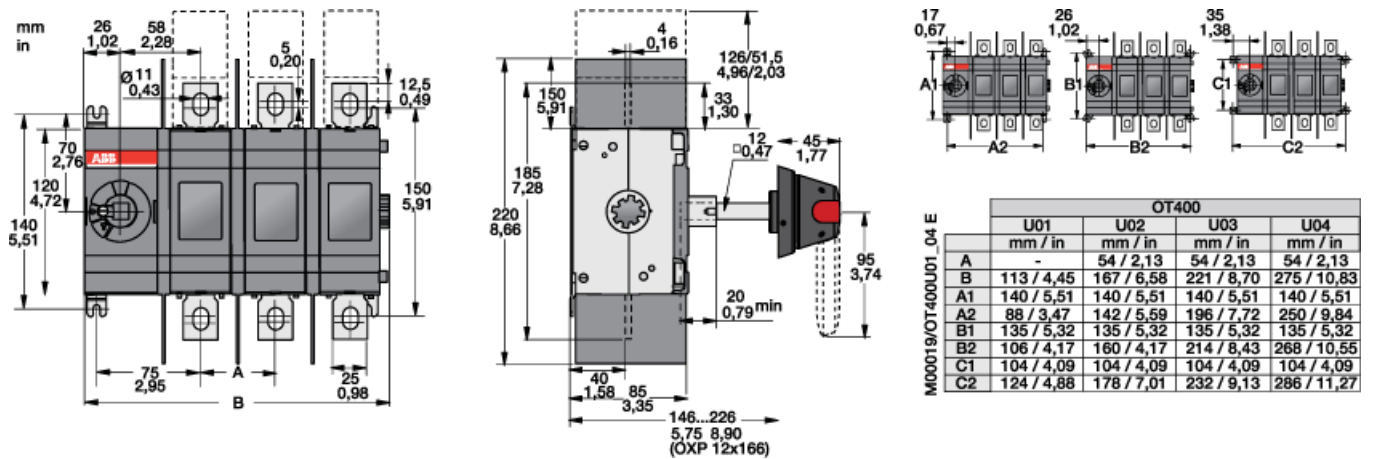


Front operated switch-disconnectors, base mounting Dimension drawings

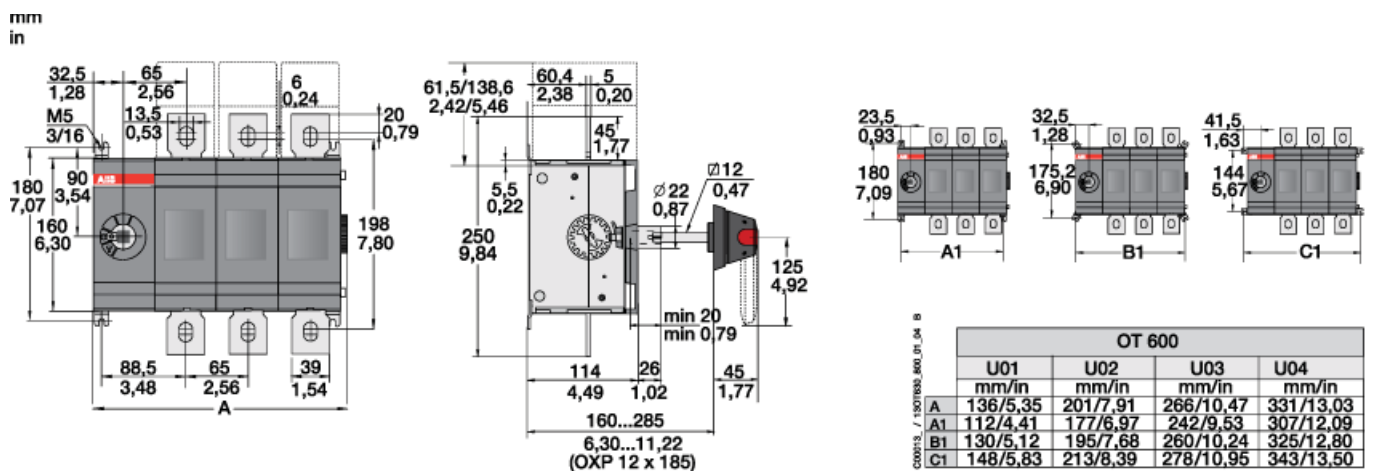
OT 200U_P



OT 400U_P



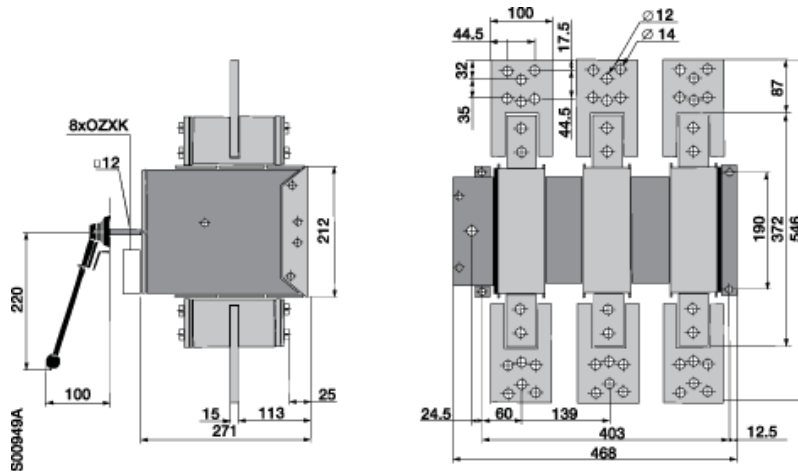
OT 600U_P



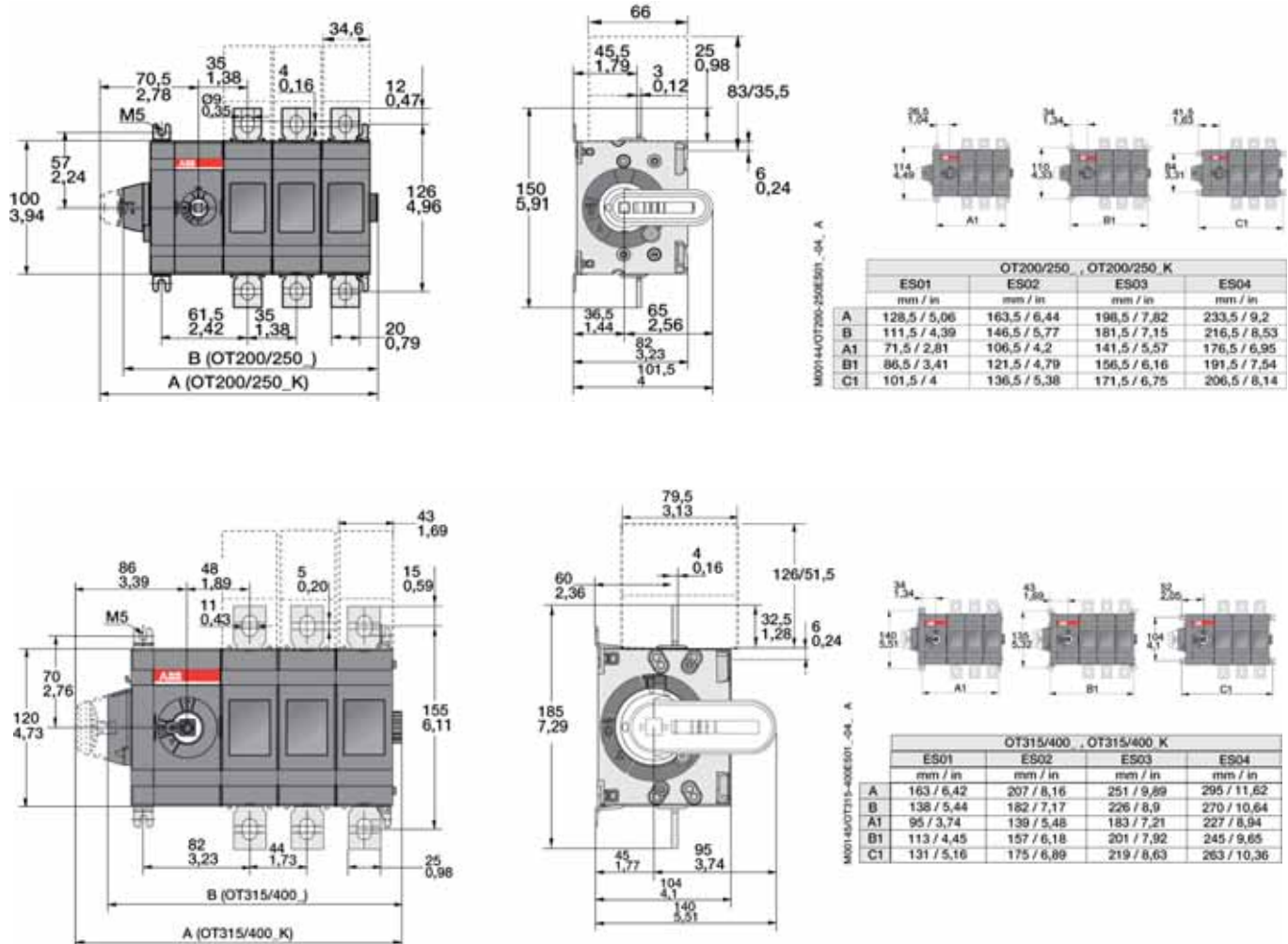


Front and side operated switch-disconnectors, base mounting Dimension drawings

OETL-NF1600P and OETL-NF2000P



OT 200...400ES_

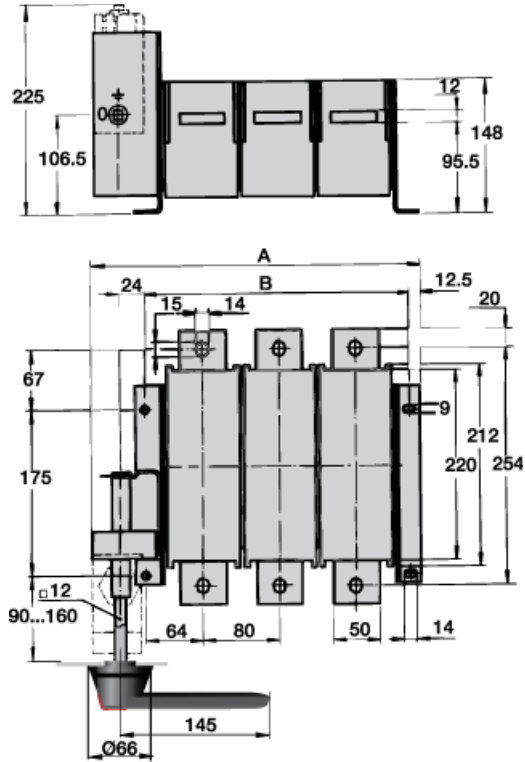




Earthing switches Dimension drawings

OETL 1250M_

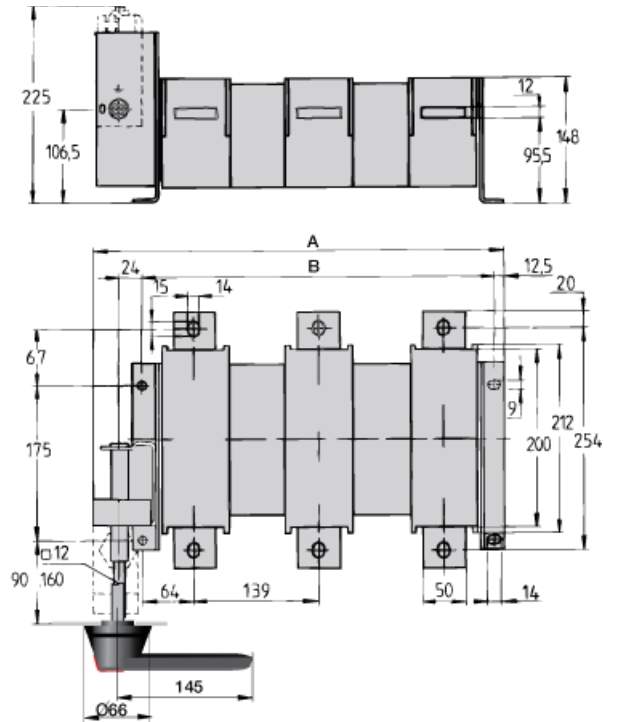
OETL 1250 M3



S00502C

	A	B
OETL 1250 M 3	348	283
OETL 1250 M 4	428	363

OETL 1250 M140_



S00104C

	A	B
OETL 1250 M 140	466	401
OETL 1250 M4 140	605	540

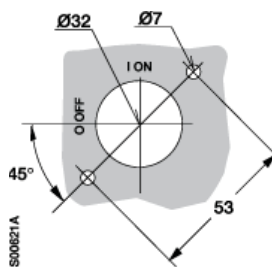
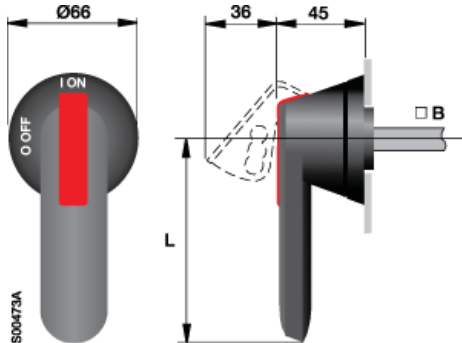


Handles, legend plate Dimension drawings

Plastic handles

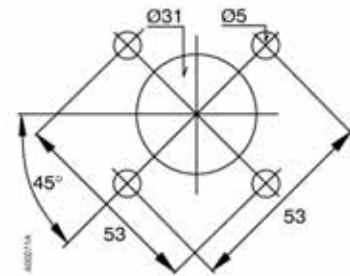
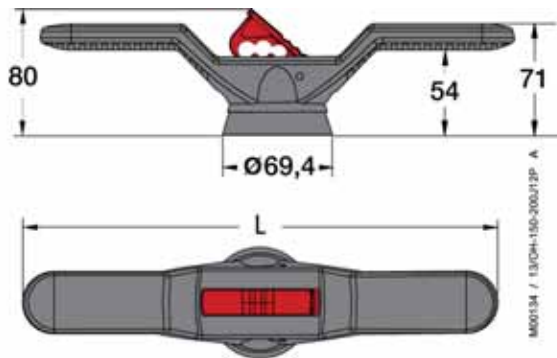
OH_

Door drilling for OH_-handles:

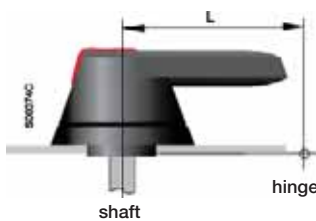


Handle type	Handle length (mm) L	Shaft (mm) B
OH_45J5	45	5
OH_65J5	65	5
OH_45J6	45	6
OH_65J6	65	6
OH_80J6	80	6
OH_95J12	95	12
OH_125J12	125	12
OH_145J12	145	12
OH_175J12	175	12
OH_275J12	275	12

Handle type	L
OHB150J12P	300
OHB200J12P	400

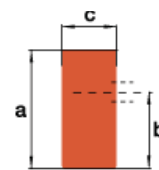


Minimum distance L, between the hinge and the rotating shaft



Switch size	Length L [mm]	Handle type
OT16...125	75	OH_1, OH_2, OH_3
OT160...250_P	60	OH_65J_
OT315...400_P	95	OH_95J_
OT630...800_P	150	OH_125J_
OETL-NF800-1200	150	OH_145J_
OETL 2500...3150	220	YASDA 7, 8 OH_275J12

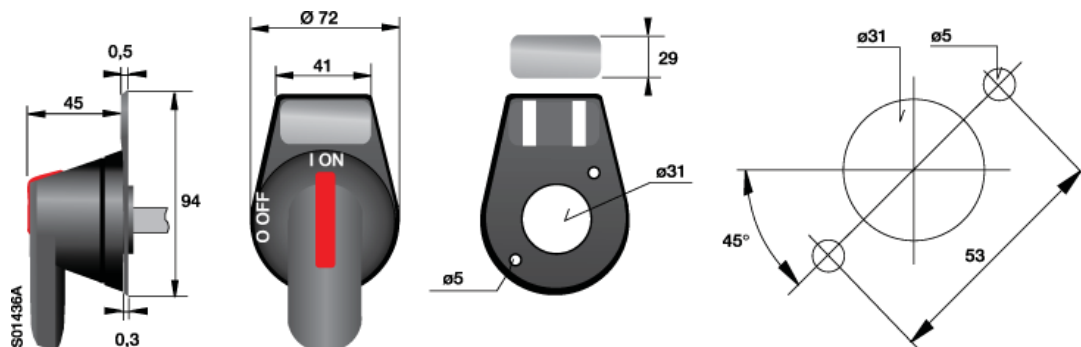
Handle knobs



	a	b	c
OHB 1, OHR 1	31	16	14
OHB 2, OHR 2	40	25	13
OHB 3, OHR 3	39	23	18
OHB 9, OHR 9	72	55	16
OHB 13	72	55	18
YAST 1	72	55	15,5

S01370A

Legend plate for pistol handles, OPB3, OPY3 and OPX3

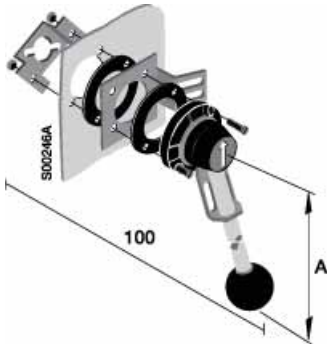




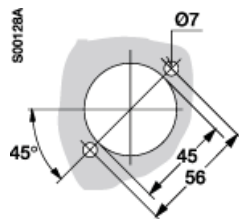
Handles, connection busbars, motor operator Dimension drawings

Metallic handles

YASDA 6 (A = 320 mm)
YASDA 7, 8, 21 (A = 220 mm)
YASDA 24 (A = 145 mm)

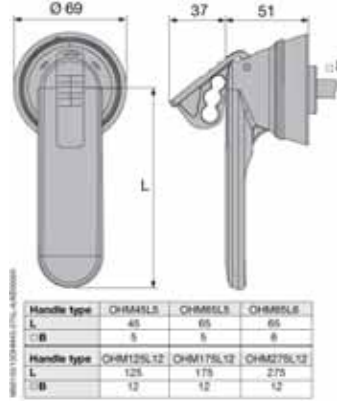


Door drilling for YASDA_ :

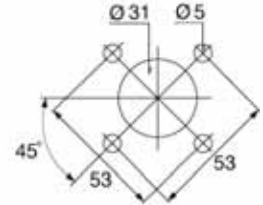


Stainless steel handles

OHM_

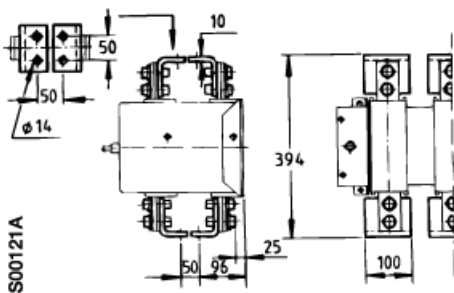


Door drilling for OHM_



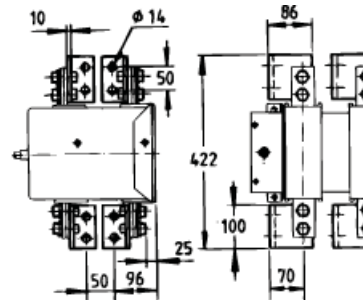
Connection busbars for OETL 2500 and OETL 3150

OETLZX 114, 114/1



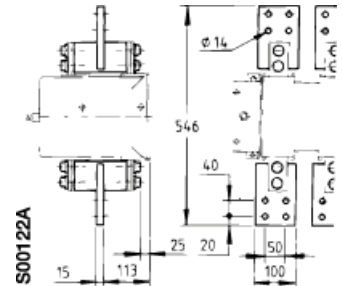
Alternative 1
- vertical/back mounting

OETLZX 114, 114/1



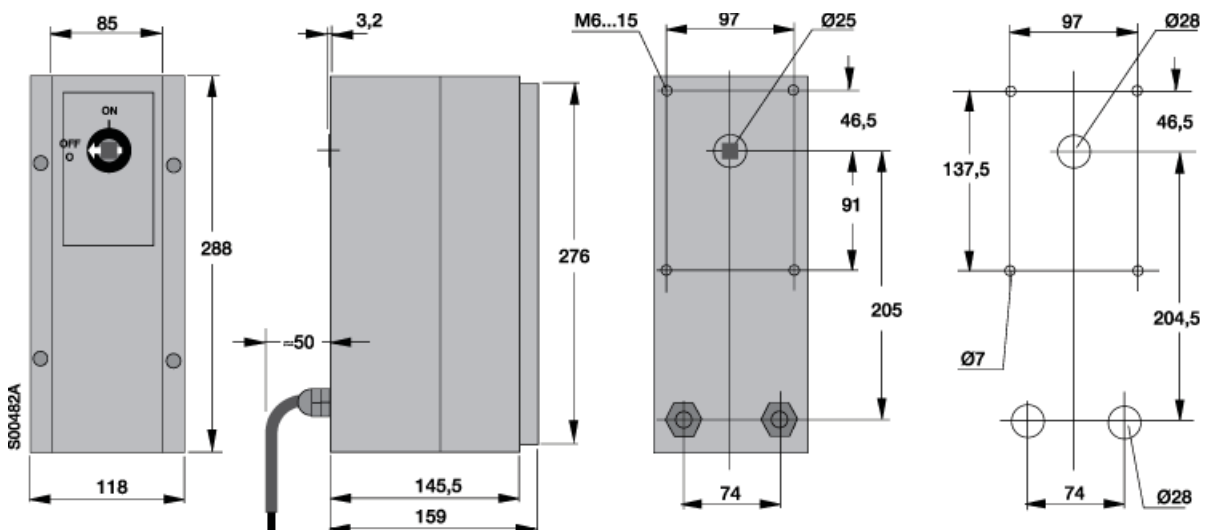
Alternative 2
- edgewise mounting

OETLZX 115, 115/1



Alternative 3
- vertical mounting

Motor operator OEMO

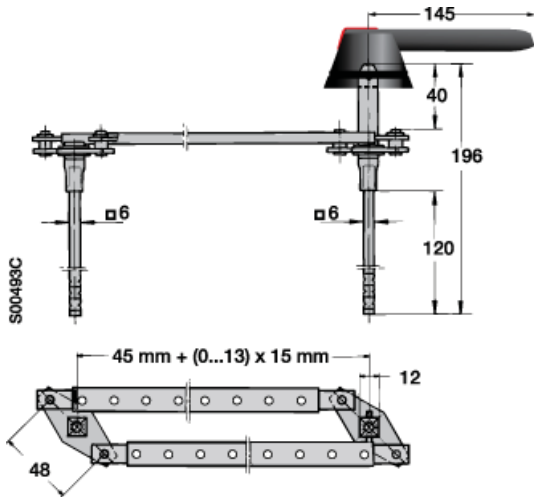




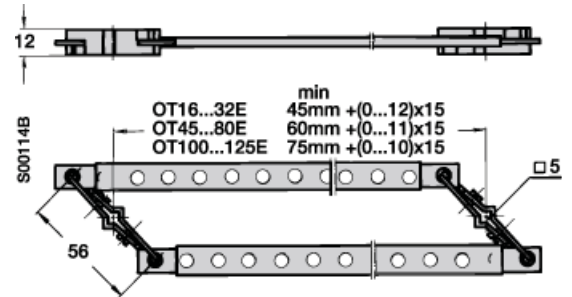
Conversion kits Dimension drawings

6 and 8-pole mechanism

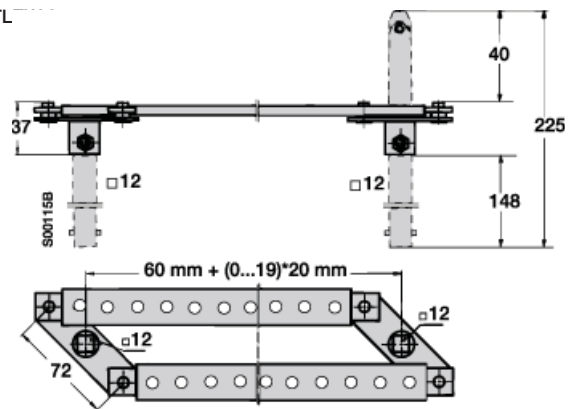
OESAZW 2



OTZW 8

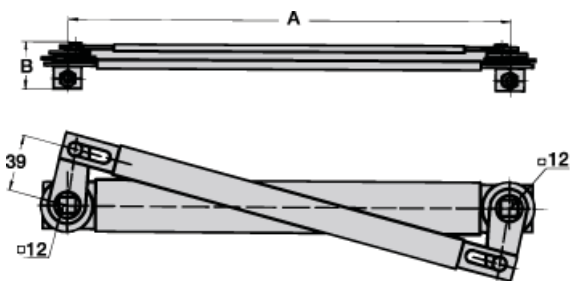


OETL



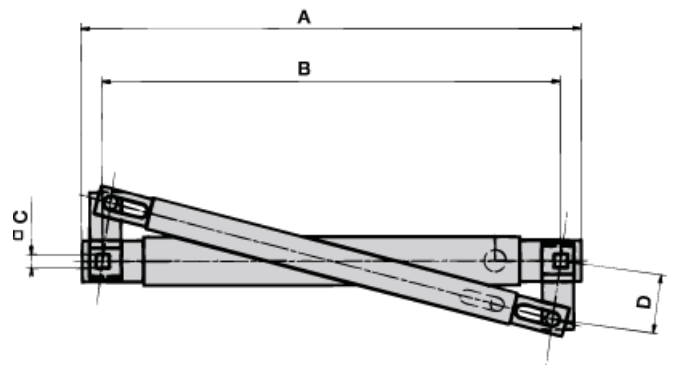
Mechanical interlock mechanism

OETLZW 3, 14, 15



	A	B
OETLZW 3	300	31
OETLZW 14	250	31
OETLZW 15	500	36

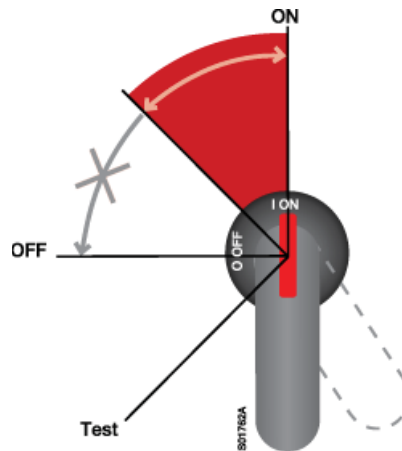
OTZW 10, 24



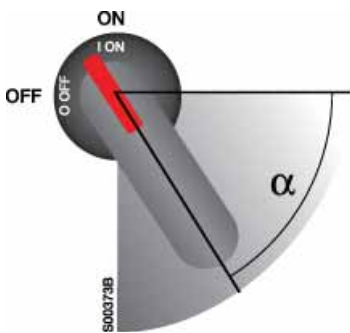
Type	A	B	C	D
OTZW10	206	190	6	30
OTZW24	114	100	5	25

Handle indications and functions

- The handle indicates the position of the contacts with complete reliability in all situations.
If the contacts are welded together, the handle doesn't reach the OFF-position but remains between ON and OFF, maintaining the door interlock and padlocking is not possible to do.
- When operating the switch to the Test-position with a test handle the test auxiliary contacts change position. The main contacts remain open.



ON and OFF-functions of main and auxiliary contacts

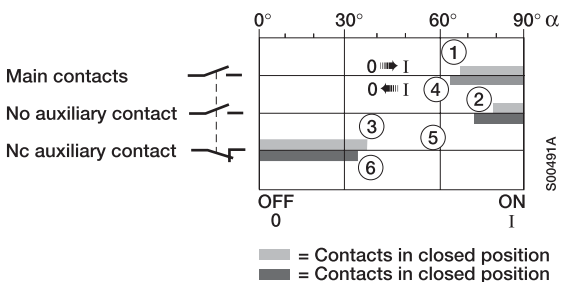


Closing

1. Main contacts close
2. NO auxiliary contacts close
3. NC auxiliary contacts open

Opening

4. Main contacts open
5. NO auxiliary contacts open
6. NC auxiliary contacts close



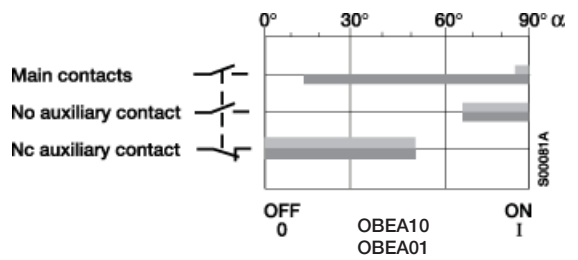
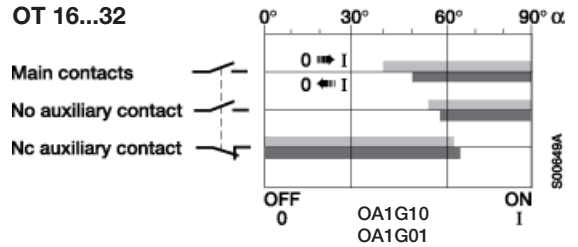
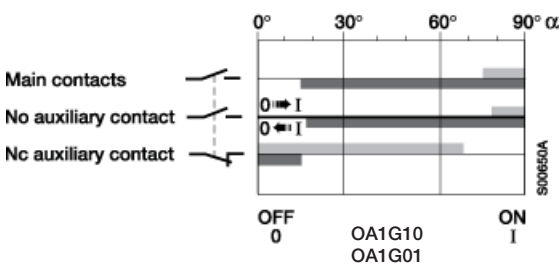


Switch-disconnectors Contact functions

ON and OFF-functions of main and auxiliary contacts

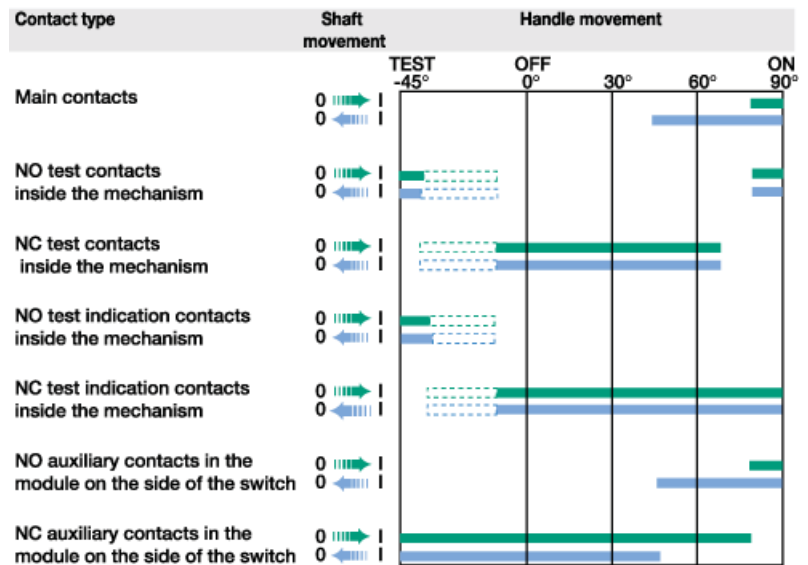
OT 16...160

Auxiliary contact	Contact configuration
OA1G10, OA1G01	1NO 1NC
OBEA 10+, OEZNP 1	1NO
OBEA 01+, OEZNP 1	1NC



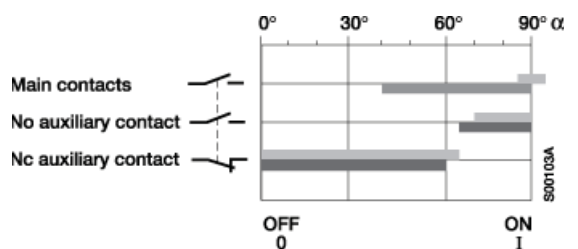
OT 200...1600

Auxiliary contact	Contact configuration
OA1G10, OA3G01	1NO 1NC



OETL 2500...3150

Auxiliary contact	Contact configuration
OZXK 1	1NO+1NC
OZXK 2	2NO+2NC
OZXK 3	4NO+4NC
OZXK 4	2NO
OZXK 5	4NO
OZXK 6	8NO





Index

Type	Order number	Page	Description	Type	Order number	Page	Description
OA1G01	1SCA022353R4890	32	Auxiliary contact	OETLZW14	1SCA022077R3410	38	Conversion kit
OA1G01AU	1SCA022436R7830	32	Auxiliary contact	OETLZW15	1SCA022081R9340	38	Conversion kit
OA1G10	1SCA022353R4970	32	Auxiliary contact	OETLZW16	1SCA022093R2070	40	Locking accessory
OA1G10AU	1SCA022436R7910	32	Auxiliary contact	OETLZW3	1SCA022049R0380	38	Conversion kit
OA2G11	1SCA022379R8100	32	Auxiliary contact	OETLZW5	1SCA022052R3900	40	Locking accessory
OA2L11	1SCA022424R3190	32	Auxiliary contact	OETLZW9	1SCA022061R3300	38	Conversion kit
OA3G01	1SCA022456R7410	32	Auxiliary contact	OETLZX108	1SCA022087R8430	40	Mounting accessory
OAZX1	1SCA022467R5140	33	Auxiliary contact	OETLZX111	1SCA022106R7080	35	Terminal shroud
OBEA01	1SCA022190R3260	32	Auxiliary contact	OETLZX112	1SCA022106R7240	35	Terminal shroud
OBEA01AU	1SCA022185R3730	32	Auxiliary contact	OETLZX114	1SCA022117R7510	37	Busbar connector
OBEA10	1SCA022190R3000	32	Auxiliary contact	OETLZX114/1	1SCA022126R1990	37	Busbar connector
OBEA10AU	1SCA022185R3310	32	Auxiliary contact	OETLZX115	1SCA022117R7770	37	Busbar connector
OBEAZX01	1SCA022276R2470	33	Auxiliary contact	OETLZX115/1	1SCA022126R2110	37	Busbar connector
OBEAZX10	1SCA022264R9910	33	Auxiliary contact	OETLZX58	1SCA022068R8220	40	Mounting accessory
OEA28	1SCA022714R8810	33	Auxiliary contact	OETLZX71	1SCA022068R2700	40	Mounting accessory
OEMO004/110VAC	1SCA022182R0300	40	Motor operator	OETLZX93	1SCA022083R6430	35	Terminal shroud
OEMO004/230VAC	1SCA022196R9010	40	Motor operator	OETLZX94	1SCA022083R6600	35	Terminal shroud
OESAZW2	1SCA022078R1600	38	Conversion kit	OETLZX95	1SCA022083R5620	31	Shaft extension socket
OESAZX162	1SCA022193R0400	34	Neutral link	OEZNP1	1SCA022259R7410	33	Auxiliary contact
OESAZX164	1SCA022202R9520	34	Neutral link	OEZXX13	1SCA022299R9720	37	Busbar connector
OESAZX165	1SCA022202R9790	34	Neutral link	OEZXX6	1SCA022292R6330	37	Busbar connector
OESAZX167	1SCA022190R1560	31	Shaft extension socket	OHB1	1SCA022366R1900	24	Optional handle
OETL1250M140	1SCA022126R6950	19	Earthing switch	OHB1/1	1SCA022699R6790	24	Optional handle
OETL1250M3	1SCA022102R1410	19	Earthing switch	OHB125J12	1SCA022381R1560	26	Optional handle
OETL1250M4	1SCA022189R0930	19	Earthing switch	OHB125J12T	1SCA022652R2220	26	Optional handle
OETL1250M4-140	1SCA022290R5680	19	Earthing switch	OHB13	1SCA022712R4620	24	Optional handle
OETL2500K3	1SCA022108R7780	17	Front operated switch-disconnector	OHB145J12	1SCA022381R2110	26	Optional handle
OETL2500K185	1SCA022123R9710	17	Front operated switch-disconnector	OHB145J12E011	1SCA022399R8530	26	Optional handle
OETL2500K4	1SCA022115R6180	17	Front operated switch-disconnector	OHB175J12	1SCA022381R2450	26	Optional handle
OETL2500K3-2	1SCA022157R4000	17	Front operated switch-disconnector	OHB1AH	1SCA022347R3810	25	Optional handle
OETL2500K3-H20	1SCA022317R2290	17	Front operated switch-disconnector	OHB1AH1	1SCA022364R6340	25	Optional handle
OETL2500KV12	1SCA022290R6900	17	Front operated switch-disconnector	OHB1PH	1SCA022353R1610	28	Optional handle
OETL2500KV22	1SCA022290R7110	17	Front operated switch-disconnector	OHB1RH	1SCA022353R1790	28	Optional handle
OETL3150K3	1SCA022115R6340	17	Front operated switch-disconnector	OHB2	1SCA022648R3810	24	Optional handle
OETL3150K185	1SCA022136R7550	17	Front operated switch-disconnector	OHB2/1	1SCA022660R4540	24	Optional handle
OETL3150K4	1SCA022115R6510	17	Front operated switch-disconnector	OHB200J12P	1SCA022865R9510	26	Optional handle
OETL3150K3-2	1SCA022157R4260	17	Front operated switch-disconnector	OHB275J12	1SCA022381R2960	26	Optional handle
OETL3150K3-H20	1SCA022163R8090	17	Front operated switch-disconnector	OHB275J12E011	1SCA022460R7220	26	Optional handle
OETL3150KV12	1SCA022290R3390	17	Front operated switch-disconnector	OHB2AJ	1SCA022347R4030	25	Optional handle
OETL3150KV22	1SCA022293R8260	17	Front operated switch-disconnector	OHB2AJ1	1SCA022358R5110	25	Optional handle
OETL-NF1200P	1SCA022282R0420	20	Non-fusible disconnect switch	OHB2PJ	1SCA022353R2680	28	Optional handle
OETL-NF1600P	1SCA022282R0690	20	Non-fusible disconnect switch	OHB2RJ	1SCA022353R2760	28	Optional handle
OETL-NF2000P	1SCA022282R0850	20	Non-fusible disconnect switch	OHB3	1SCA022648R4110	24	Optional handle
OETL-NF800AP	1SCA022282R0260	20	Non-fusible disconnect switch	OHB3/1	1SCA022659R7400	24	Optional handle
OETLZK19	1SCA022093R1850	31	Adapter for extension socket	OHB3AH	1SCA022428R8960	25	Optional handle
OETLZT208	1SCA022081R1280	41	Electrical interlock	OHB3AH1	1SCA022428R9000	25	Optional handle
OETLZT80A110AC	1SCA022080R9460	41	Electrical interlock	OHB3PH	1SCA022428R9260	28	Optional handle
OETLZT80A110DC	1SCA022081R0210	41	Electrical interlock	OHB3RH	1SCA022428R9340	28	Optional handle
OETLZT80A220AC	1SCA022079R9050	41	Electrical interlock	OHB45J5	1SCA022380R8180	26	Optional handle
OETLZT80A220DC	1SCA022080R9890	41	Electrical interlock	OHB65J6	1SCA022380R9660	26	Optional handle
OETLZT80A240AC	1SCA022384R3330	41	Electrical interlock	OHB65J6T	1SCA022399R8110	26	Optional handle
OETLZT80A24DC	1SCA022081R1440	41	Electrical interlock	OHB80J6	1SCA022381R0240	26	Optional handle
OETLZT80A48DC	1SCA022081R1010	41	Electrical interlock	OHB9	1SCA022648R3900	24	Optional handle
OETLZT80A60DC	1SCA022081R0630	41	Electrical interlock	OHB9/1	1SCA022660R5010	24	Optional handle
OETLZT80L110AC	1SCA022080R9200	41	Electrical interlock	OHB9/1	1SCA022660R5010	24	Optional handle
OETLZT80L110DC	1SCA022081R0040	41	Electrical interlock	OHB95J12	1SCA022381R0830	26	Optional handle
OETLZT80L220AC	1SCA022079R9640	41	Electrical interlock	OHB95J12T	1SCA022736R1750	26	Optional handle
OETLZT80L220DC	1SCA022080R9620	41	Electrical interlock	OHG125J12	1SCA022381R1640	26	Optional handle
OETLZT80L230AC	1SCA022375R0240	41	Electrical interlock	OHG145J12	1SCA022381R2290	26	Optional handle
OETLZT80L240AC	1SCA022496R2040	41	Electrical interlock	OHG145J12E011	1SCA022460R7140	26	Optional handle
OETLZT80L24DC	1SCA022081R1280	41	Electrical interlock	OHG175J12	1SCA022381R2610	26	Optional handle
OETLZT80L48DC	1SCA022081R0800	41	Electrical interlock	OHG1AH	1SCA022353R2330	25	Optional handle
OETLZT80L60DC	1SCA022081R0470	41	Electrical interlock	OHG1AH1	1SCA022364R6690	25	Optional handle
OETLZW11	1SCA022078R0030	38	Conversion kit	OHG1PH	1SCA022353R2410	28	Optional handle
OETLZW12	1SCA022078R0200	38	Conversion kit	OHG1RH	1SCA022353R2500	28	Optional handle
OETLZW13	1SCA022078R0460	38	Conversion kit				



Index

Type	Order number	Page	Description	Type	Order number	Page	Description
OHG275J12	1SCA022381R3000	26	Optional handle	OHZX14	1SCA022851R6590	31	Extension ring
OHG275J12E011	1SCA022460R7490	26	Optional handle	OHZX4	1SCA022467R2470	40	Locking accessory
OHG2AJ	1SCA022353R3490	25	Optional handle	OHZX5	1SCA022467R5060	29	Handle accessory
OHG2AJ1	1SCA022359R0020	25	Optional handle	OHZX6	1SCA022559R5670	28	Optional handle
OHG2PJ	1SCA022353R3650	28	Optional handle	OPB1	1SCA022353R3730	29	Legend plate
OHG2RJ	1SCA022353R3570	28	Optional handle	OPB1EN1	1SCA022487R4180	29	Legend plate
OHG3AH	1SCA022428R9690	25	Optional handle	OPB2	1SCA022353R4110	29	Legend plate
OHG3AH1	1SCA022428R9770	25	Optional handle	OPB2EN1	1SCA022400R2070	29	Legend plate
OHG3PH	1SCA022428R9510	28	Optional handle	OPB3	1SCA022679R3410	29	Legend plate
OHG3RH	1SCA022428R9420	28	Optional handle	OPG1	1SCA022353R3900	29	Legend plate
OHG45J5	1SCA022380R8260	26	Optional handle	OPG1EN1	1SCA022504R1770	29	Legend plate
OHG65J6	1SCA022380R9740	26	Optional handle	OPG2	1SCA022353R4380	29	Legend plate
OHG80J6	1SCA022381R0320	26	Optional handle	OPG2EN1	1SCA022400R2310	29	Legend plate
OHG95J12		26	Optional handle	OPS1	1SCA022353R4030	29	Legend plate
OHM125L12	1SCA022739R1150	27	Optional handle	OPS1EN1	1SCA022500R5110	29	Legend plate
OHM175L12	1SCA022739R1230	27	Optional handle	OPS2	1SCA022353R4460	29	Legend plate
OHM275L12	1SCA022832R4840	27	Optional handle	OPS2EN1	1SCA022400R2230	29	Legend plate
OHM65L6	1SCA022739R1070	27	Optional handle	OPX3	1SCA022679R3500	29	Legend plate
OHR1	1SCA022366R2030	24	Optional handle	OPX3/TEXT	1SCA022696R6370	29	Legend plate
OHR1 / 1	1SCA022699R6870	24	Optional handle	OPX3DE1	1SCA022695R0700	29	Legend plate
OHR2	1SCA022645R2420	24	Optional handle	OPX3EN1	1SCA022695R0610	29	Legend plate
OHR2/1	1SCA022660R4620	24	Optional handle	OPX3FI1	1SCA022695R0530	29	Legend plate
OHR3	1SCA022648R4200	24	Optional handle	OPX3SE1	1SCA022695R0880	29	Legend plate
OHR3/1	1SCA022660R4710	24	Optional handle	OPY1	1SCA022353R3810	29	Legend plate
OHR9	1SCA022648R4030	24	Optional handle	OPY1EN1	1SCA022485R2880	29	Legend plate
OHR9/1	1SCA022660R4970	24	Optional handle	OPY2	1SCA022353R4200	29	Legend plate
YAST1	1SCA022301R5350	24	Optional handle	OPY2EN1	1SCA022400R2740	29	Legend plate
OHS1AH	1SCA022353R2090	25	Optional handle	OPY3	1SCA022695R0450	29	Legend plate
OHS1AH1	1SCA022364R6510	25	Optional handle	OT1000E03N3P	1SCA100761R1001	17	Front operated switch-disconnector
OHS1PH	1SCA022353R2170	28	Optional handle	OT1000E03P	1SCA022860R5930	17	Front operated switch-disconnector
OHS1RH	1SCA022353R2250	28	Optional handle	OT1000E03W4P	1SCA022871R7310	18	Front operated switch-disconnector
OHS2AJ	1SCA022353R3140	25	Optional handle	OT1000E03W8P	1SCA022871R8110	18	Front operated switch-disconnector
OHS2AJ1	1SCA022359R0110	25	Optional handle	OT1000E04P	1SCA022860R6150	17	Front operated switch-disconnector
OHS2PJ	1SCA022353R3220	28	Optional handle	OT1000E04W4P	1SCA100762R1001	18	Front operated switch-disconnector
OHS2RJ	1SCA022353R3310	28	Optional handle	OT1000E12P	1SCA022871R5520	17	Front operated switch-disconnector
OHS3AH	1SCA022398R6010	25	Optional handle	OT1000E22P	1SCA022871R5610	17	Front operated switch-disconnector
OHS3AH1	1SCA022400R3630	25	Optional handle	OT1000X03N3P	1SCA101461R1001	17	Front operated switch-disconnector
OHS3PH	1SCA022400R4100	28	Optional handle	OT1000X03P	1SCA101465R1001	17	Front operated switch-disconnector
OHS3RH	1SCA022400R3390	28	Optional handle	OT1000X03W4P	1SCA101467R1001	18	Front operated switch-disconnector
OHY125J12	1SCA022381R1720	26	Optional handle	OT1000X03W8P	1SCA101469R1001	18	Front operated switch-disconnector
OHY125J12T	1SCA022652R2310	26	Optional handle	OT1000X04P	1SCA101471R1001	17	Front operated switch-disconnector
OHY145J12	1SCA022381R2370	26	Optional handle	OT1000X04W4P	1SCA101473R1001	18	Front operated switch-disconnector
OHY145J12E011	1SCA022460R7060	26	Optional handle	OT1000X12P	1SCA101477R1001	17	Front operated switch-disconnector
OHY175J12	1SCA022381R2700	26	Optional handle	OT1000X22P	1SCA101479R1001	17	Front operated switch-disconnector
OHY1AH	1SCA022347R3900	25	Optional handle	OT100E3	1SCA022398R4400	15	Front operated switch-disconnector
OHY1AH1	1SCA022364R6420	25	Optional handle	OT100E3	1SCA022398R4400	20	Non-fusible disconnect switch
OHY1PH	1SCA022353R1870	28	Optional handle	OT100E4	1SCA022398R4580	15	Front operated switch-disconnector
OHY1RH	1SCA022353R1950	28	Optional handle	OT100E4	1SCA022398R4580	20	Non-fusible disconnect switch
OHY200J12P	1SCA101587R1001	26	Optional handle	OT100E6	1SCA022551R7610	15	Front operated switch-disconnector
OHY275J12	1SCA022381R3180	26	Optional handle	OT100E8	1SCA022551R7790	15	Front operated switch-disconnector
OHY275J12E011	1SCA022460R7310	26	Optional handle	OT100ET3	1SCA022393R9280	19	Front operated switch-disconnector
OHY2AJ	1SCA022353R2840	25	Optional handle	OT100ET4	1SCA022398R4660	19	Front operated switch-disconnector
OHY2AJ1	1SCA022358R5290	25	Optional handle	OT1250E03N3P	1SCA022865R7060	17	Front operated switch-disconnector
OHY2PJ	1SCA022353R2920	28	Optional handle	OT1250E03P	1SCA022860R6230	17	Front operated switch-disconnector
OHY2RJ	1SCA022353R3060	28	Optional handle	OT1250E03W4P	1SCA022866R1920	18	Front operated switch-disconnector
OHY3AH	1SCA022428R9180	25	Optional handle	OT1250E03W8P	1SCA022871R8540	18	Front operated switch-disconnector
OHY3AH1	1SCA022400R3710	25	Optional handle	OT1250E04P	1SCA022860R6310	17	Front operated switch-disconnector
OHY3PH	1SCA022400R3120	28	Optional handle	OT1250E04W4P	1SCA022866R2220	18	Front operated switch-disconnector
OHY3RH	1SCA022400R3550	28	Optional handle	OT1250E12P	1SCA022871R5790	17	Front operated switch-disconnector
OHY45J5	1SCA022380R8340	26	Optional handle	OT1250E22P	1SCA022871R5870	17	Front operated switch-disconnector
OHY65J6	1SCA022380R9820	26	Optional handle	OT1250X03N3P	1SCA101609R1001	17	Front operated switch-disconnector
OHY65J6T	1SCA022456R9540	26	Optional handle	OT1250X03P	1SCA101484R1001	17	Front operated switch-disconnector
OHY80J6	1SCA022381R0410	26	Optional handle	OT1250X03W4P	1SCA101546R1001	18	Front operated switch-disconnector
OHY95J12	1SCA022381R1050	26	Optional handle	OT1250X03W8P	1SCA101494R1001	18	Front operated switch-disconnector
OHY95J12T	1SCA022736R1910	26	Optional handle	OT1250X04P	1SCA101499R1001	17	Front operated switch-disconnector
OHZX10	1SCA022661R3610	31	Shaft alignment ring	OT1250X04W4P	1SCA101488R1001	18	Front operated switch-disconnector
OHZX11	1SCA022708R3610	31	Shaft alignment ring	OT1250X12P	1SCA101517R1001	17	Front operated switch-disconnector



Index

Type	Order number	Page	Description	Type	Order number	Page	Description
OT1250X22P	1SCA101522R1001	17	Front operated switch-disconnector	OT250E04K	1SCA022763R5210	18	Front operated switch-disconnector with direct mounted handle
OT125E3	1SCA022353R7480	15	Front operated switch-disconnector	OT250E03P	1SCA022710R0100	16	Front operated switch-disconnector
OT124E4	1SCA022373R1880	15	Front operated switch-disconnector	OT250E04P	1SCA022710R0520	16	Front operated switch-disconnector with pistol handle
OT125E6	1SCA022551R8410	15	Front operated switch-disconnector	OT250E03WP	1SCA022744R3560	18	Front operated switch-disconnector
OT125E8	1SCA022551R8500	15	Front operated switch-disconnector	OT250E04WP	1SCA022744R3810	18	Front operated switch-disconnector with direct mounted handle
OT125ET3	1SCA022353R7560	19	Front operated switch-disconnector	OT250E12P	1SCA022721R4110	16	Front operated switch-disconnector with pistol handle
OT125ET4	1SCA022376R8880	19	Front operated switch-disconnector	OT250E12WP	1SCA022745R0000	18	Front operated switch-disconnector with direct mounted handle
OT1600E03N3P	1SCA022865R6920	17	Front operated switch-disconnector	OT250E22P	1SCA022721R4290	16	Front operated switch-disconnector with pistol handle
OT1600E03P	1SCA022860R6580	17	Front operated switch-disconnector	OT250E22WP	1SCA022745R0180	18	Front operated switch-disconnector with direct mounted handle
OT1600E03W4P	1SCA022865R9860	18	Front operated switch-disconnector	OT250ES03	1SCA022860R0890	19	Side operated switch fuse without handle
OT1600E03W8P	1SCA022871R8970	18	Front operated switch-disconnector	OT250ES03K	1SCA022860R0970	19	Side operated switch fuse with direct mounted handle
OT1600E04P	1SCA022860R6740	17	Front operated switch-disconnector	OT250ES04	1SCA022860R1010	19	Side operated switch fuse without handle
OT1600E04W4P	1SCA022866R1090	18	Front operated switch-disconnector	OT250ES04K	1SCA022860R1190	19	Side operated switch fuse with direct mounted handle
OT1600E12P	1SCA022871R5950	17	Front operated switch-disconnector	OT25E3	1SCA022283R8630	15	Front operated switch-disconnector
OT1600E22P	1SCA022871R6090	17	Front operated switch-disconnector	OT25E3	1SCA022283R8630	20	Non-fusible disconnect switch
OT1600X03N3P	1SCA101525R1001	17	Front operated switch-disconnector	OT25E4	1SCA022352R7330	15	Front operated non-fusible disconnect switch
OT1600X03P	1SCA101527R1001	17	Front operated switch-disconnector	OT25E4	1SCA022352R7330	20	Non-fusible disconnect switch
OT1600X03W4P	1SCA101529R1001	18	Front operated switch-disconnector	OT25E6	1SCA022551R5230	15	Front operated switch-disconnector
OT1600X03W8P	1SCA101532R1001	18	Front operated switch-disconnector	OT25E8	1SCA022551R5310	15	Front operated switch-disconnector
OT1600X04P	1SCA101534R1001	17	Front operated switch-disconnector	OT25ET3	1SCA022352R6790	19	Front operated switch-disconnector
OT1600X04W4P	1SCA101563R1001	18	Front operated switch-disconnector	OT25ET3	1SCA022352R6790	20	Non-fusible disconnect switch
OT1600X12P	1SCA101540R1001	17	Front operated switch-disconnector	OT25ET4	1SCA022352R7410	19	Front operated switch-disconnector
OT1600X22P	1SCA101542R1001	17	Front operated switch-disconnector	OT30E3	1SCA022553R6660	20	Non-fusible disconnect switch
OT160E3	1SCA022257R5950	20	Non-fusible disconnect switch	OT30E4	1SCA022553R6820	20	Non-fusible disconnect switch
OT160E32	1SCA022257R5950	15	Front operated switch-disconnector	OT315E03K	1SCA022763R5630	18	Front operated switch-disconnector
OT160E4	1SCA022259R8060	15	Front operated switch-disconnector	OT315E03P	1SCA022718R8510	16	Front operated switch-disconnector
OT160E4	1SCA022259R8060	20	Non-fusible disconnect switch	OT315E03WP	1SCA022809R8650	18	Front operated switch-disconnector
OT160ET3	1SCA022350R1960	19	Front operated switch-disconnector	OT315E04K	1SCA022763R5710	18	Front operated switch-disconnector with direct mounted handle
OT160ET4	1SCA022460R6920	19	Front operated switch-disconnector	OT315E04P	1SCA022719R1730	16	Front operated switch-disconnector with pistol handle
OT16E3	1SCA022283R8470	15	Front operated switch-disconnector	OT315E04WP	1SCA022809R8900	18	Front operated switch-disconnector with direct mounted handle
OT16E3	1SCA022283R8470	20	Non-fusible disconnect switch	OT315E12P	1SCA022727R4190	16	Front operated switch-disconnector with pistol handle
OT16E4	1SCA022352R7170	15	Front operated switch-disconnector	OT315E12WP	1SCA022809R9380	18	Front operated switch-disconnector with direct mounted handle
OT16E4	1SCA022352R7170	20	Non-fusible disconnect switch	OT315E22P	1SCA022727R4270	16	Front operated switch-disconnector with pistol handle
OT16E6	1SCA022551R4420	15	Front operated switch-disconnector	OT315E22WP	1SCA022810R0900	18	Front operated switch-disconnector with direct mounted handle
OT16E8	1SCA022551R4510	15	Front operated switch-disconnector	OT315ES03	1SCA022860R1270	19	Side operated switch fuse without handle
OT16ET3	1SCA022352R6610	19	Front operated switch-disconnector	OT315ES03K	1SCA022860R1350	19	Side operated switch fuse with direct mounted handle
OT16ET3	1SCA022352R6610	20	Non-fusible disconnect switch	OT315ES04	1SCA022860R1510	19	Side operated switch fuse without handle
OT16ET4	1SCA022352R7250	19	Front operated switch-disconnector	OT315ES04K	1SCA022860R1600	19	Side operated switch fuse with direct mounted handle
OT16ET4	1SCA022352R7250	20	Non-fusible disconnect switch	OT32E3	1SCA022283R9010	15	Front operated switch-disconnector
OT200E03K	1SCA022763R4820	18	Front operated switch-disconnector with direct mounted handle	OT32E3	1SCA022283R9010	20	Non-fusible disconnect switch
OT200E03P	1SCA022712R0800	16	Front operated switch-disconnector	OT32E4	1SCA022352R7500	15	Front operated switch-disconnector
OT200E03WP	1SCA022744R2670	18	Front operated switch-disconnector	OT32E4	1SCA022352R7500	20	Non-fusible disconnect switch
OT200E04K	1SCA022763R4910	18	Front operated switch-disconnector with direct mounted handle	OT32E6	1SCA022551R2720	15	Front operated switch-disconnector
OT200ES03	1SCA022860R0200	19	Side operated switch fuse without handle	OT32E8	1SCA022551R2990	15	Front operated switch-disconnector
OT200E04P	1SCA022713R4930	16	Front operated switch-disconnector with pistol handle	OT32ET3	1SCA022352R6870	19	Front operated switch-disconnector
OT200ES03K	1SCA022860R0620	19	Side operated switch fuse with direct mounted handle	OT32ET3	1SCA022352R6870	20	Front operated non-fusible disconnect switch
OT200E04WP	1SCA022744R3130	18	Front operated switch-disconnector with direct mounted handle	OT32ET4	1SCA022347R3490	19	Front operated switch-disconnector
OT200E12P	1SCA022721R3990	16	Front operated switch-disconnector with pistol handle	OT32ET4	1SCA022347R3490	20	Front operated non-fusible disconnect switch
OT200ES04	1SCA022860R0540	19	Side operated switch fuse without handle	OT400E03K	1SCA022763R5390	18	Front operated switch-disconnector
OT200E12WP	1SCA022744R2910	18	Front operated switch-disconnector with direct mounted handle				
OT200ES04K	1SCA022860R0710	19	Side operated switch fuse with direct mounted handle				
OT200E22P	1SCA022721R4020	16	Front operated switch-disconnector with pistol handle				
OT200E22WP	1SCA022744R3300	18	Front operated switch-disconnector with direct mounted handle				
OT200U03P	1SCA022709R9920	20	Non-fusible disconnect switch				
OT200U04P	1SCA022710R0610	20	Non-fusible disconnect switch				
OT200U12P	1SCA022752R2010	20	Non-fusible disconnect switch				
OT200U22P	1SCA022741R8880	20	Non-fusible disconnect switch				
OT250E03K	1SCA022763R5040	18	Front operated switch-disconnector				



Index

Type	Order number	Page	Description
OT400E03P	1SCA022718R8780	16	Front operated switch-disconnector
OT400E03WP	1SCA022809R8310	18	Front operated switch-disconnector
OT400E04K	1SCA022763R5550	18	Front operated switch-disconnector with direct mounted handle
OT400E04P	1SCA022719R1810	16	Front operated switch-disconnector with pistol handle
OT400E04WP	1SCA022809R8810	18	Front operated switch-disconnector with direct mounted handle
OT400E12P	1SCA022727R5750	16	Front operated switch-disconnector with pistol handle
OT400E12WP	1SCA022809R9200	18	Front operated switch-disconnector with direct mounted handle
OT400E22P	1SCA022727R5830	16	Front operated switch-disconnector with pistol handle
OT400E22WP	1SCA022810R0570	18	Front operated switch-disconnector with direct mounted handle
OT400ES03	1SCA022860R1780	19	Side operated switch fuse without handle
OT400ES03K	1SCA022860R1860	19	Side operated switch fuse with direct mounted handle
OT400ES04	1SCA022860R1940	19	Side operated switch fuse without handle
OT400ES04K	1SCA022860R2080	19	Side operated switch fuse with direct mounted handle
OT400U03P	1SCA022718R9670	20	Non-fusible disconnect switch
OT400U04P	1SCA022719R1900	20	Non-fusible disconnect switch
OT400U12P	1SCA022754R6960	20	Non-fusible disconnect switch
OT400U22P	1SCA022762R7290	20	Non-fusible disconnect switch
OT45E3	1SCA022352R6950	15	Front operated switch-disconnector
OT45E3	1SCA022352R6950	20	Non-fusible disconnect switch
OT45E4	1SCA022352R7680	20	Non-fusible disconnect switch
OT45E4	1SCA022352R7680	15	Front operated switch-disconnector
OT45E6	1SCA022551R3610	15	Front operated switch-disconnector
OT45E8	1SCA022551R3700	15	Front operated switch-disconnector
OT45ET3	1SCA022353R7050	19	Front operated switch-disconnector
OT45ET3	1SCA022353R7050	20	Non-fusible disconnect switch
OT45ET4	1SCA022371R5500	19	Front operated switch-disconnector
OT45ET4	1SCA022371R5500	20	Non-fusible disconnect switch
OT600U03P	1SCA022718R9830	20	Non-fusible disconnect switch
OT600U04P	1SCA022719R2200	20	Non-fusible disconnect switch
OT600U12P	1SCA022753R7710	20	Non-fusible disconnect switch
OT600U22P	1SCA022753R7890	20	Non-fusible disconnect switch
OT60E3	1SCA022553R6740	20	Non-fusible disconnect switch
OT60E4	1SCA022553R6910	20	Non-fusible disconnect switch
OT630E03K	1SCA022779R4940	18	Front operated switch-disconnector
OT630E03N3P	1SCA022779R4860	16	Front operated switch-disconnector with pistol handle
OT630E03P	1SCA022718R8940	16	Front operated switch-disconnector with pistol handle
OT630E04K	1SCA022779R5080	18	Front operated switch-disconnector with direct mounted handle
OT630E04P	1SCA022719R2030	16	Front operated switch-disconnector with pistol handle
OT630E12P	1SCA022753R4790	16	Front operated switch-disconnector with pistol handle
OT630E22P	1SCA022753R4870	16	Front operated switch-disconnector with pistol handle
OT63E3	1SCA022352R7090	15	Front operated switch-disconnector
OT63E3	1SCA022352R7090	20	Non-fusible disconnect switch
OT63E4	1SCA022352R7760	15	Front operated switch-disconnector
OT63E4	1SCA022352R7760	20	Non-fusible disconnect switch
OT63E6	1SCA022551R6040	15	Front operated switch-disconnector
OT63E8	1SCA022551R6120	15	Front operated switch-disconnector
OT63ET3	1SCA022353R7130	19	Front operated switch-disconnector
OT63ET3	1SCA022353R7130	20	Non-fusible disconnect switch
OT63ET4	1SCA022371R6490	19	Front operated switch-disconnector
OT63ET4	1SCA022371R6490	20	Non-fusible disconnect switch
OT800E03K	1SCA022779R5160	18	Front operated switch-disconnector
OT800E03N3P	1SCA022779R4780	16	Front operated switch-disconnector with pistol handle
OT800E03P	1SCA022718R9410	16	Front operated switch-disconnector

Type	Order number	Page	Description
OT800E04K	1SCA022779R5240	18	Front operated switch-disconnector
OT800E04P	1SCA022719R2110	16	Front operated switch-disconnector
OT800E12P	1SCA022753R5170	16	Front operated switch-disconnector
OT800E22P	1SCA022753R5250	16	Front operated switch-disconnector
OTB1600/6	1SCA100768R1001	35	Phase separator
OTB800/6	1SCA022821R7760	35	Phase separator
OTPD125EP	1SCA022379R9170	34	Neutral and earth terminal
OTPD32EP	1SCA022353R6080	34	Neutral and earth terminal
OTPD63ED	1SCA022371R5840	34	Neutral and earth terminal
OTPD63EP	1SCA022353R6240	34	Neutral and earth terminal
OTPD80EP	1SCA022379R9250	34	Neutral and earth terminal
OTPE125ED	1SCA022379R9330	34	Neutral and earth terminal
OTPE125EP	1SCA022386R6620	34	Neutral and earth terminal
OTPE160EP	1SCA022345R0010	34	Neutral and earth terminal
OTPE32ED	1SCA022353R6410	34	Neutral and earth terminal
OTPE32EP	1SCA022353R6320	34	Neutral and earth terminal
OTPE63ED	1SCA022393R9100	34	Neutral and earth terminal
OTPE63EP	1SCA022353R6590	34	Neutral and earth terminal
OTPL125ED	1SCA022379R8360	34	Four pole
OTPL125EP	1SCA022379R8790	34	Four pole
OTPL32ED	1SCA022353R5510	34	Four pole
OTPL32EP	1SCA022353R5430	34	Four pole
OTPL63ED	1SCA022371R5680	34	Four pole
OTPL63EP	1SCA022353R5600	34	Four pole
OTPN125ED	1SCA022379R8870	34	Neutral and earth terminal
OTPN125EP	1SCA022379R9090	34	Neutral and earth terminal
OTPN160EP	1SCA022344R9510	34	Neutral and earth terminal
OTPN32ED	1SCA022353R5860	34	Neutral and earth terminal
OTPN32EP	1SCA022353R5780	34	Neutral and earth terminal
OTPN63ED	1SCA022371R5760	34	Neutral and earth terminal
OTPN63EP	1SCA022353R5940	34	Neutral and earth terminal
OTPS125ED	1SCA022379R7980	34	Four pole
OTPS125EP	1SCA022379R8010	34	Four pole
OTPS160EP	1SCA022325R7360	34	Four pole
OTPS32ED	1SCA022353R5270	34	Four pole
OTPS32EP	1SCA022348R2480	34	Four pole
OTPS63ED	1SCA022347R4110	34	Four pole
OTPS63EP	1SCA022353R5350	34	Four pole
OTS125T1	1SCA022379R9760	35	Terminal shroud
OTS125T1P	1SCA022491R9970	35	Terminal shroud
OTS125T3	1SCA022379R9680	35	Terminal shroud
OTS125T3P	1SCA022491R9890	35	Terminal shroud
OTS1600G1L/3	1SCA022871R9510	35	Terminal shroud
OTS1600G1L/4	1SCA022871R9780	35	Terminal shroud
OTS1600G1S/3	1SCA022871R9600	35	Terminal shroud
OTS1600G1S/4	1SCA022871R9860	35	Terminal shroud
OTS160T1	1SCA022691R2010	35	Terminal shroud
OTS160T3	1SCA022495R4610	35	Terminal shroud
OTS160T4	1SCA022495R4700	35	Terminal shroud
OTS250G1L/3	1SCA022731R8150	35	Terminal shroud
OTS250G1L/4	1SCA022731R8230	35	Terminal shroud
OTS250G1S/3	1SCA022731R8310	35	Terminal shroud
OTS250G1S/4	1SCA022731R8400	35	Terminal shroud
OTS32T1	1SCA022353R6830	35	Terminal shroud
OTS32T3	1SCA022353R6670	35	Terminal shroud
OTS400G1L/3	1SCA022736R8840	35	Terminal shroud
OTS400G1L/4	1SCA022736R9490	35	Terminal shroud
OTS400G1S/3	1SCA022736R9060	35	Terminal shroud
OTS400G1S/4	1SCA022736R9650	35	Terminal shroud
OTS63T1	1SCA022353R6910	35	Terminal shroud
OTS63T3	1SCA022353R6750	35	Terminal shroud
OTS800G1L/3	1SCA022776R7890	35	Terminal shroud
OTS800G1L/4	1SCA022776R7970	35	Terminal shroud
OTS800G1S/3	1SCA022776R8190	35	Terminal shroud
OTS800G1S/4	1SCA022776R8270	35	Terminal shroud
OTV250EK	1SCA022763R2700	26	Optional handle



Index

Type	Order number	Page	Description	Type	Order number	Page	Description
OTV400EK	1SCA022763R2960	26	Optional handle	OZXB1L	1SCA022169R2030	36	Terminal clamp
OTV800EK	1SCA022804R6340	26	Optional handle	OZXB1L/1	1SCA022194R0030	36	Terminal clamp
OTVY250EK	1SCA022772R7910	26	Optional handle	OZXB2	1SCA022119R7610	36	Terminal clamp
OTVY400EK	1SCA022772R7830	26	Optional handle	OZXB2/1	1SCA022194R0200	36	Terminal clamp
OTZ1600E	1SCA022829R0840	34	Four pole	OZXB2K	1SCA022264R0010	35	Terminal shroud
OTZ250E	1SCA022735R9420	34	Four pole	OZXB2L	1SCA022158R7750	36	Terminal clamp
OTZ400E	1SCA022749R1960	34	Four pole	OZXB2L/1	1SCA022194R0460	36	Terminal clamp
OTZ800E	1SCA022807R5100	34	Four pole	OZXB3	1SCA022136R8100	36	Terminal clamp
OTZNA1-160E4	1SCA022271R8310	34	Four pole	OZXB3/1	1SCA022194R0620	36	Terminal clamp
OTZW10	1SCA022431R5280	38	Conversion kit	OZXB3K	1SCA022264R0440	35	Terminal shroud
OTZW17	1SCA022387R1620	38	Conversion kit	OZXB4	1SCA022137R4760	36	Terminal clamp
OTZW24	1SCA022639R5610	38	Conversion kit	OZXB4/1	1SCA022194R0890	36	Terminal clamp
OTZW25	1SCA022778R6920	38	Conversion kit	OZXB4K	1SCA022199R2850	35	Terminal shroud
OTZW26	1SCA022778R7060	38	Conversion kit	OZXB5	1SCA022137R2470	36	Terminal clamp
OTZW6	1SCA022387R1890	38	Conversion kit	OZXB5/1	1SCA02194R1010	36	Terminal clamp
OTZW8	1SCA022421R7600	38	Conversion kit	OZXB5K	1SCA022283R8040	35	Terminal shroud
OWP5D1	1SCA022551R1160	38	Conversion kit	OZXB6	1SCA022137R4920	36	Terminal clamp
OWP5D2	1SCA022573R9340	38	Conversion kit	OZXB6/1	1SCA022194R1270	36	Terminal clamp
OWP5D3	1SCA022573R9420	38	Conversion kit	OZXB7	1SCA022185R0040	36	Terminal clamp
OWP5D4	1SCA022574R5660	38	Conversion kit	OZXB7/1	1SCA022194R1430	36	Terminal clamp
OWP6D1	1SCA022551R1830	38	Conversion kit	OZXB7L	1SCA022185R7130	36	Terminal clamp
OWP6D2	1SCA022551R1910	38	Conversion kit	OZXB7L/1	1SCA022194R1600	36	Terminal clamp
OXN250	1SCA022752R9950	34	Neutral link	OZXB8	1SCA022744R1510	36	Terminal clamp
OXN400	1SCA022770R3060	34	Neutral link	OZXB8/1	1SCA022744R1600	36	Terminal clamp
OXN800T	1SCA022829R0840	34	Neutral link	OZXB9	1SCA022750R3210	36	Terminal clamp
EXP12X166	1SCA022325R7100	30	Extended shaft	OZXB9/1	1SCA022750R3300	36	Terminal clamp
EXP12X185	1SCA022325R6710	30	Extended shaft	OZXE21	1SCA022161R8810	37	Busbar connector
EXP12X250	1SCA022325R6980	30	Extended shaft	OZXC1	1SCA022131R8690	32	Auxiliary contact
EXP12X250-45	1SCA022293R9400	31	Extended shaft	OZXC2	1SCA022131R8850	32	Auxiliary contact
EXP12X280	1SCA022137R5140	30	Extended shaft	OZXC3	1SCA022131R9070	32	Auxiliary contact
EXP12X280-45	1SCA022382R0800	31	Extended shaft	OZXC4	1SCA022131R9230	32	Auxiliary contact
EXP12X325	1SCA022042R5810	30	Extended shaft	OZXC5	1SCA022131R9400	32	Auxiliary contact
EXP12X325-45	1SCA022304R4450	31	Extended shaft	OZXC6	1SCA022131R9660	32	Auxiliary contact
EXP12X395	1SCA022042R5990	30	Extended shaft	OZXL1	1SCA022439R6770	36	Terminal clamp
EXP12X395-45	1SCA022749R0640	31	Extended shaft	OZXL1/1	1SCA022469R6220	36	Terminal clamp
EXP12X465	1SCA022042R6020	30	Extended shaft	OZXT1	1SCA022469R6310	36	Terminal clamp
EXP12X465-45	1SCA022423R1770	31	Extended shaft	OZXT2	1SCA022620R7200	36	Terminal clamp
EXP12X535	1SCA022042R6110	30	Extended shaft	OZXT3	1SCA022639R0720	36	Terminal clamp
EXP12X535-45	1SCA022723R2940	31	Extended shaft	SA1	1SCA022401R8230	40	Locking accessories
EXP5X150	1SCA022376R7300	30	Extended shaft	ST	1SCA022407R8210	29	Handle accessories
EXP5X150-45	1SCA022474R1970	31	Extended shaft	ST-E	1SCA022407R8300	29	Handle accessories
EXP5X170	1SCA022376R7480	30	Extended shaft	YASDA21	1SCA022098R9420	27	Optional handle
EXP5X170-45	1SCA022474R2270	31	Extended shaft	YASDA6	1SCA022071R2890	27	Optional handle
EXP5X265	1SCA022376R7560	30	Extended shaft	YASDA7	1SCA022071R3010	27	Optional handle
EXP5X265-45	1SCA022474R2010	31	Extended shaft	YASDA8	1SCA022071R3270	27	Optional handle
EXP5X400	1SCA022376R7640	30	Extended shaft	YAST1	1SCA022301R5350	24	Optional handle
EXP5X400-45	1SCA022474R2190	31	Extended shaft				
EXP6X130	1SCA022057R0570	30	Extended shaft				
EXP6X130-45	1SCA022355R9110	31	Extended shaft				
EXP6X150	1SCA022295R5600	30	Extended shaft				
EXP6X150-45	1SCA022294R4400	31	Extended shaft				
EXP6X161	1SCA022067R1760	30	Extended shaft				
EXP6X210	1SCA022295R6080	30	Extended shaft				
EXP6X210-45	1SCA022294R4230	31	Extended shaft				
EXP6X290	1SCA022042R6370	30	Extended shaft				
EXP6X290-45	1SCA022304R4290	31	Extended shaft				
OXS5X105	1SCA022347R3650	30	Extended shaft				
OXS5X120	1SCA022347R3730	30	Extended shaft				
OXS5X130	1SCA022353R4540	30	Extended shaft				
OXS5X160	1SCA022389R0170	30	Extended shaft				
OXS5X180	1SCA022353R4620	30	Extended shaft				
OXS5X250	1SCA022376R6670	30	Extended shaft				
OXS5X330	1SCA022353R4710	30	Extended shaft				
OXS5X85	1SCA022347R3570	30	Extended shaft				
OZXB9	1SCA022750R3210	36	Terminal clamp				
OZXA14	1SCA022008R7810	36	Terminal clamp				



ABB Oy

Low Voltage Products
P.O. Box 622
FI-65101 VAASA, Finland
Telephone +358 10 22 11
Telefax +358 10 22 45708
www.abb.com

The technical data and dimensions are valid at the time of printing. We reserve the right to subsequent alterations.

The operations of the manufacturing plant have been certified.

