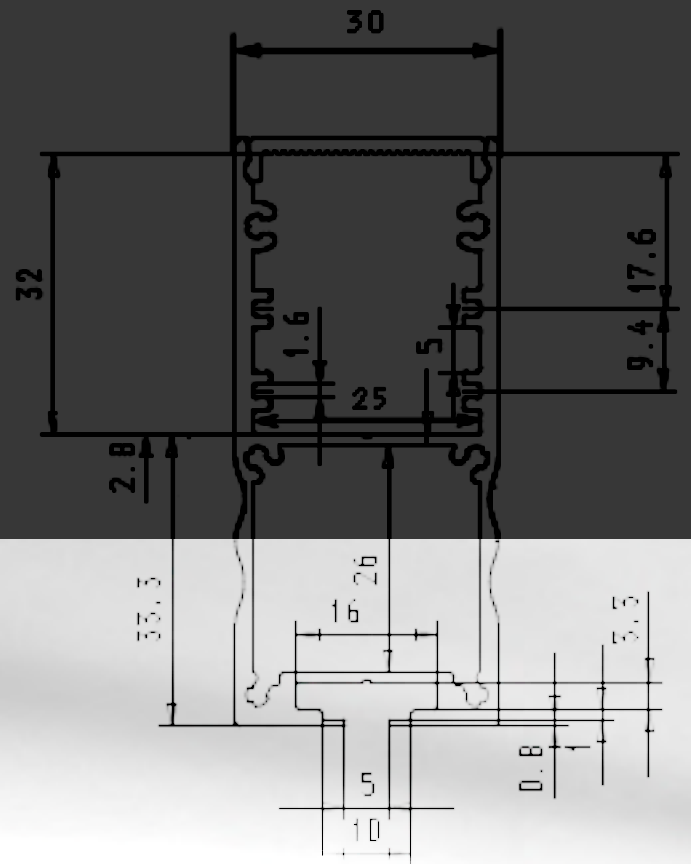


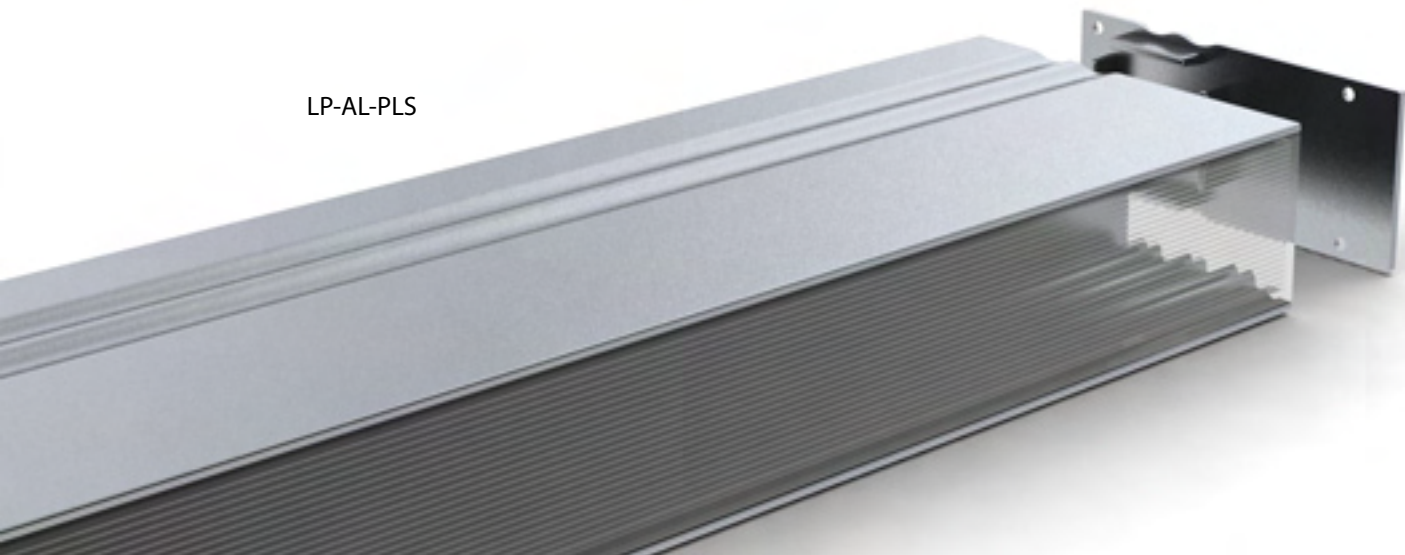
Quality alu LED profiles



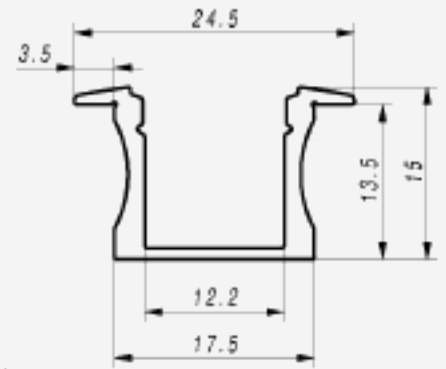
Power Line Slim 30

LP-EC-PLS
(aluminum end caps)

LP-AL-PLS



RECESSED SLIM LINE 15mm



Introduction:

It is recessed type of the aluminum LED profile to build into material as MDF or other. The profile can be also recessed into floor (with IP54 LED ribbon inside only), wall or ceiling and the wide edges of the profile will cover the edges of insertion row completely. Extruded polycarbonate, high quality diffuser now is placing/removing from the front on click. It is UV resistant, and damage resistant (walk over safe, tested). Customer has a choice of three types of the diffusers what can be placed into that LED profile, frosted, 50% frosted and transparent.

The fully frosted diffuser do not shows led dots on the diffuser surface and the LED's are not visible. Frosted diffuser is giving nice smooth light line. Base of the profile is made from anodized aluminum in standard silver color. The product can be customizing like anodized in 9 different colors, and paint in any RAL color. Additionally on the outside surface we can place tin/screch resistant foil, which imitates the wood structure on the profile for perfect mach with kitchen cabinets. All most popular woods structure foils are available.

Profile is available on stock in 1m or 2m sections with finish accessories as end caps or mounting brackets. The aluminum profile will provide mechanical and thermal protection for the LEDs. The profile can be use with high power LED's up to 1W each. Led profiles are IP20 can be use outside with IP67 led ribbons only.

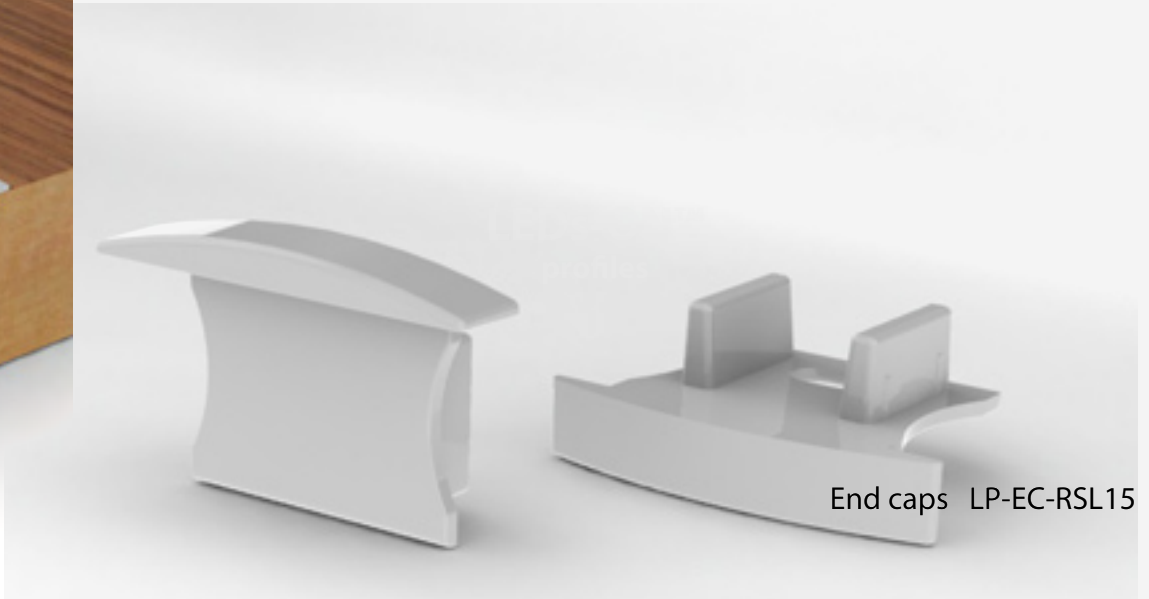
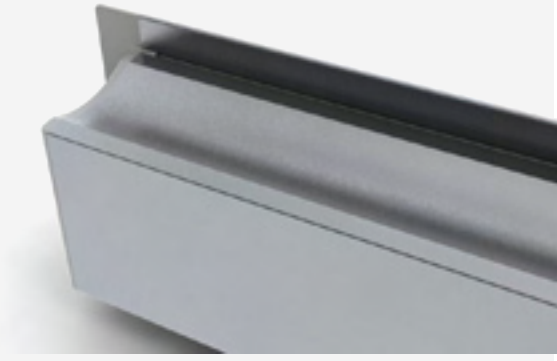
Applications:

- Recessed under kitchen cabinets LED lighting
- Floor led lighting (with IP54 led's)
- Recessed storage shelves LED lighting
- Gypsum ceiling, wall accent LED lighting
- Furniture production
- Exhibition boot LED lighting
- Interior LED accent lighting

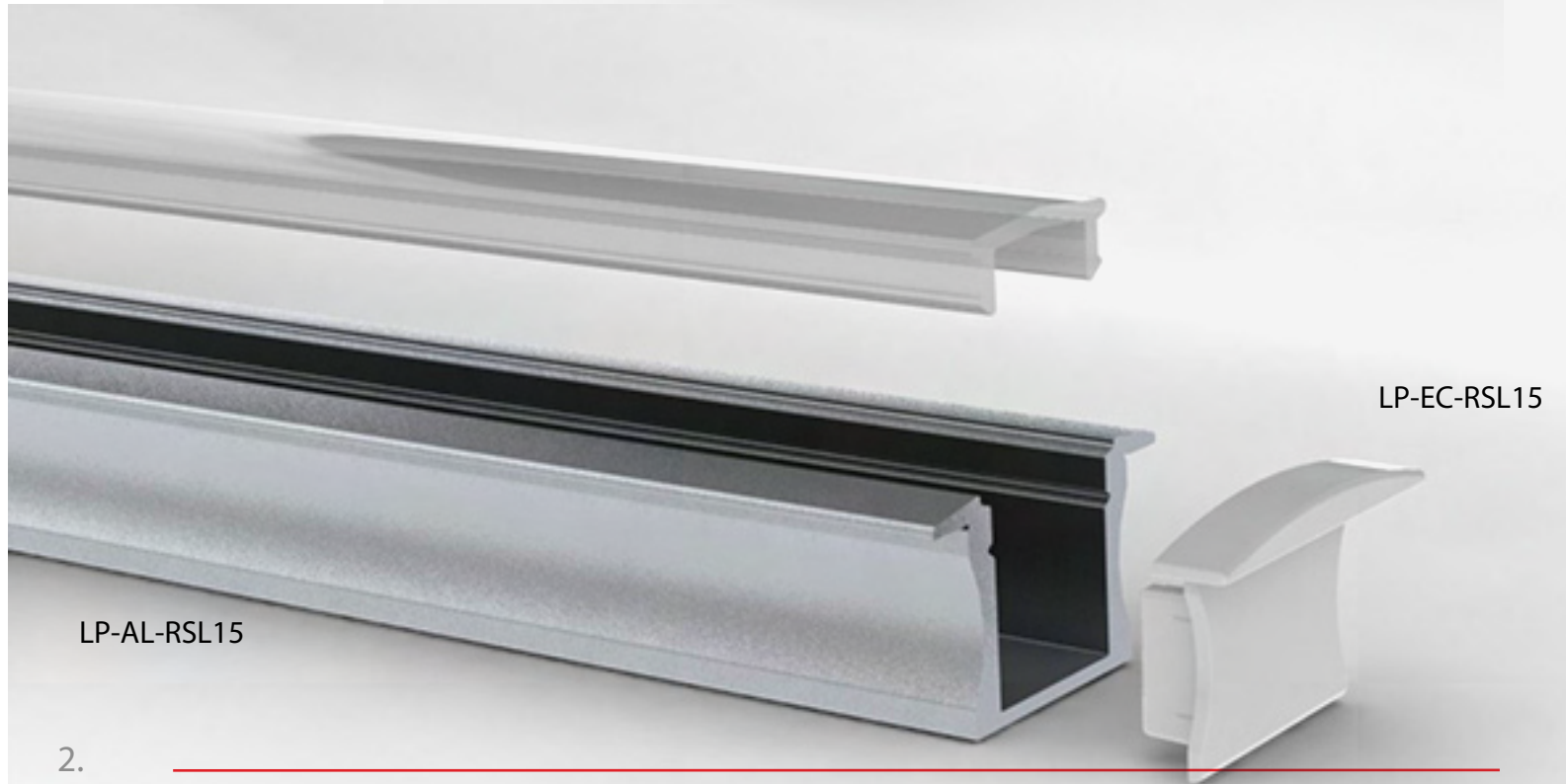
LP-AL-RSL15



RECESSED SLIM LINE 15mm

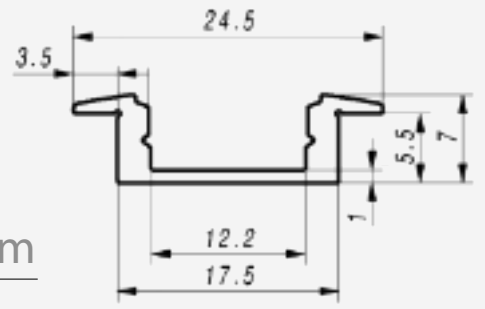


End caps LP-EC-RSL15



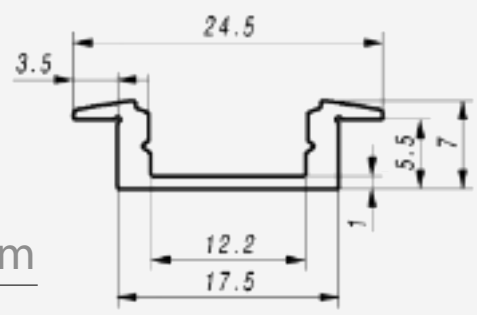
LP-AL-RSL15

LP-EC-RSL15



RECESSED SLIM LINE 7mm





RECESSED SLIM LINE 7mm

LP-AL-RSL7



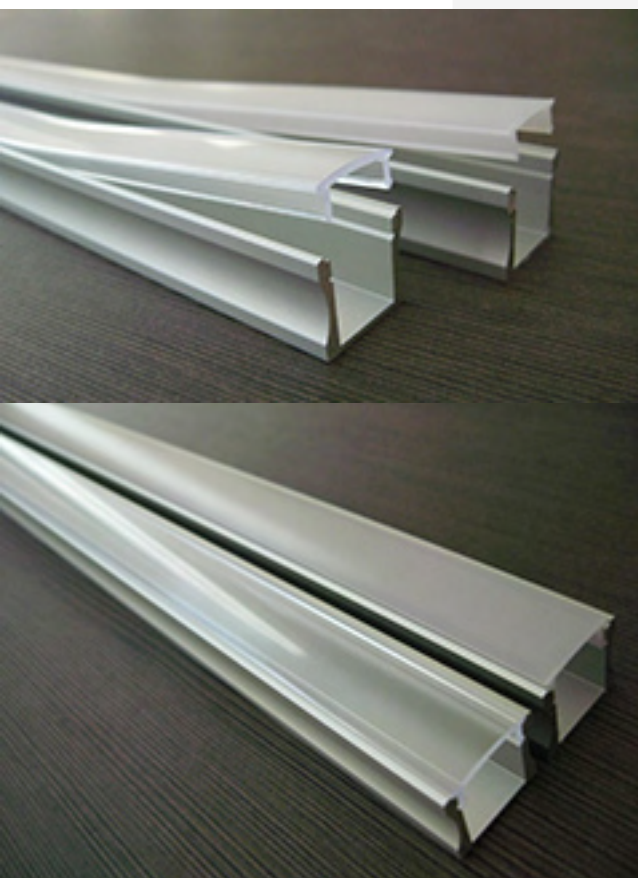
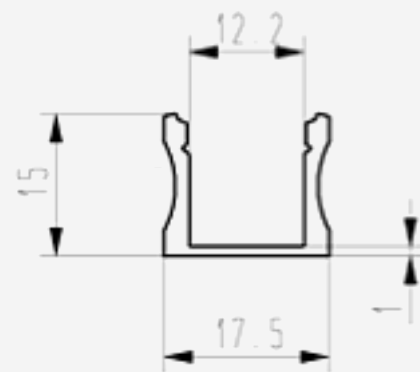
End caps - LP-EC-RSL7



LP-AL-RSL7

LP-EC-RSL

SLIM LINE 15mm



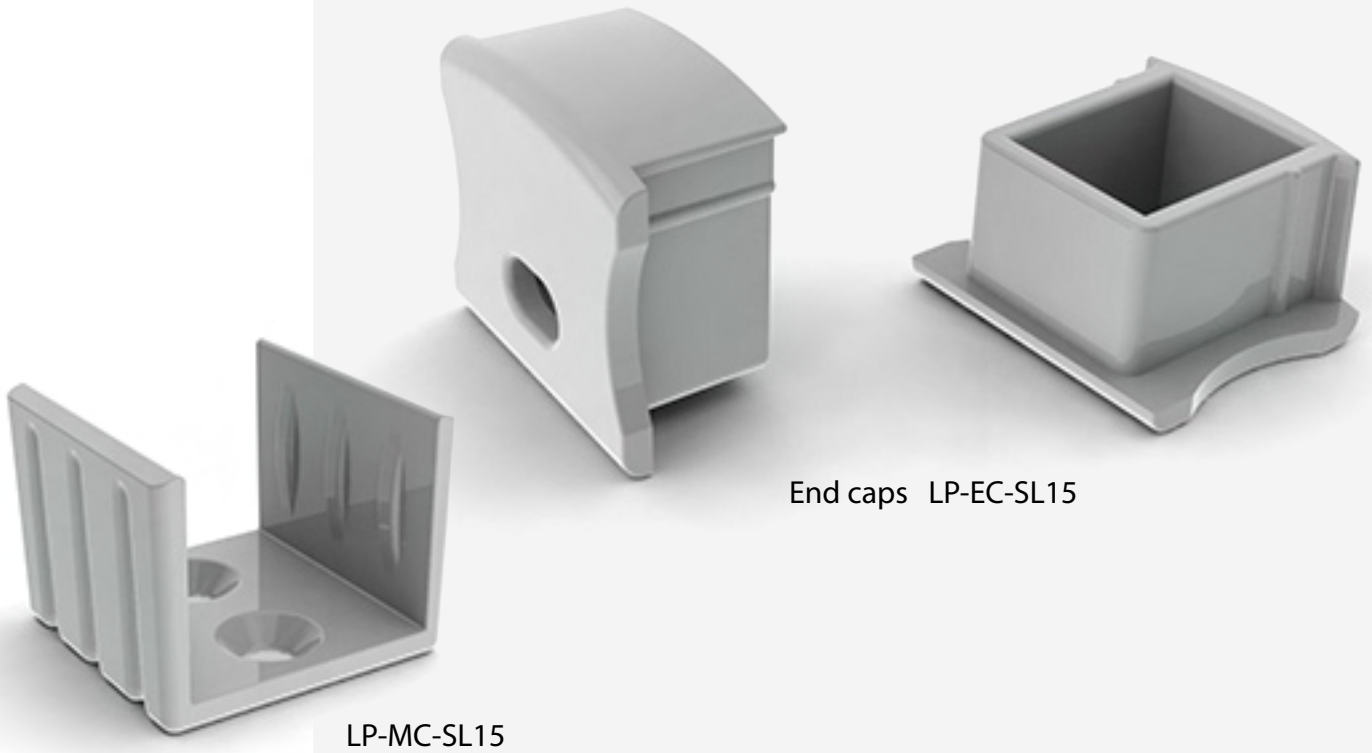
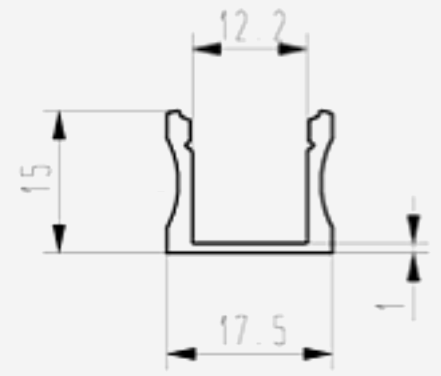
Features:

- High quality diffuser, placing/removing from front on click
- Led dots free profile (frosted)
- Walk on safe diffuser, UV resistant polycarbonate diffuser
- Available with 50% frosted, frosted and transparent diffuser
- LED dots free on frosted diffuser (high density LED's ribbon)
- Made from anodizing aluminum
- Suitable for low/high power led bars
- Available lengths – 1m, 2m
- Heat sink and physical protection to the LEDs
- For indoor use only

Applications:

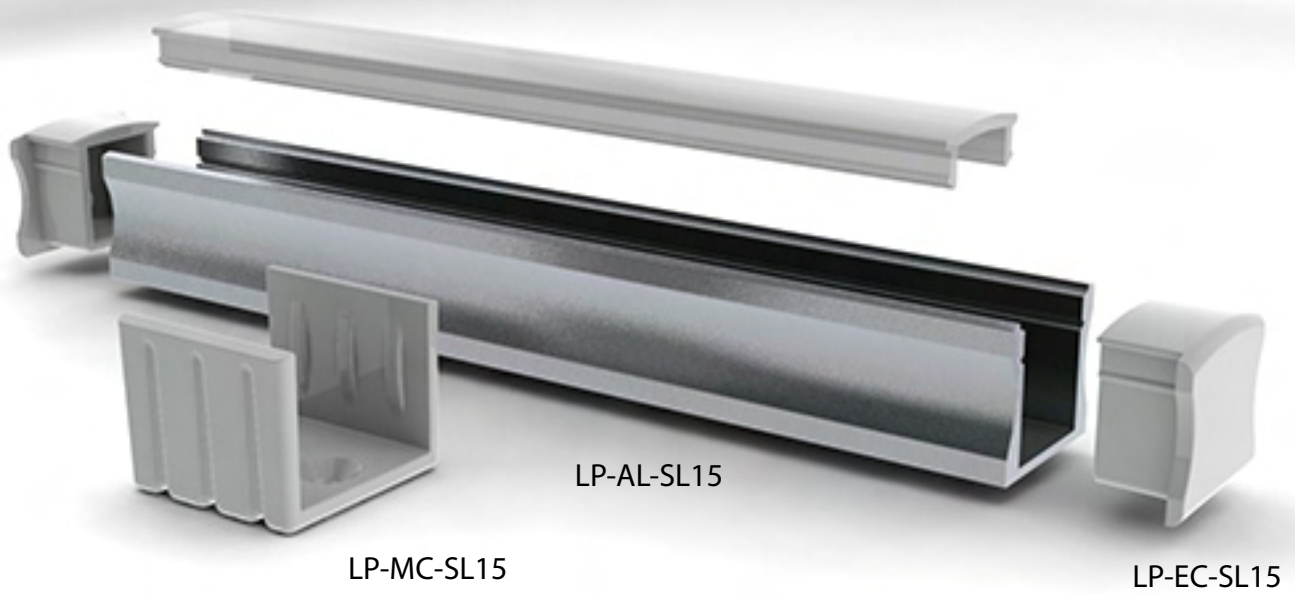
- Furniture production (kitchen / office)
- Interior light design (stairs / storage / floor)
- Stores shelf LED lighting
- Independent LED lamp
- Exhibition boot LED lighting

SLIM LINE 15mm



LP-MC-SL15

End caps LP-EC-SL15

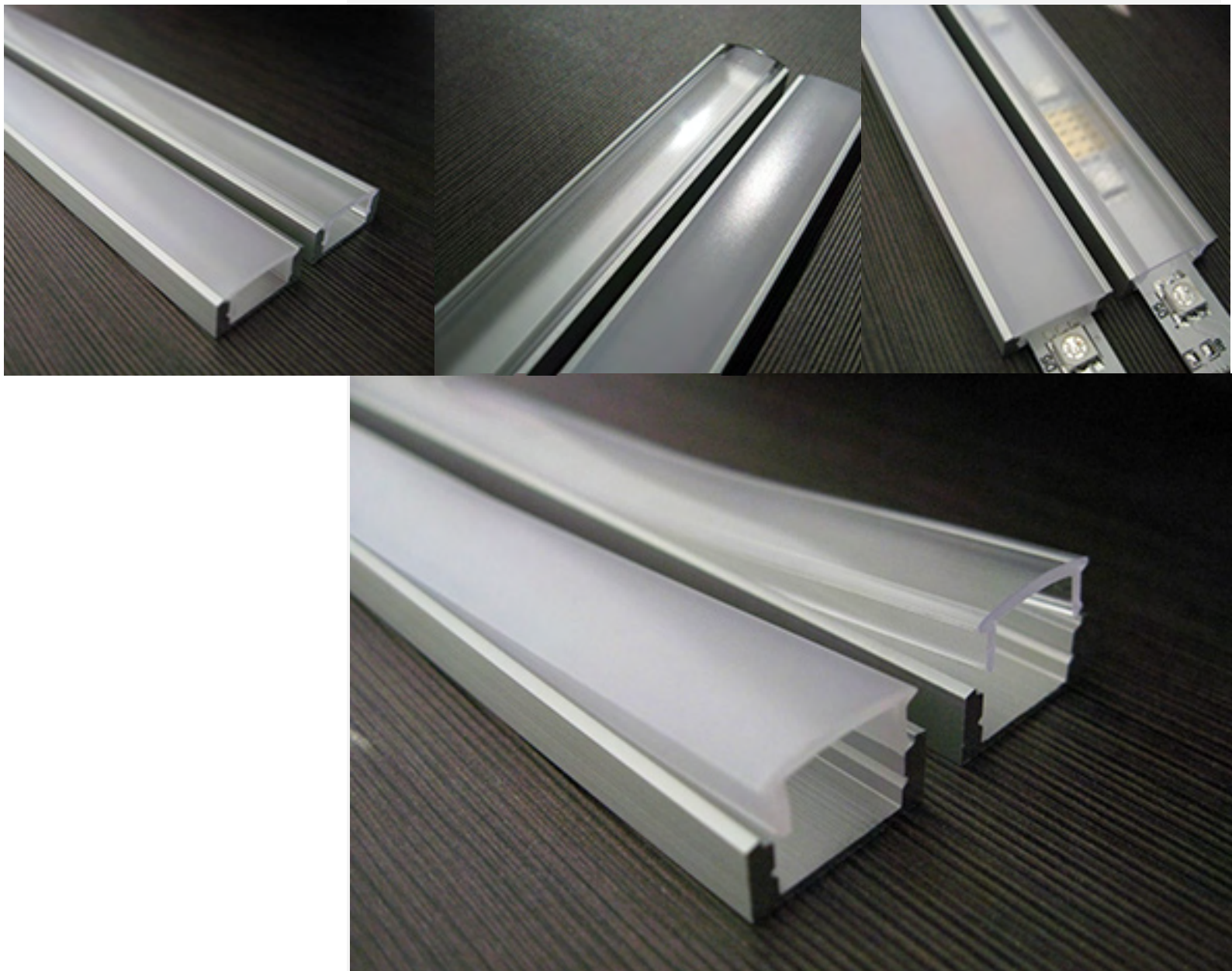
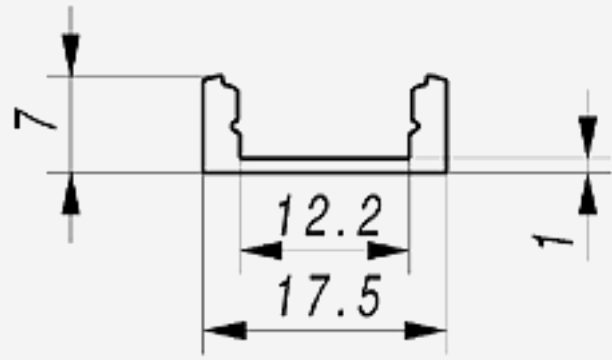


LP-AL-SL15

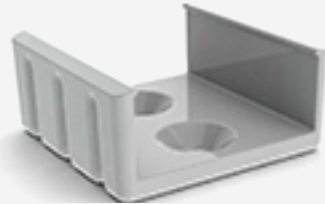
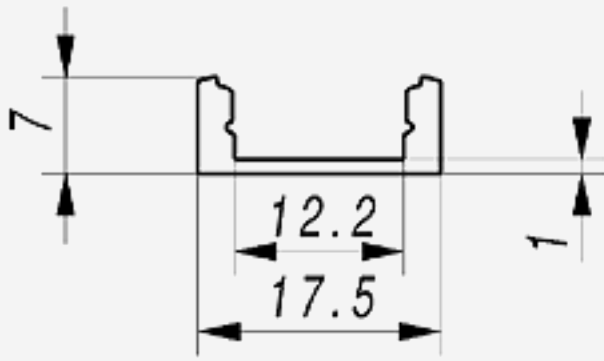
LP-MC-SL15

LP-EC-SL15

SLIM LINE 7mm



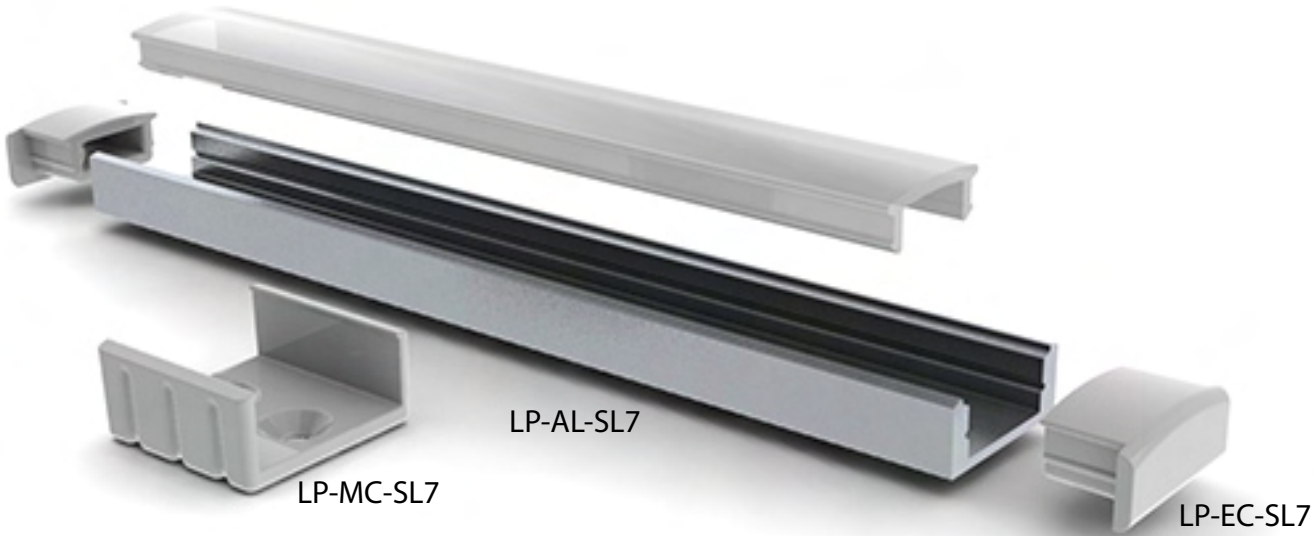
SLIM LINE 7mm



LP-MC-SL7



End caps LP-EC-SL7



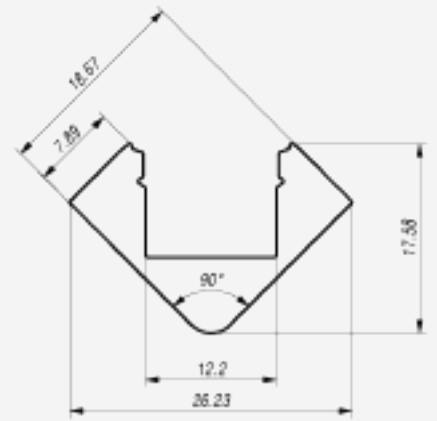
LP-AL-SL7

LP-MC-SL7

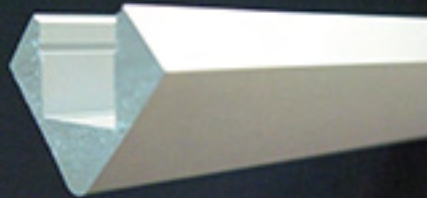
LP-EC-SL7

Patented

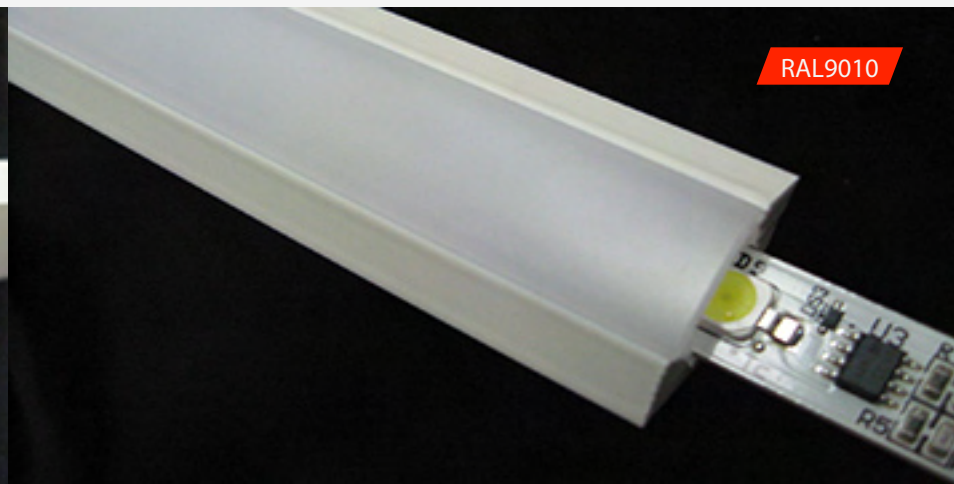
ALU-45 (45 degree light angle)



Anodized

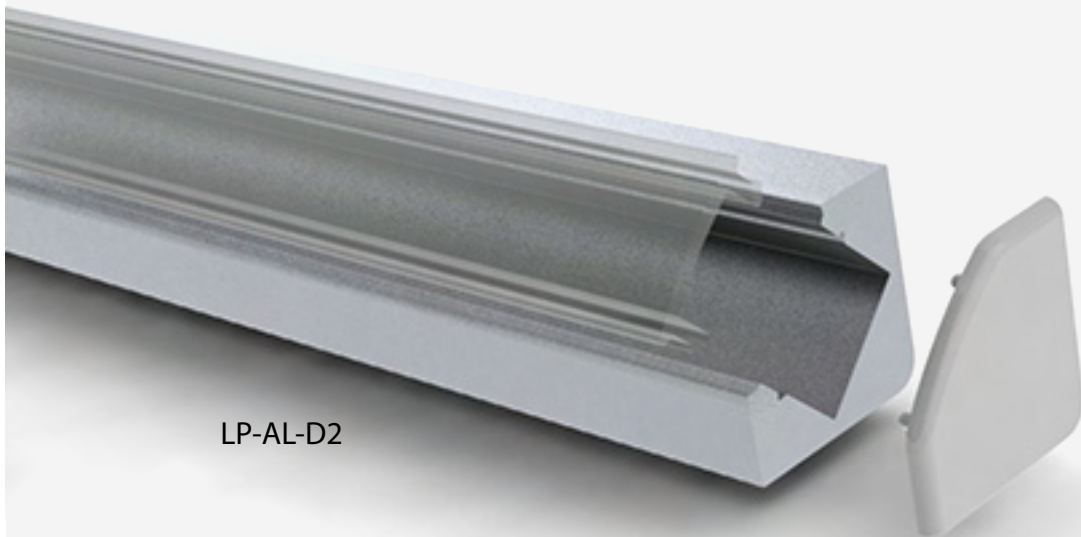


RAL9010



profiles
for led lighting

ALU-45°
(45 degree light angle)



LP-AL-D2

LP-EC-D1
End cap



LP-EC-D1
End cap w/out
cable hole

LP-EC-D2
End cap w/out
cable hole



LP-MC-D1
Mounting bracket

Features:

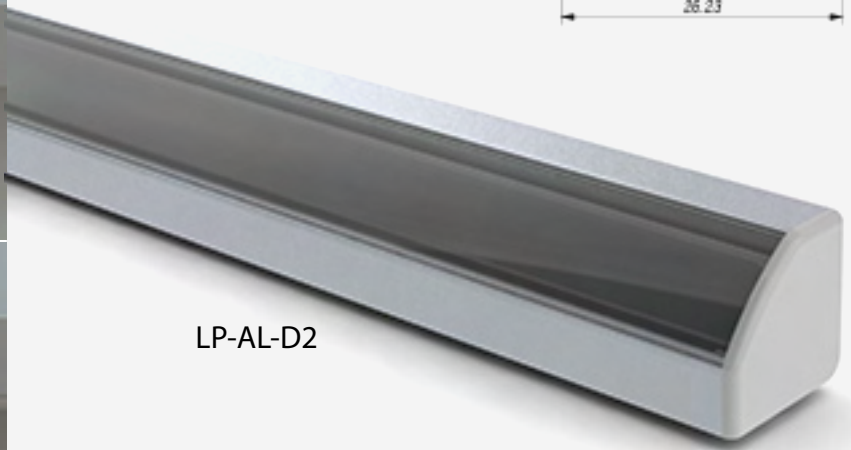
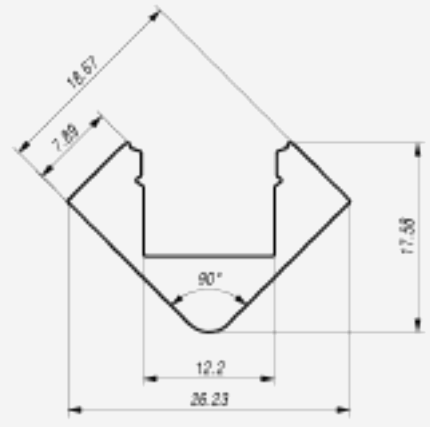
- High quality diffuser now placing from the front on click
- Polycarbonate UV resistant, damage resistant (walk over safe)
- Diffuser available in transparent, 50% opal and opal
- Base of the profile is made in anodized aluminum
- Profile available in RAL9010 and standard anode color
- Profile is available in lengths 1m/2m or 3,5m (large quantity order)
- ALU-CORNER is suitable for low power and high power leds
- Simplicity design with high quality finish

Applications:

- Under kitchen cabinets LED lighting
- Stores shelves LED lighting
- Furniture production, inside cabinets LED lighting
- Storage shelves LED lighting
- Exhibition boot LED lighting
- Interior LED lighting

ALU-45° INSTALATION OPTIONS

Patented



End cap
LP-EC-D1

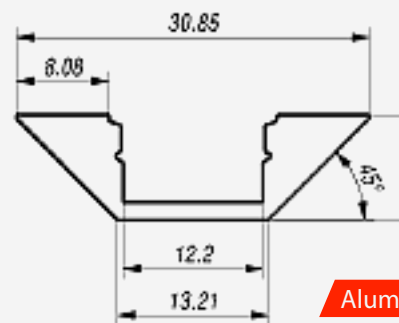


Mounting bracket
LP-MC-D1

End cap
with cable
hole

ALU-CORNER

Profile is made from anodizing aluminum with 45° LED light emitting angle. It is perfect solution for under kitchen cabinets, store shelves LED lighting. The light emitted by the leds is directed by the profile in 45° degree angle and do not blind the person who is standing in front of it. The profile is available in anodized version of aluminum and RAL9010. Profile comes with polycarbonate UV resistant diffuser, which now is placed/removed, into the profile from front on click. The customer has choice of use transparent, 50% frosted and frosted diffuser. Profile provides mechanical and thermal protection (heat sink) to the leds and is suitable for high power LED bars.



Aluminum



Ral 9010



Anodized



LP-AL-RE2

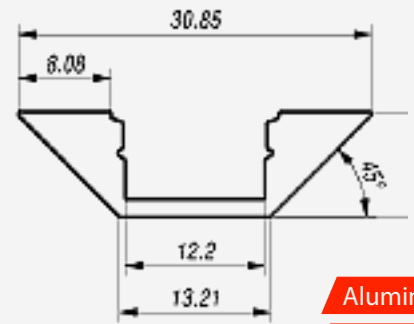


LP-AL-E2

LED profiles

for led lighting

ALU-CORNER



Aluminum

Ral 9010

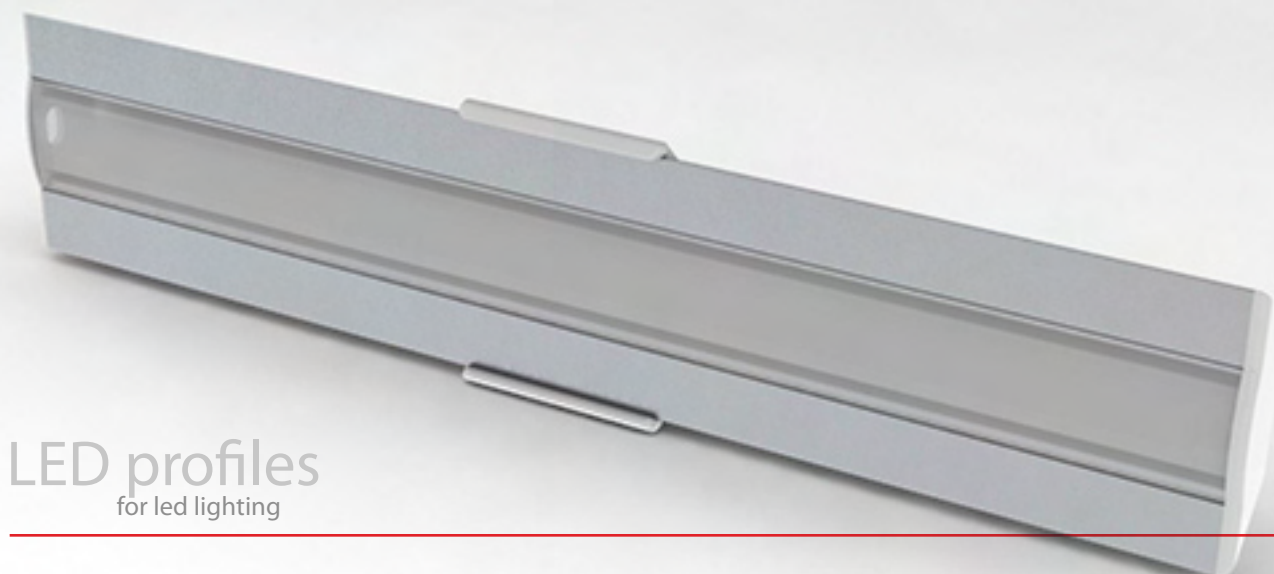


Features :

- High quality diffuser now placed from the front on click
- Polycarbonate UV resistant, damage resistant (walk over safe)
- Diffuser available in transparent, 50% opal and opal
- Base of the profile is made in anodized aluminum
- Profile is available in RAL9010 and standard anodized color
- Profile is available in lengths 1m/2m or 3,5m (large quantity order)
- ALU-CORNER is suitable for low power and high power leds
- Simplicity in design with high quality finish

Applications:

- Under kitchen cabinets LED lighting
- Stores shelves LED lighting
- Furniture production, inside cabinets LED lighting
- Storage shelves LED lighting
- Exhibition boot LED lighting
- Interior LED lighting

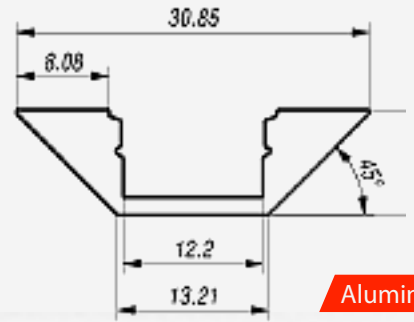


LED profiles
for led lighting

Anodized
Ral 9010

Patented

ALU-CORNER ACCESSORIES



Aluminum



LP-MC-E1
Mounting bracket

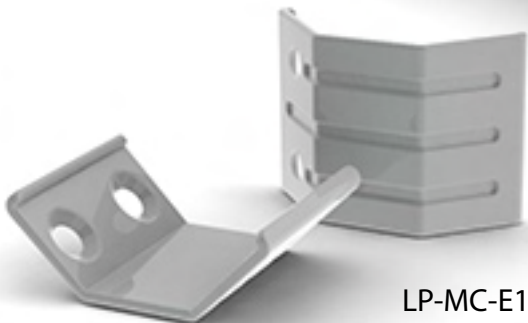


LP-EC-E1

LP-EC-E2
End cap with
cable hole



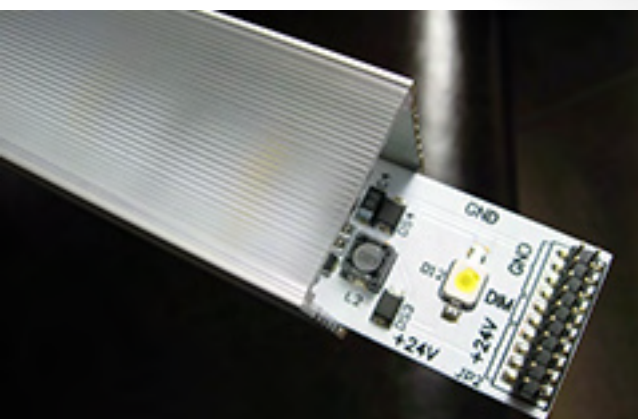
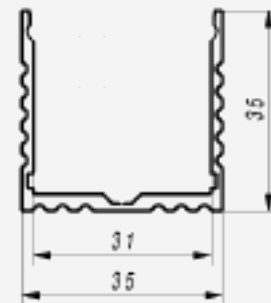
LP-EC-E2



LP-MC-E1

LED profiles
for led lighting

POWER LINE 35mm



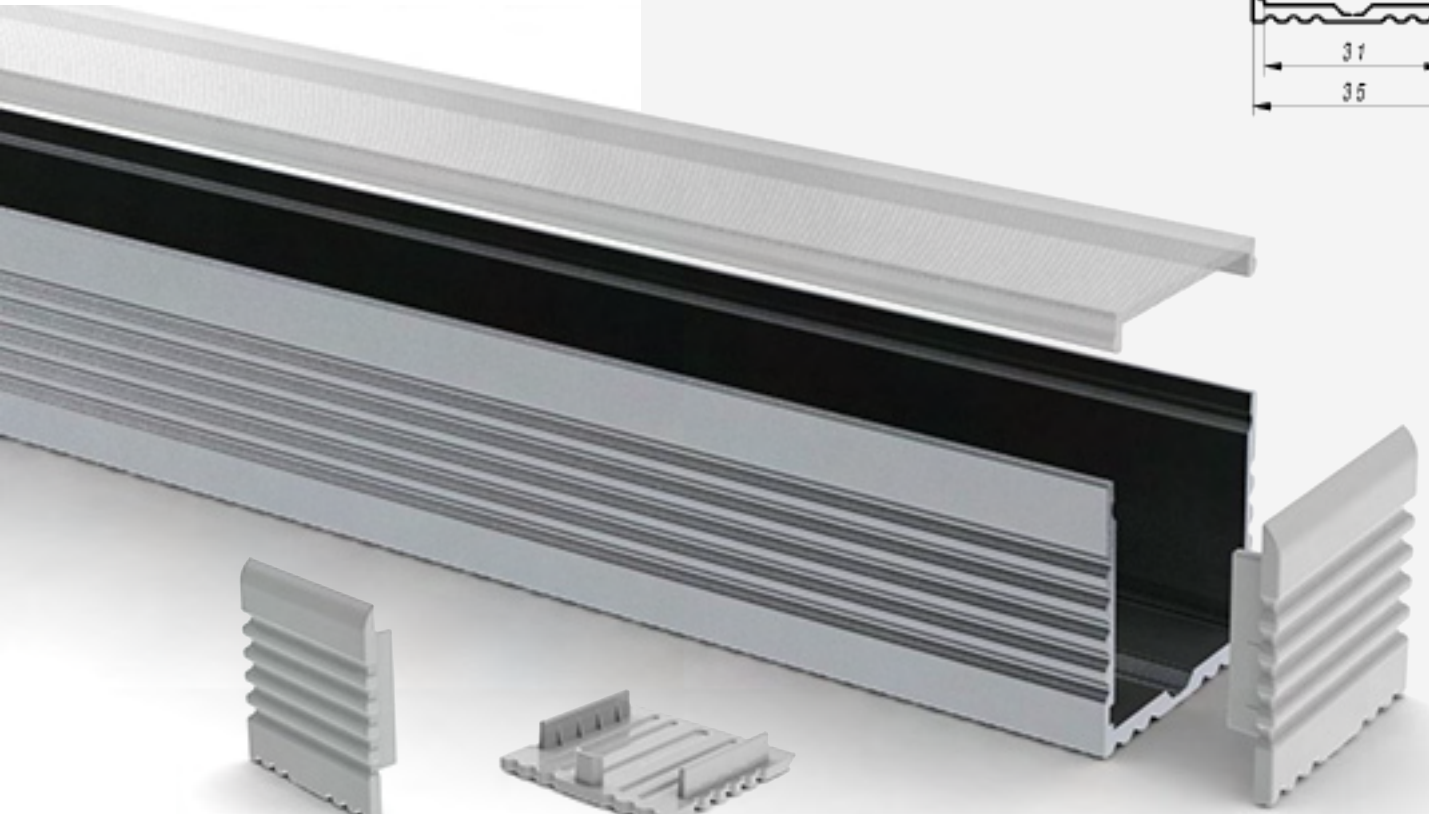
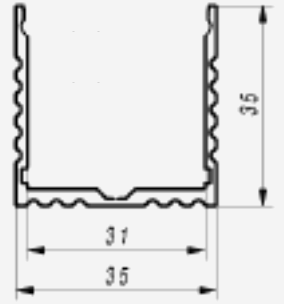
Power Line 35mm

This profile is dedicated to be use as the LED lighting fixture for main lighting at the offices, libraries show rooms or above the kitchen table. It is made from anodized aluminum and is suitable for up to 32mm wide high power LED bars.

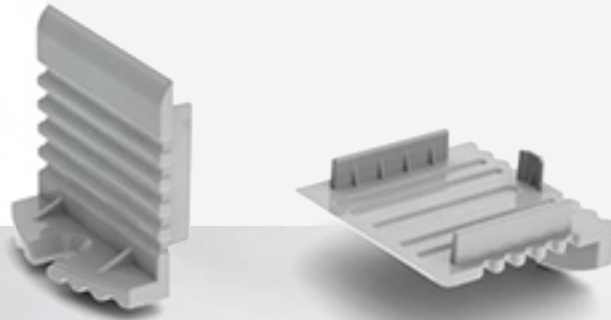
The profile can be suspended from the ceiling on the stainless still wires or can be screw it directly to the surface. Profile comes with polycarbonate UV resistant frosted or transparent diffuser placed and removed from the front on click.

We have designed two types of finished end cups for two different installation options. Profile is available in length of 1m or 2m.

POWER LINE 35mm

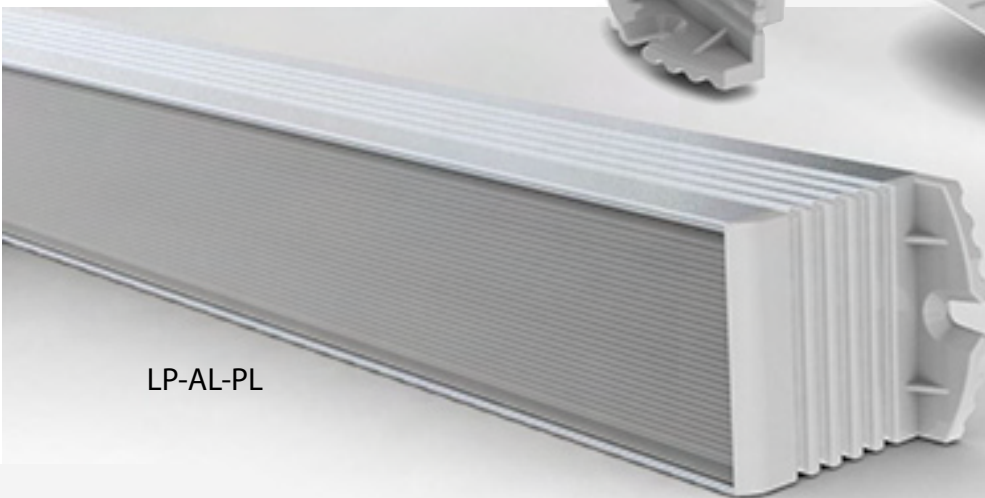


End caps type
LP-EC-PL1

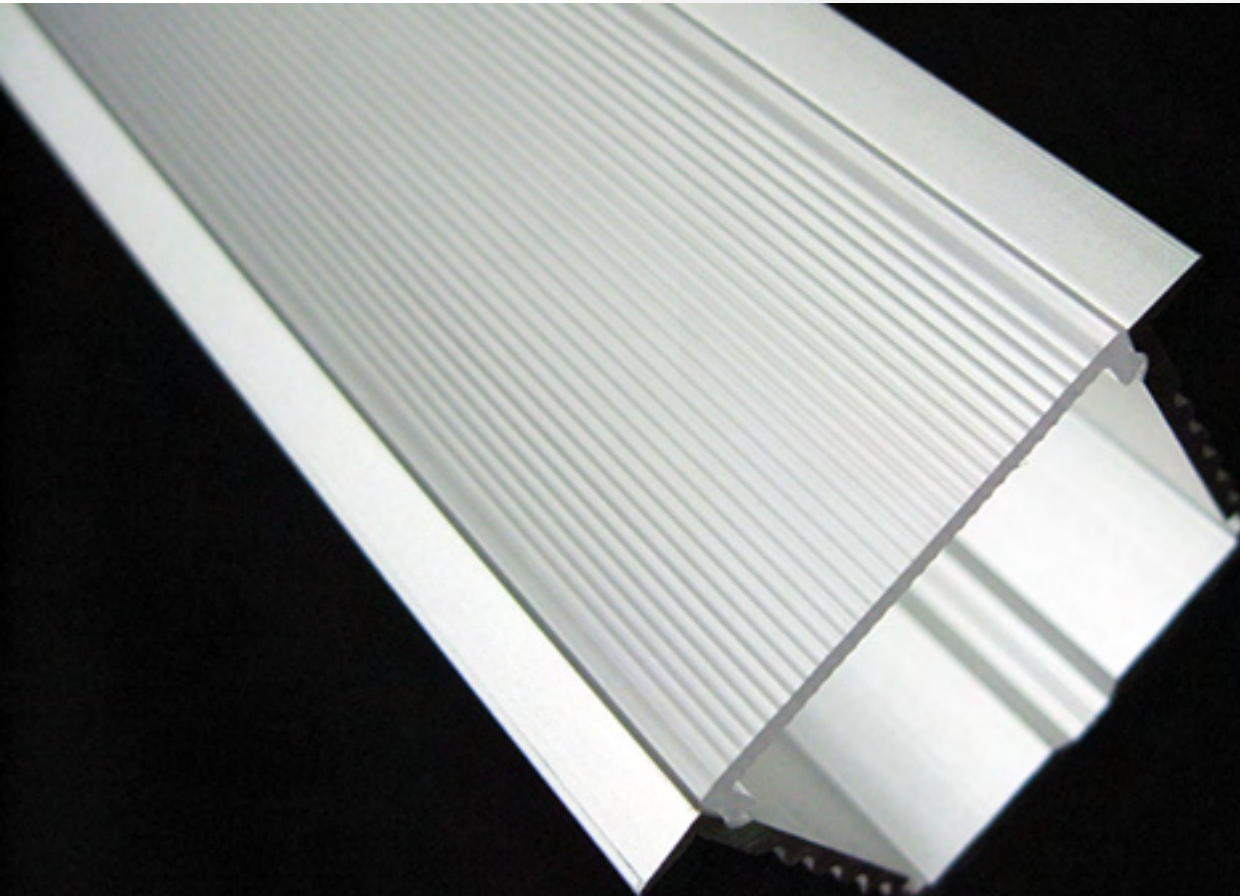
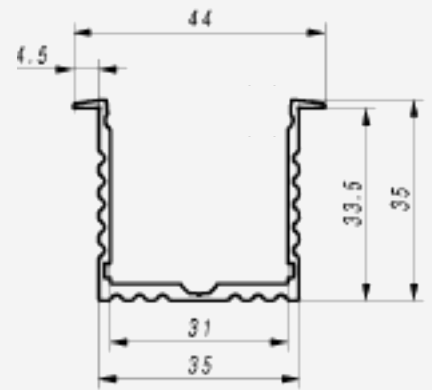


End caps type
LP-EC-PL2

LP-AL-PL



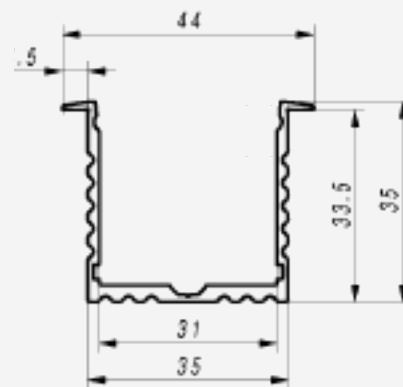
RECESSED POWER LINE 35mm



Recessed Power Line 35mm

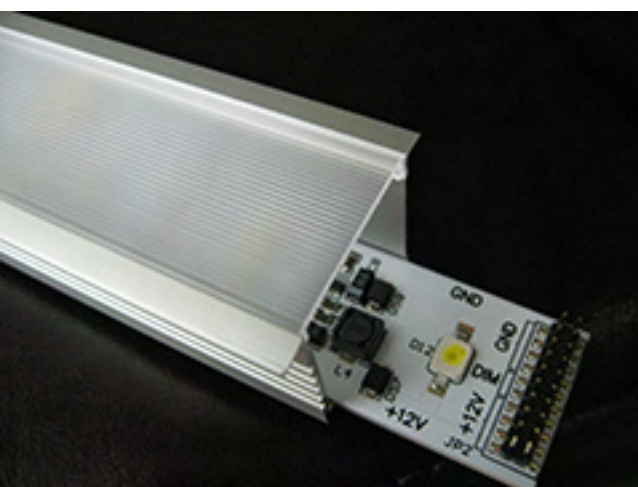
This profile is dedicated to build into the gypsum ceiling as the LED lighting fixture for main lighting at the offices, show rooms, restaurants and shops. It is made from anodized aluminum and is suitable for up to 32mm wide high power LED bars. Profile comes with polycarbonate UV resistant frosted or transparent diffuser placed and removed from the front on click. The light diffusion with the frosted diffuser is complete. RPL35 is giving soft light on the whole surface. Profile is dedicated for the high power LED lighting. It is available in length of 1m or 2m.

RECESSED POWER LINE 35mm



LP-AL-RPL

LP-EC-RPL



Features:

- High quality polycarbonate diffuser
- No LED dots shows on the diffuser surface
- Right high, soft and smooth light diffusion
- Diffuser is placed/removed from the top on click
- High quality anodized aluminum base
- Heavy duty "heat sink" for high power LEDs
- Compatible with our 30mm wide high power LED bars
- Matching finish end cups for this profile are available
- Gypsum ceiling installation
- Available in length of 2m/1m with clear or frosted diffuser

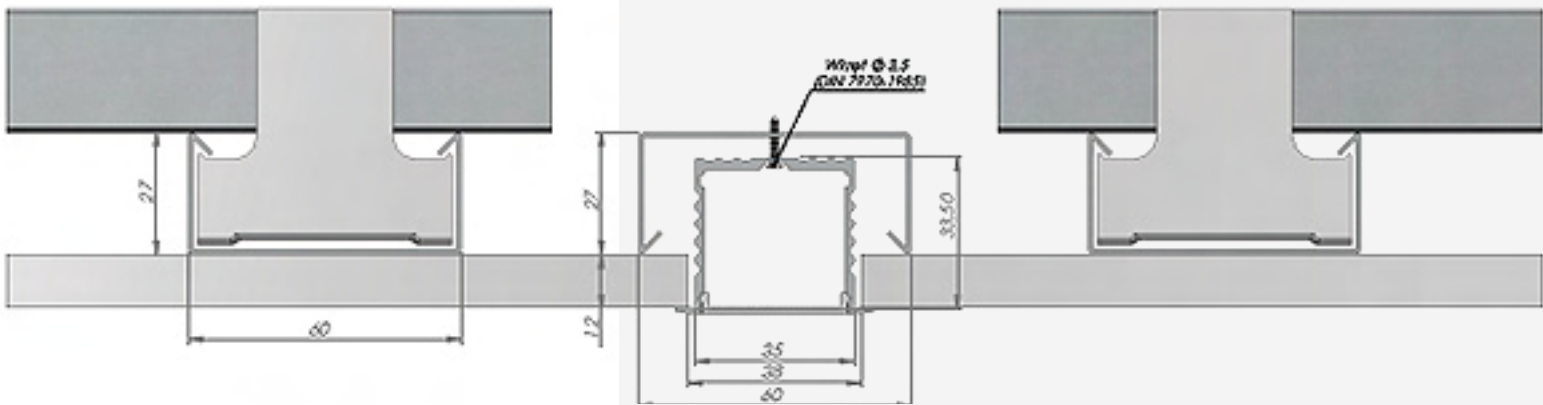
Application:

- Show rooms ceiling LED lighting
- Restaurants ceiling LED lighting
- Shopping malls LED lighting

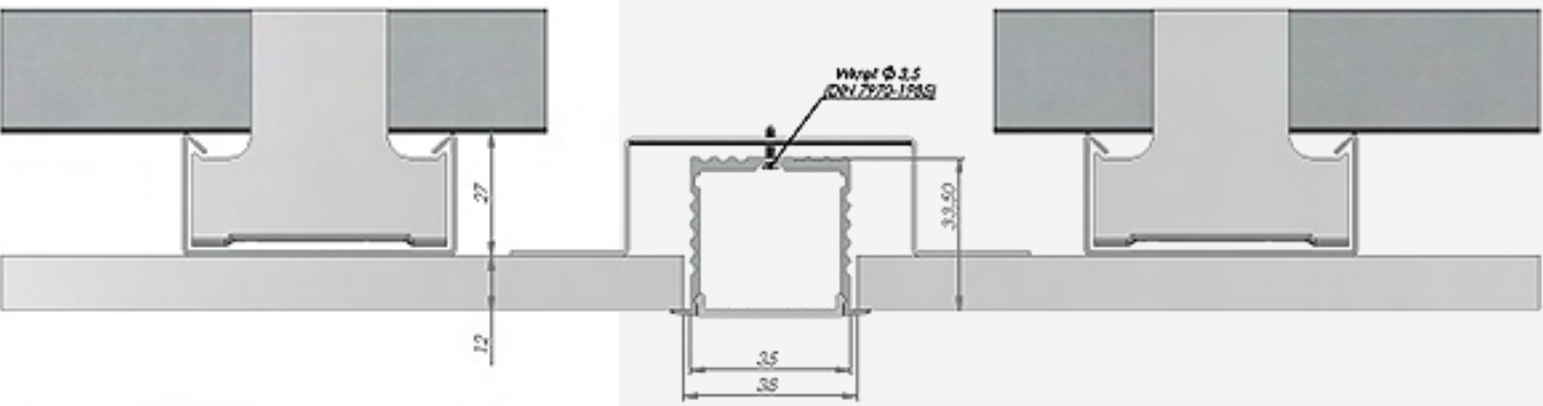
RECESSED POWER LINE 35
INSTALLATION OPTIONS
Gypsum ceiling installation



OPTION 1. W/OUT FIRE RESTRICTIONS



OPTION 2. W/OUT FIRE RESTRICTIONS

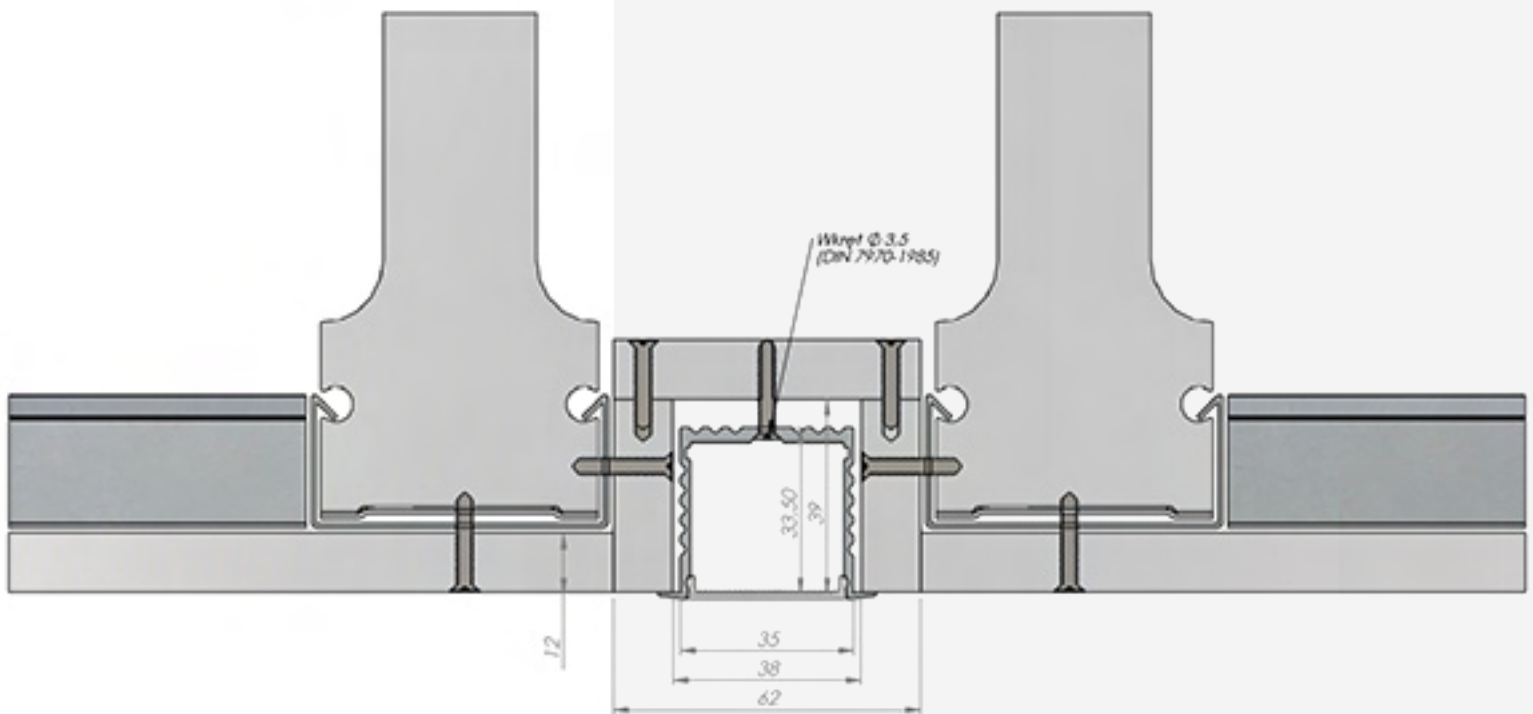


RECESSED POWER LINE 35
INSTALLATION OPTIONS

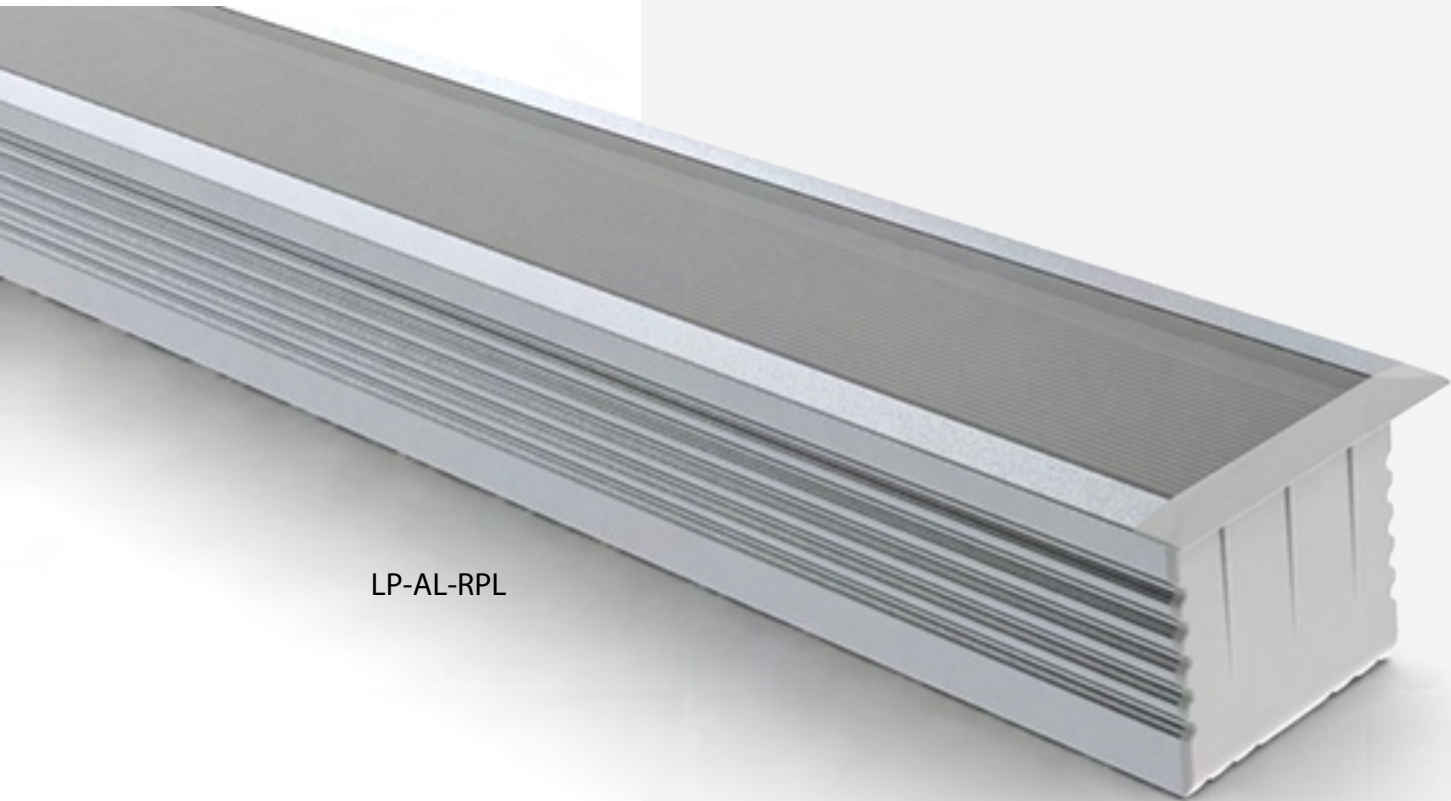
Gypsum ceiling installation



OPTION 3. WITH FIRE RESTRICTIONS



RECESSED POWER LINE 35 ACCESSORIES



LP-AL-RPL



LP-EC-RPL1



END CAP

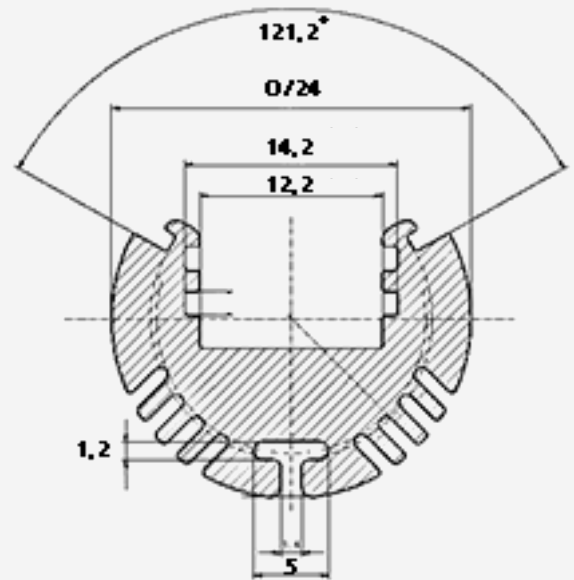
ALU-ROUND

Features:

- High quality round shape polycarbonate diffuser
- Diffuser is placed/removed from the top on click
- High quality anodized aluminum base
- Heavy duty "heat sink" for high power LEDs
- Compatible with up to 12mm wide high power LED bars
- Available finish end caps and mounting system with angle regulation
- Two different installation options (wall or suspended)
- Available in length of 2m/1m with clear or frosted diffuser

Application:

- Hotels headboard bed reading lamp with angle regulation
- Show rooms track LED lighting
- Reception desk main LED lighting
- Restaurants above table main LED lighting
- Shopping boutiques exposition LED lighting



ALU-ROUND LED Profile

This is small round shape LED profile with round diffuser. It has been designed for high power led lighting. Massive aluminum weight provides excellent mechanical and thermal protection to the LEDs. The profile is made from anodized aluminum and it comes with round UV resistant polycarbonate clear or frosted diffuser. The installation of the diffuser is from the front on click. Installation and removing is easy and simple. It comes in 1m or 2m sections and is suitable for high power led lighting.

The ALU-ROUND can be installed in the wardrobe or closet as the clothes rod led lighting, in the jewelry cases, refrigerated cabinets at the grocery store and other places.

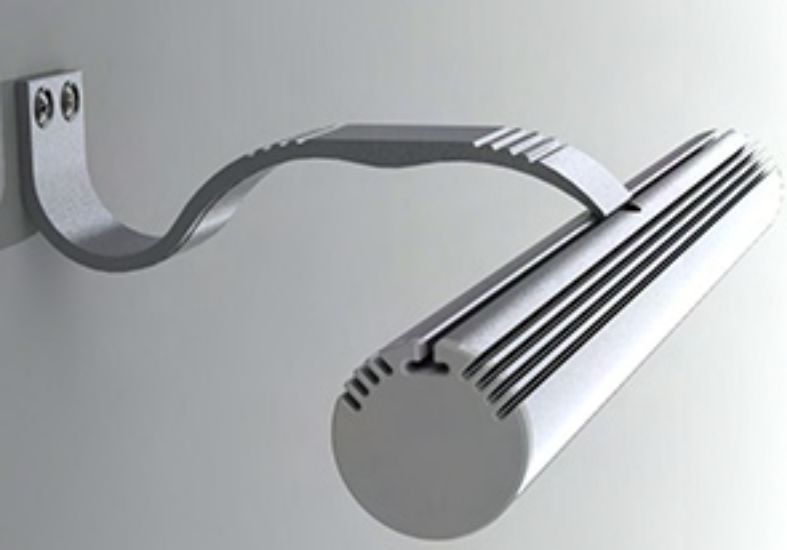


ALUMINUM END CAPS

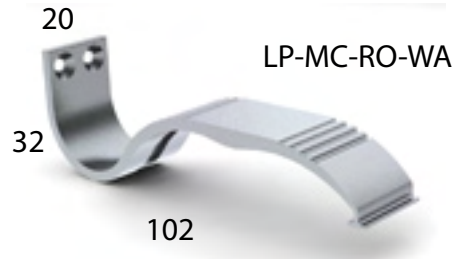
profiles
for the led lighting

ALU-ROUND ACCESSORIES

NEW



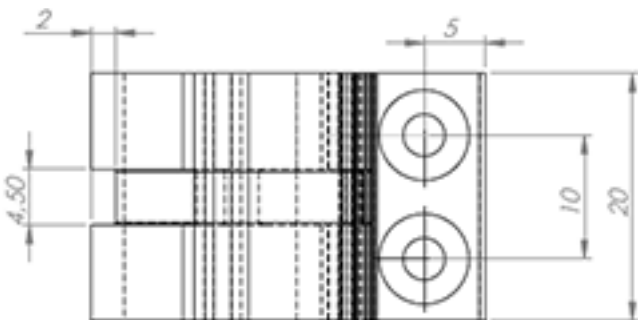
Wall-Arm



This is specially dedicated wall arm for the Alu-Round Led profile. The special material will draw behind the profile is allowing us to slide in the arm and hold firmly in place the LED fixture.

The power feeding cable was transferred to the profile thru the wall arm the best possible way.

The profile now can be installed at any place on the wall lighting up the wall or some objects standing next to. The design of the wall arm is matching with the design of the Alu-Round profile.



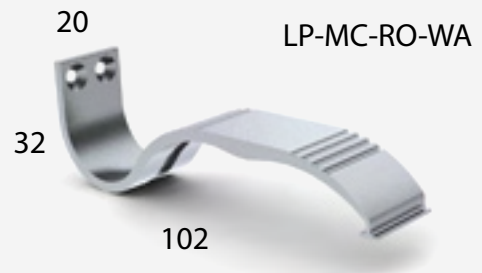
profiles
for the led lighting

ALU-ROUND ACCESSORIES

NEW



LP-AL-RO



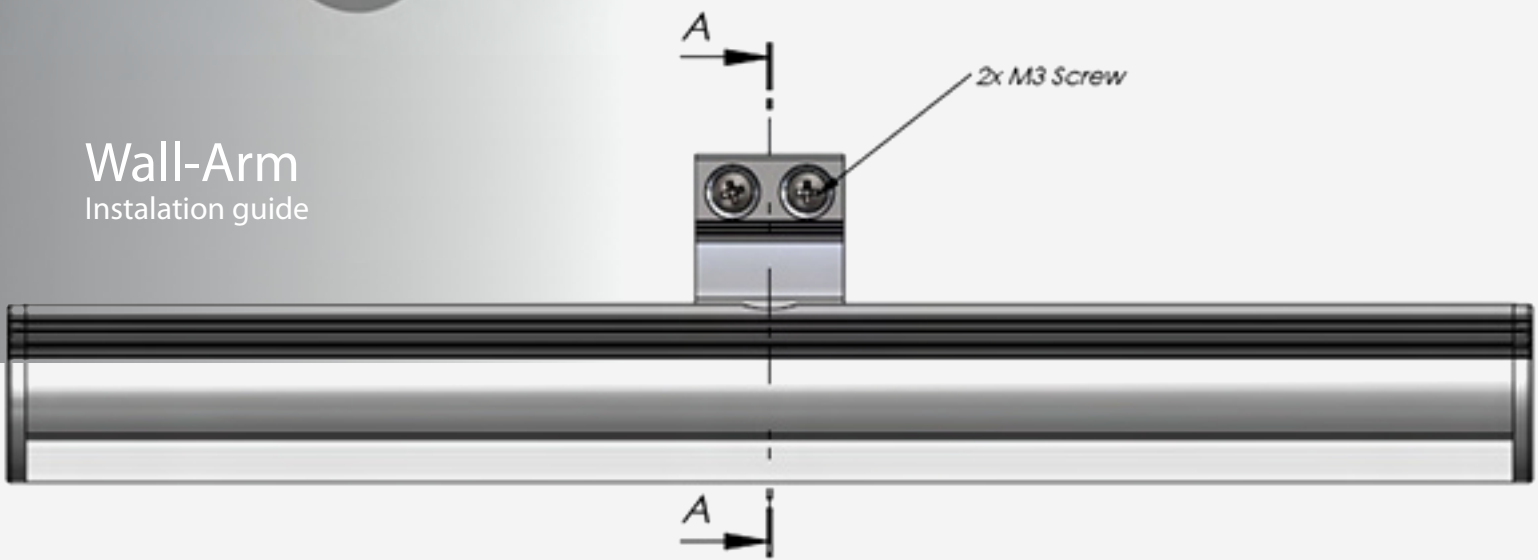
20

LP-MC-RO-WA

32

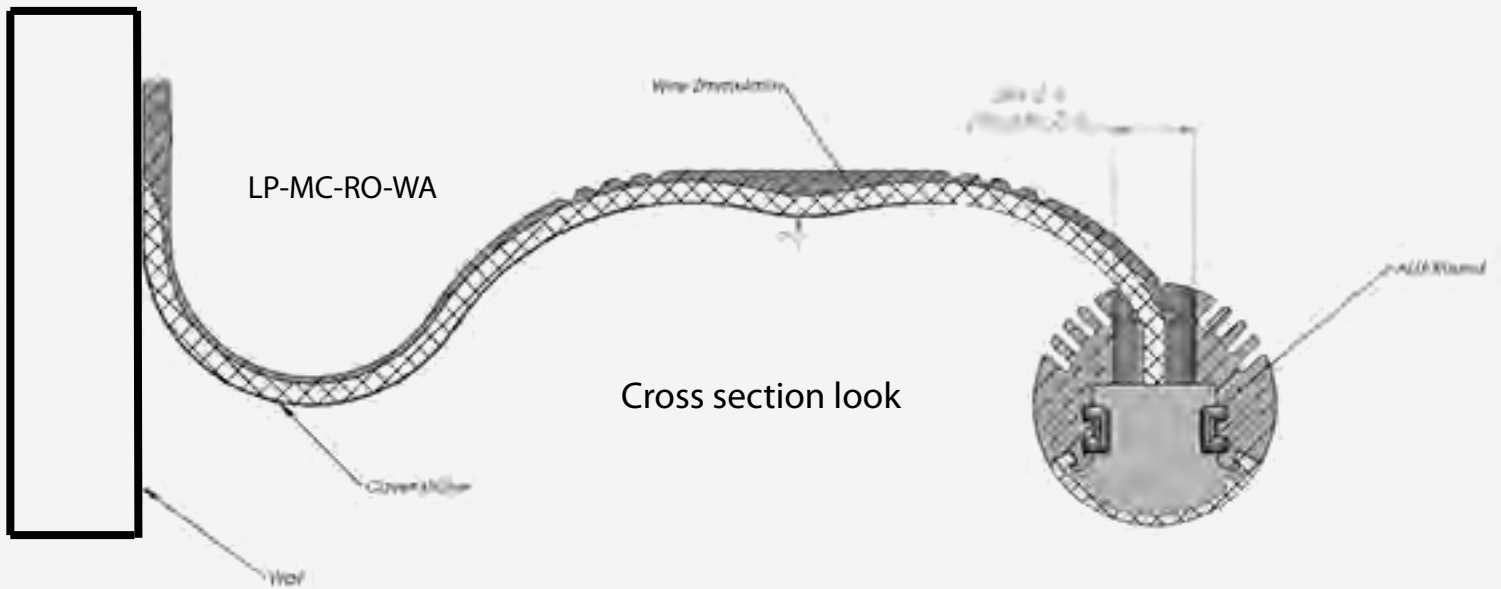
102

Wall-Arm Installation guide



2x M3 Screw

A



LP-MC-RO-WA

Cross section look



AL-EC-RO-AA

Art Lighting Arm

The main purpose for this arm is lighting from down or from above the objects such as art work, gallery, jewelry etc.

The light emitted by leds is directed in 45 degree angle

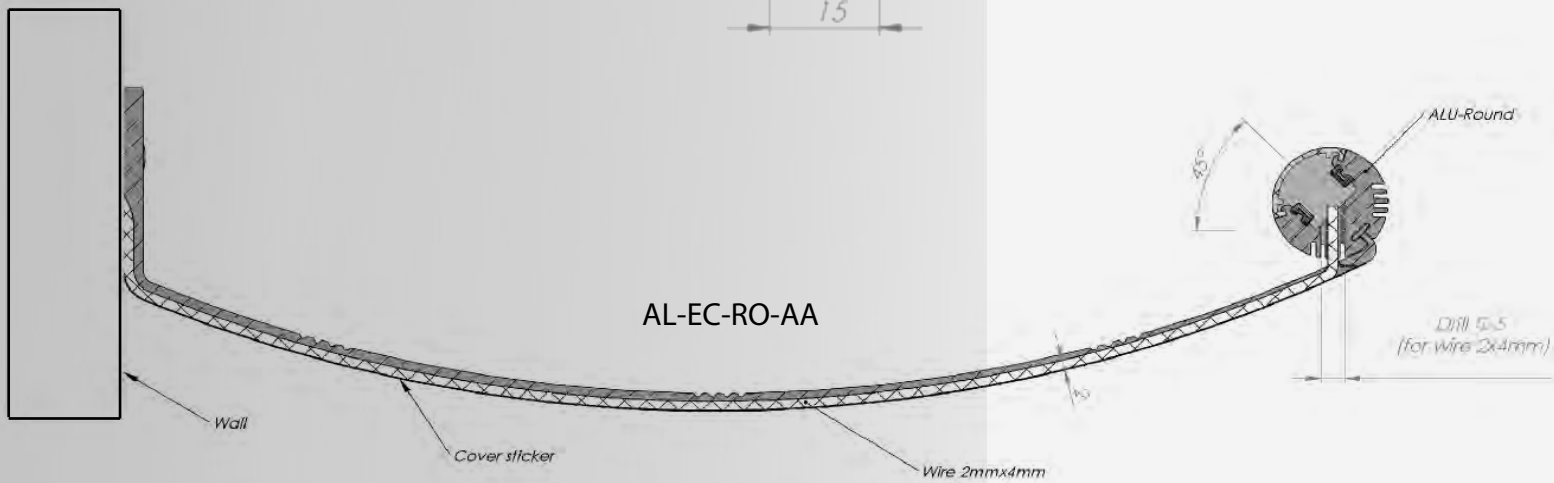
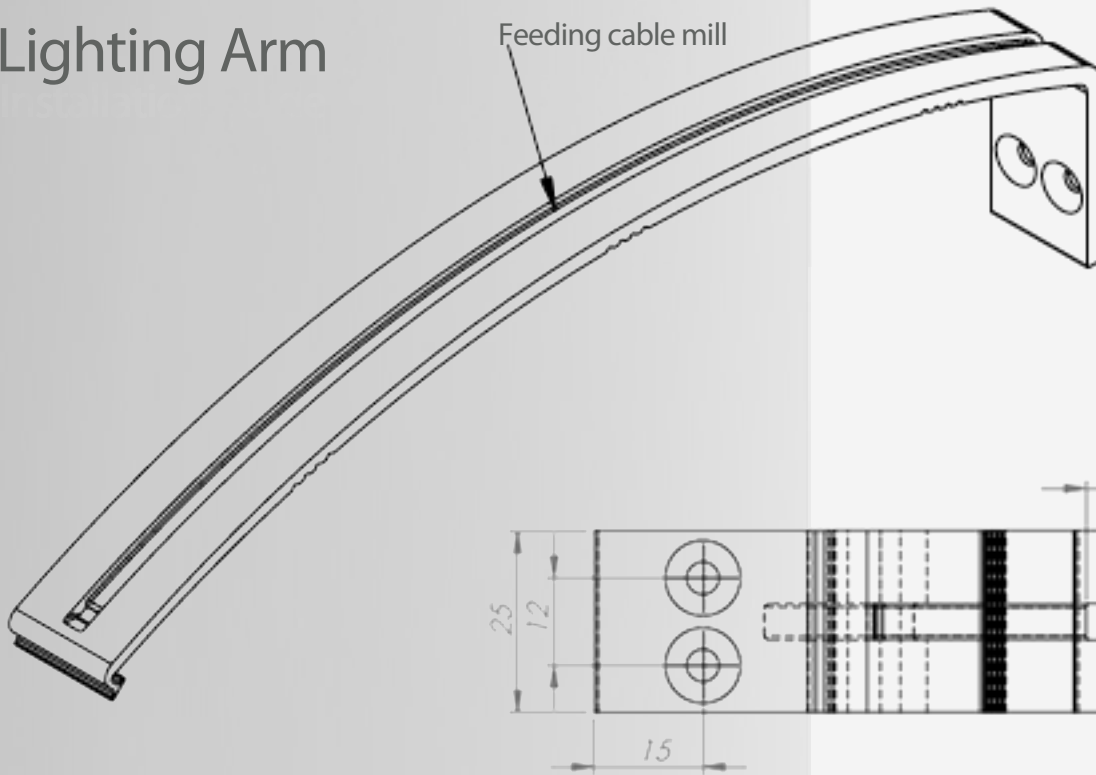
The arm is matching perfectly with the Alu-Round led profile.

The feeding cable is hidden in the arm and can be cover by the sticky aluminum imitating tape



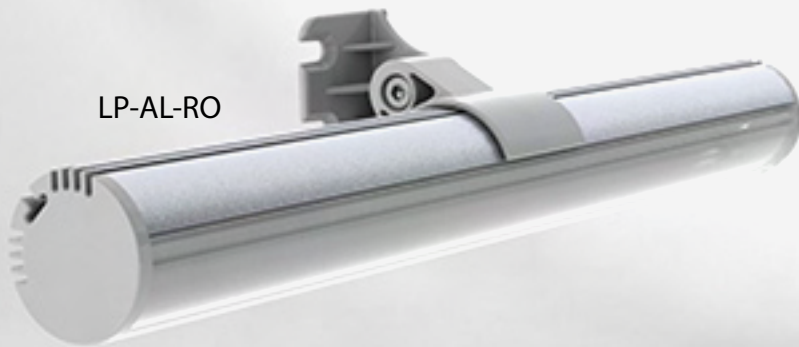


Art Lighting Arm



ALU-ROUND ACCESSORIES

Fluent lighting angle regulation from 0-180 degree with the mounting clip LP-MC-R1



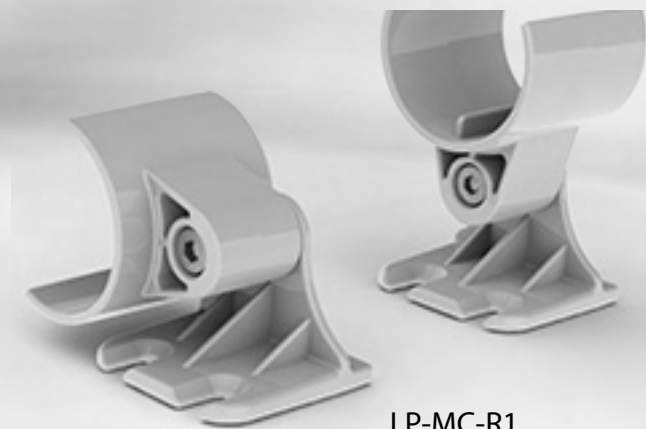
LP-AL-RO



LP-EC-R2



LP-EC-R1



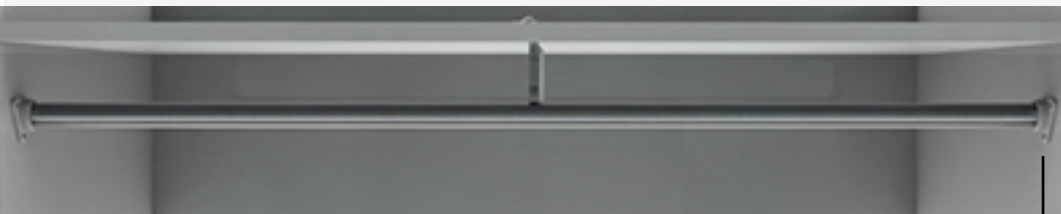
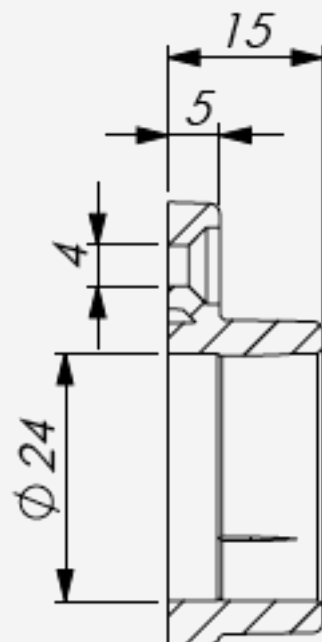
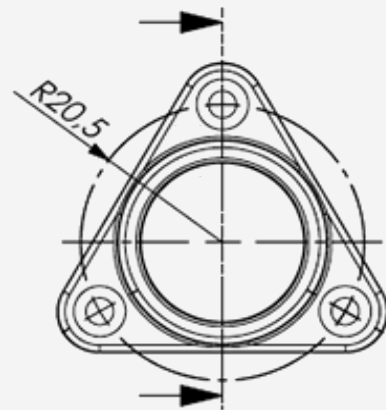
LP-MC-R1



180 degree position

ALU-ROUND ACCESSORIES

Closet bracket for Alu-Round led profile

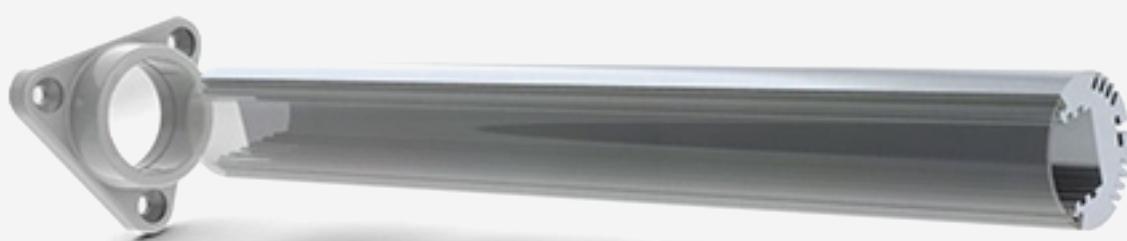


Wall to wall closet led rod (Alu-Round) installation



LP-MC-R2
Closet bracket

Closet brackets are made from special material which do not brake during the screwing or heavy load



LP-AL-RO



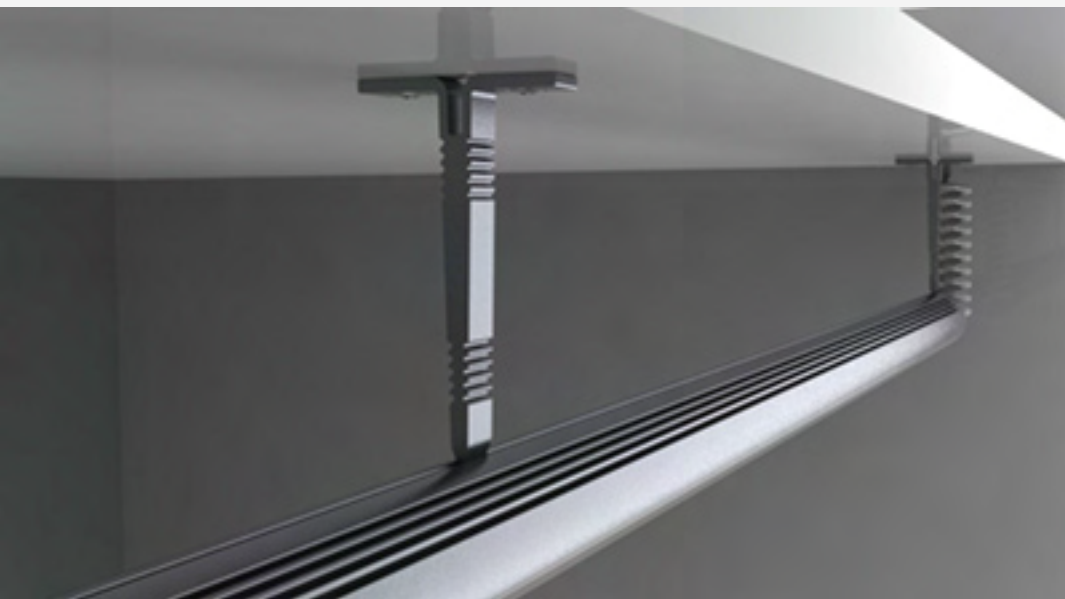
LP-MC-R2

ALU-ROUND ACCESSORIES

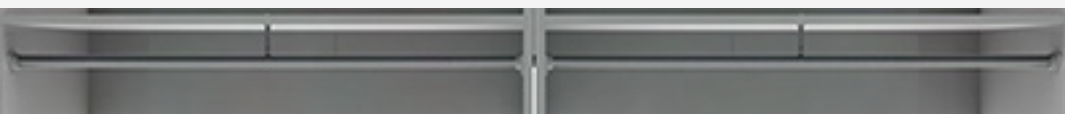
Intermediate support arm for Alu-Round led profile for closet mount



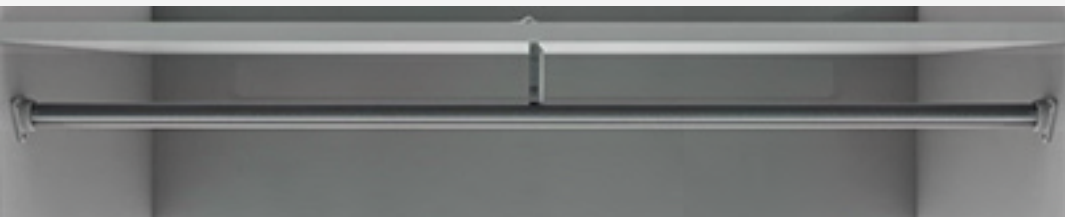
Stem mount of 1m led profile (Alu-Round) at the closet



Stem mount type of led profile (Alu-Round) at the closet with intermediate support arm



End mount type - 2m of led profile Alu-Round at the closet with closet brackets and intermediate support arm



End mount type
1m of led profile (Alu-Round)
at the closet with closet brackets
and intermediate support arm



Alu-Round
intermediate support arm
LP-MC-R3

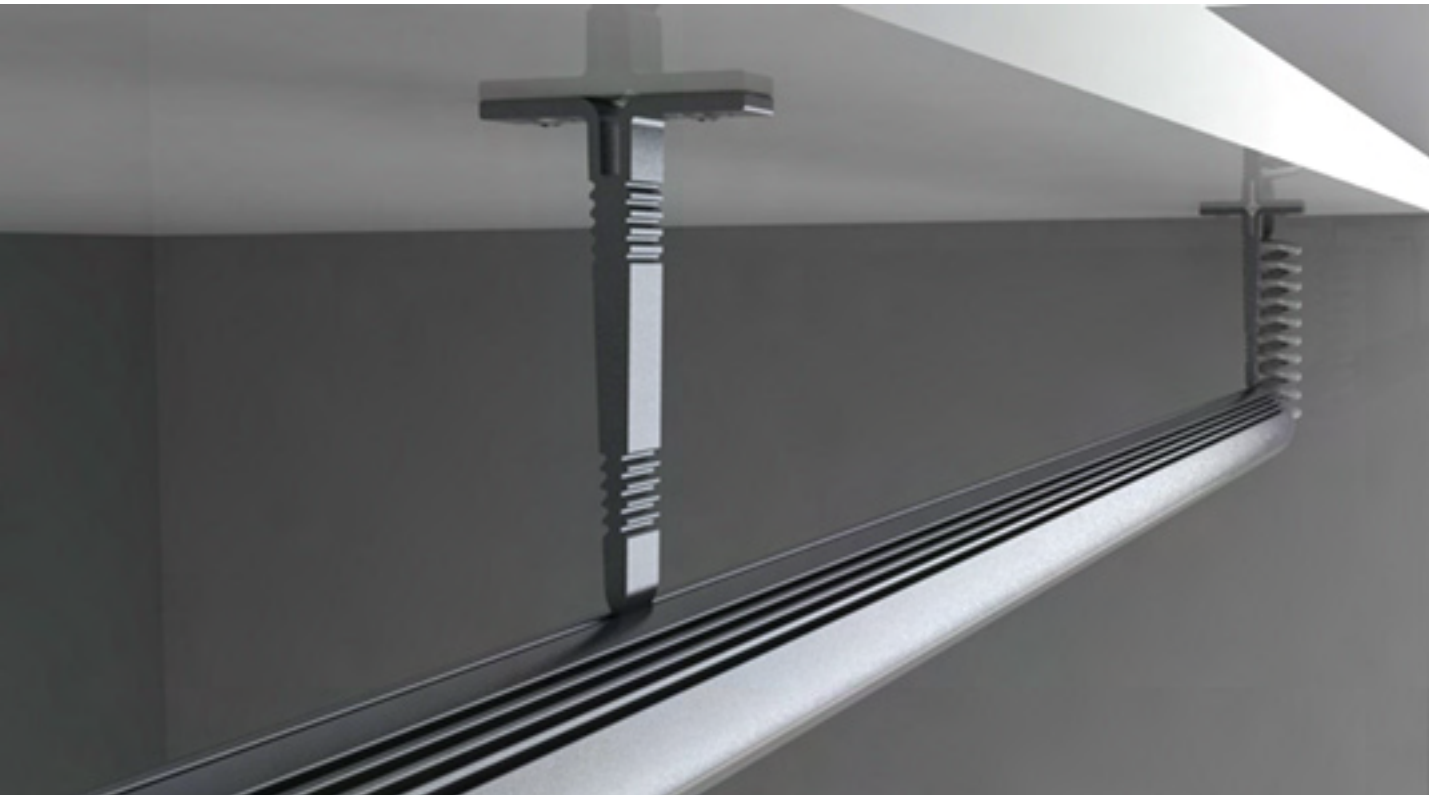
NEW
Patented

ALU-ROUND ACCESSORIES

Intermediate support arm for Alu-Round led profile for closet mount

Stem Mount

profiles
for the led lighting

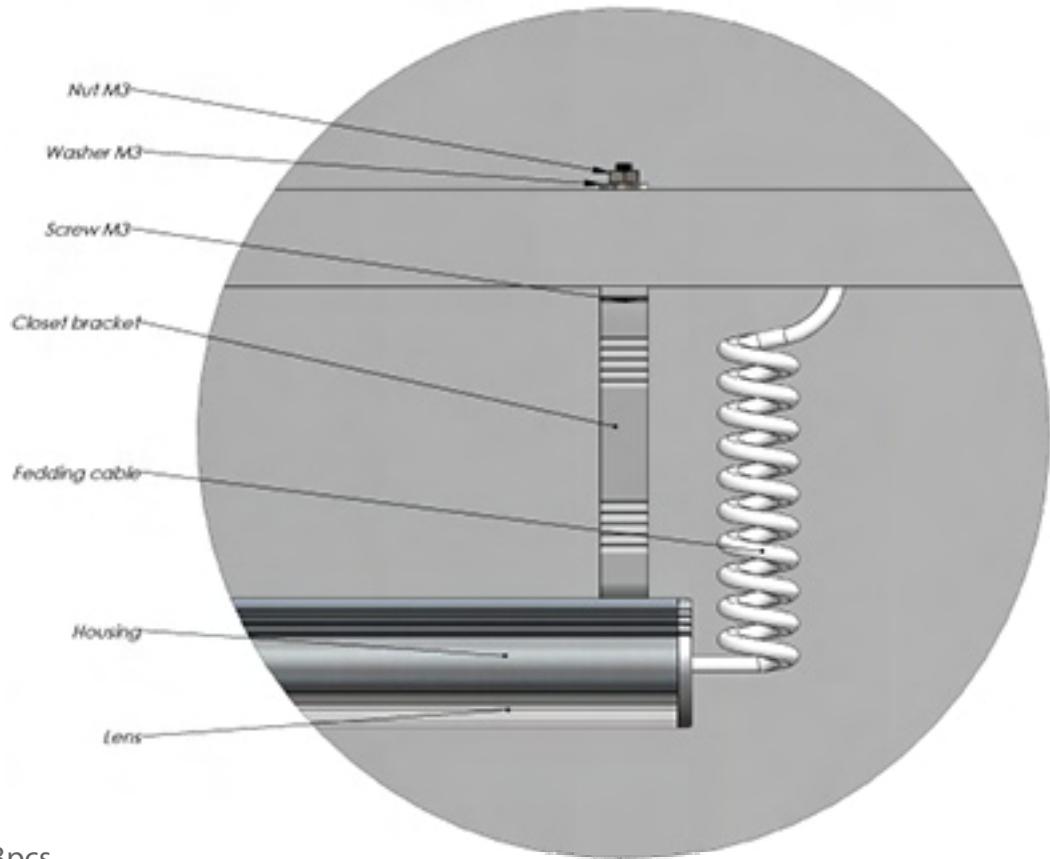


Maximum capability of weight handling per one arm is 25kg

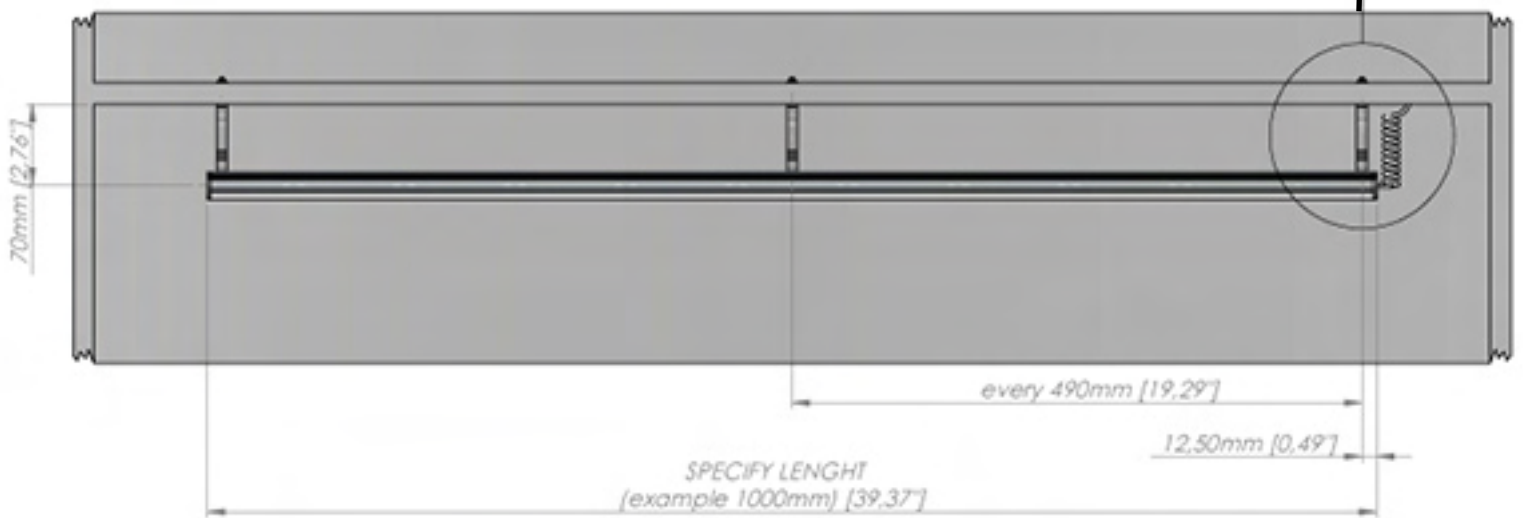
ALU-ROUND ACCESSORIES LEDs-ON™

Intermediate support arm for Alu-Round led profile for closet mount

Stem Mount



Intermediate supports
Length : 100cm/39,4" - 3pcs
200cm/78,8" - 5pcs



profiles
for the led lighting

Maximum capability of weight handling per one arm is 25kg

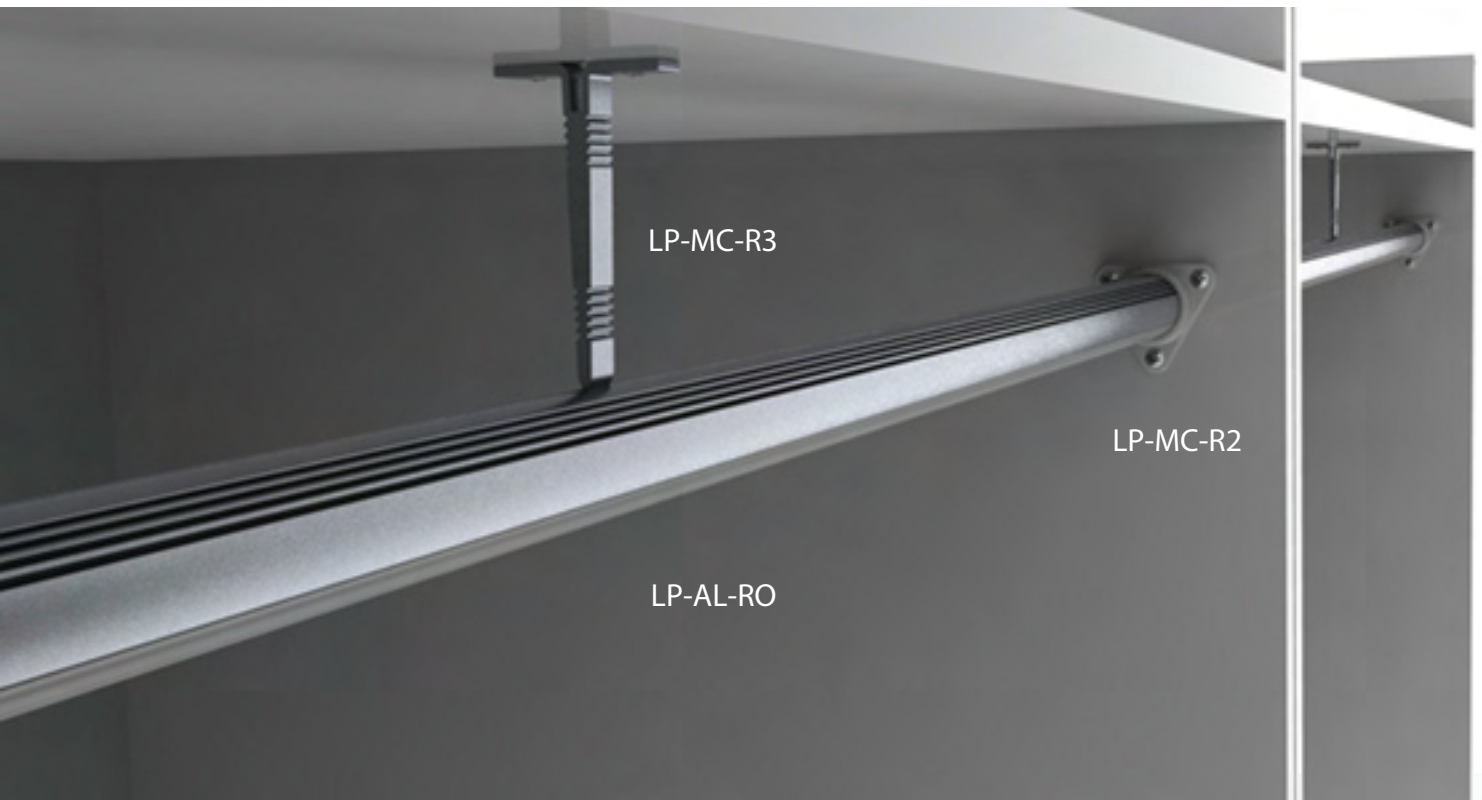
ALU-ROUND ACCESSORIES

Intermediate support arm for Alu-Round led profile for closet mount

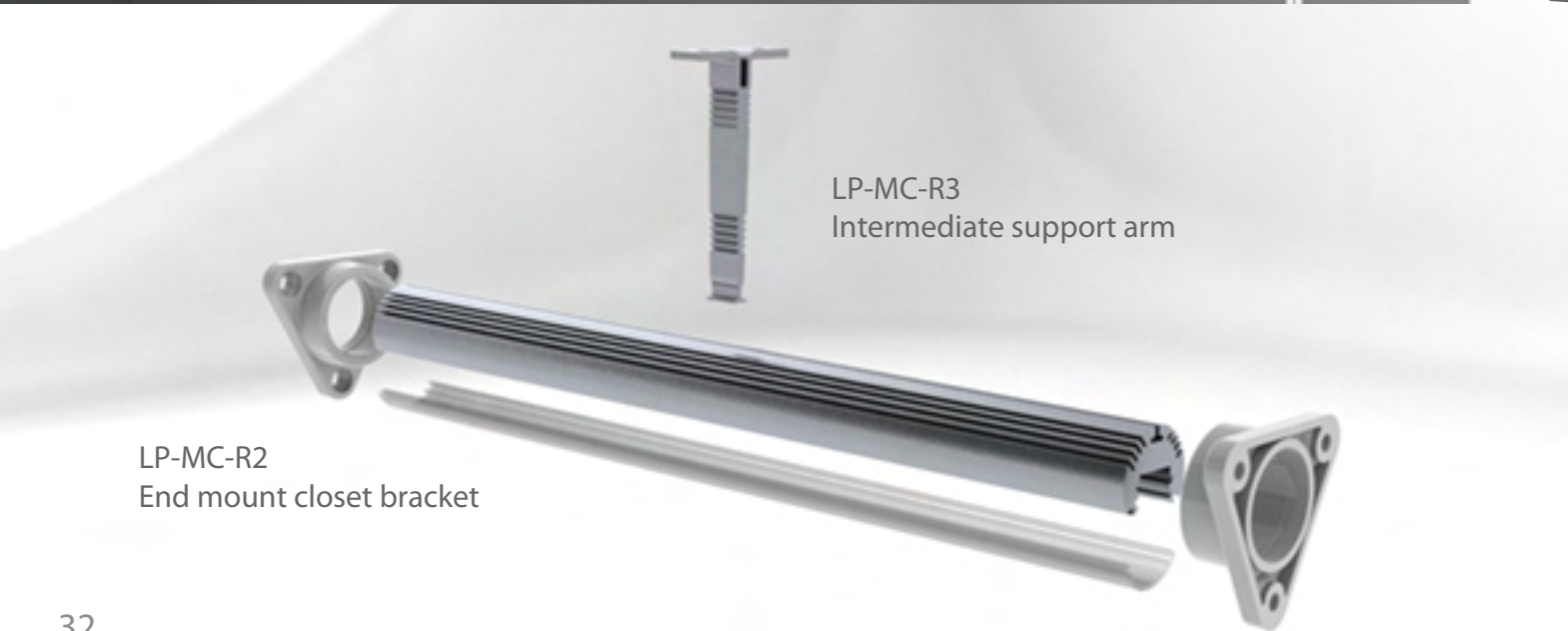
NEW
Patented

End Mount

profiles
for the led lighting



Maximum capability of weight handling per one arm is 25kg



ALU-ROUND ACCESSORIES

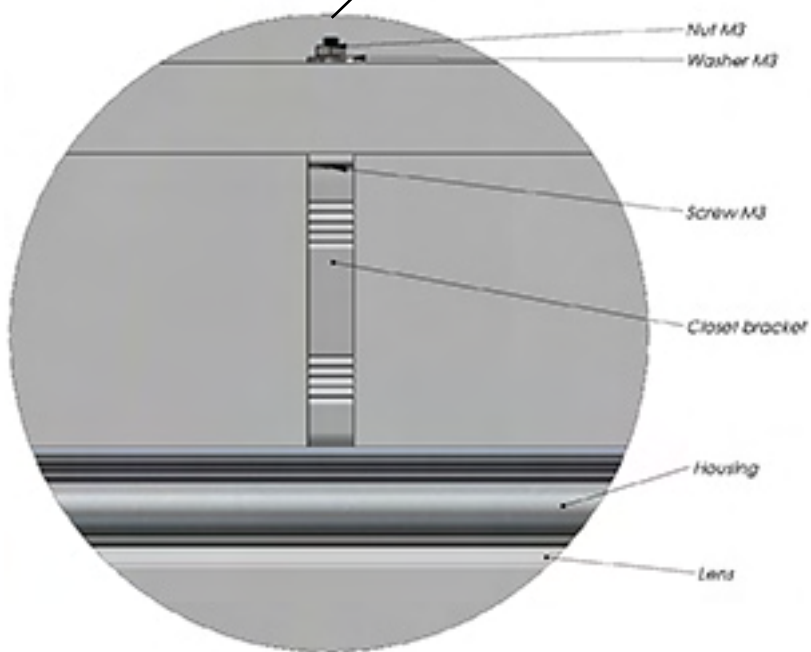
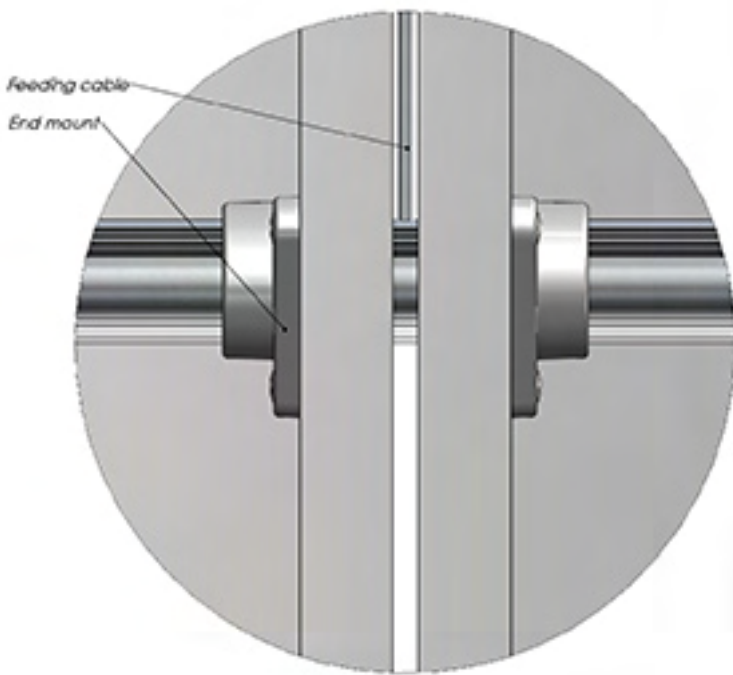
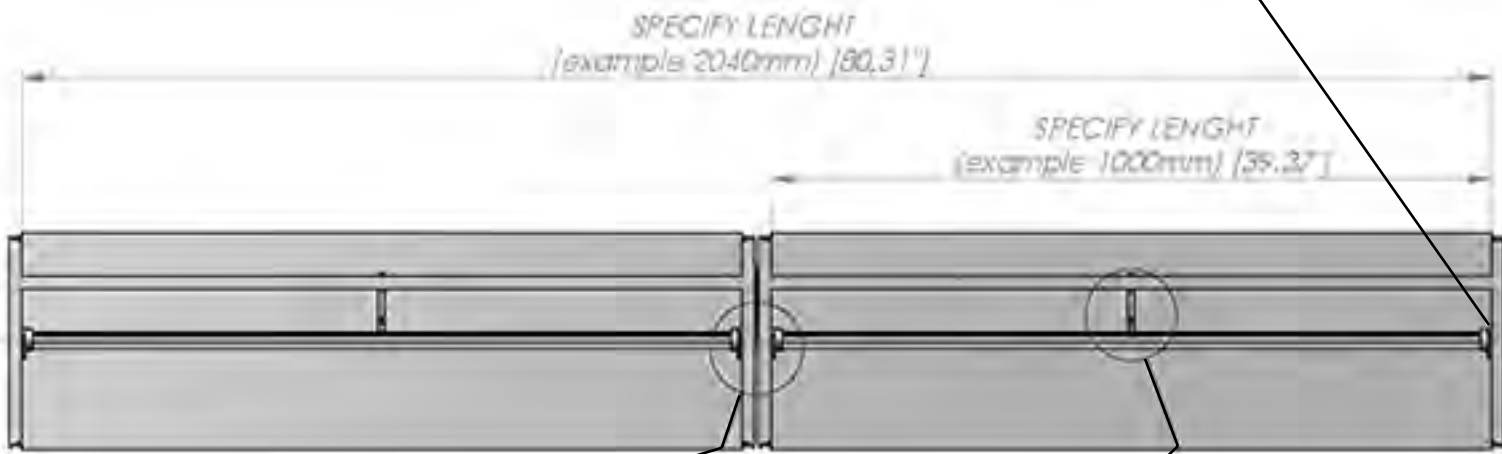
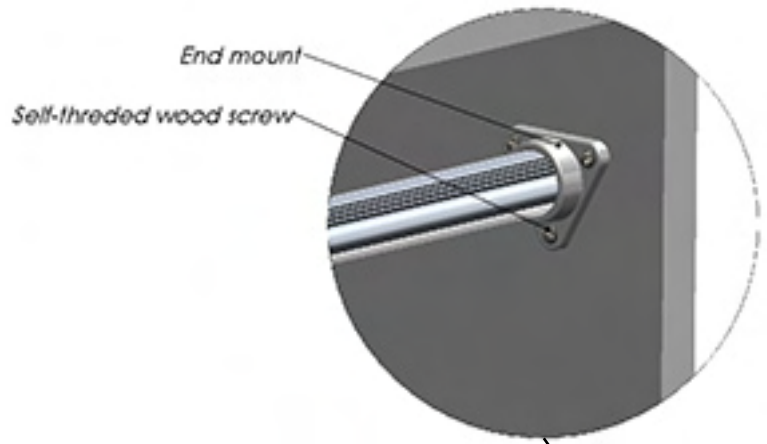
Intermediate support arm for Alu-Round led profile for closet mount

End Mount

Intermediate supports

Length : 100cm/39,4" - 1pcs

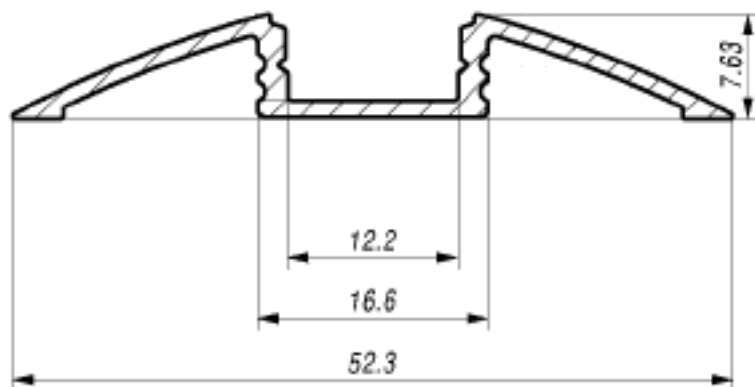
200cm/78,8" - 2pcs



profiles
for the led lighting

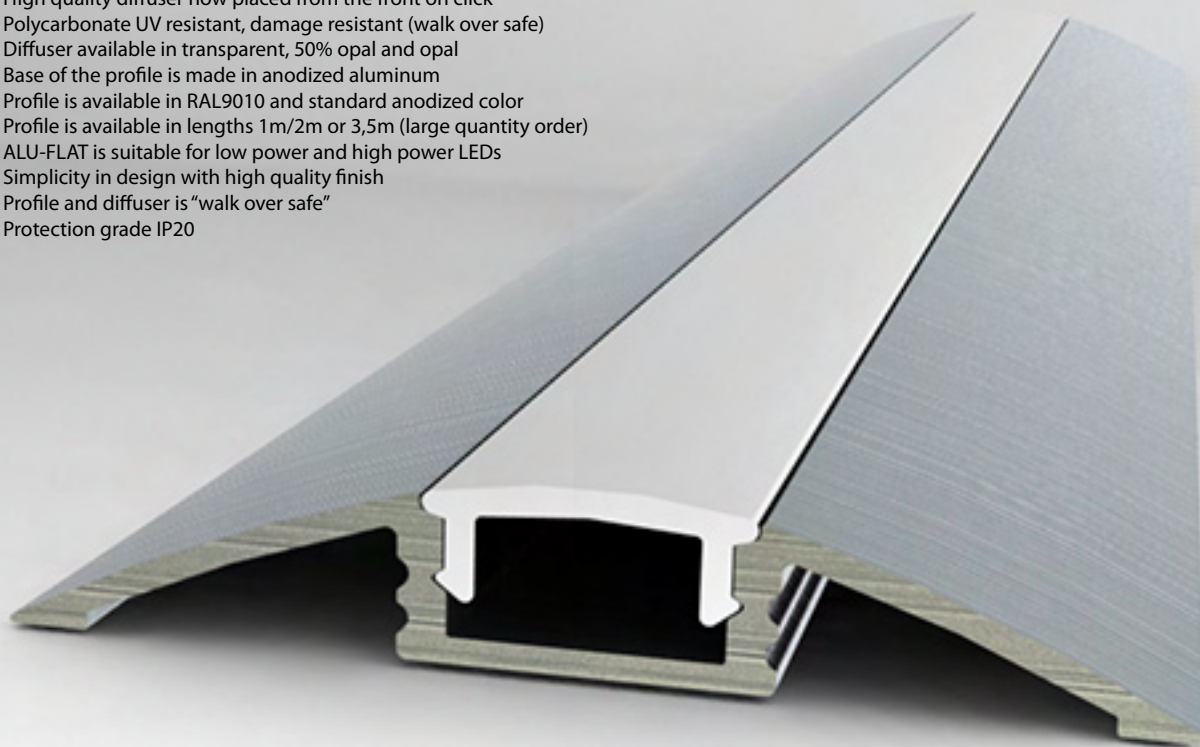
ALU-FLAT

Anodized / RAL9010



Features :

- High quality diffuser now placed from the front on click
- Polycarbonate UV resistant, damage resistant (walk over safe)
- Diffuser available in transparent, 50% opal and opal
- Base of the profile is made in anodized aluminum
- Profile is available in RAL9010 and standard anodized color
- Profile is available in lengths 1m/2m or 3,5m (large quantity order)
- ALU-FLAT is suitable for low power and high power LEDs
- Simplicity in design with high quality finish
- Profile and diffuser is "walk over safe"
- Protection grade IP20



Applications:

- Under kitchen cabinets LED lighting
- Stores shelves LED lighting
- Floor LED lighting
- Storage shelves LED lighting
- Exhibition boot LED lighting
- Interior LED lighting

ALU-FLAT LED Profile

Aluminum LED profile only 7,6mm. The aluminum profile walls thickness and the damage resistant diffuser allow you to walk over this profile. It has been positively tested and is "walk over" safe. The profile is available in anodized version of aluminum and RAL9010. Profile comes with polycarbonate UV resistant, damage resistant diffuser, which now is placed, into the profile from front for click. The customer has choice of use transparent, 50% frosted and frosted diffuser. Profile provides mechanical and thermal protection (heat sink) to the LEDs and is suitable for high power LED lighting. The profile has many different applications it can works as under store shelves independent LED lamp or can be installed on the floor to cover the connection and provide additional protection for the computer cables.

profiles
for the led lighting

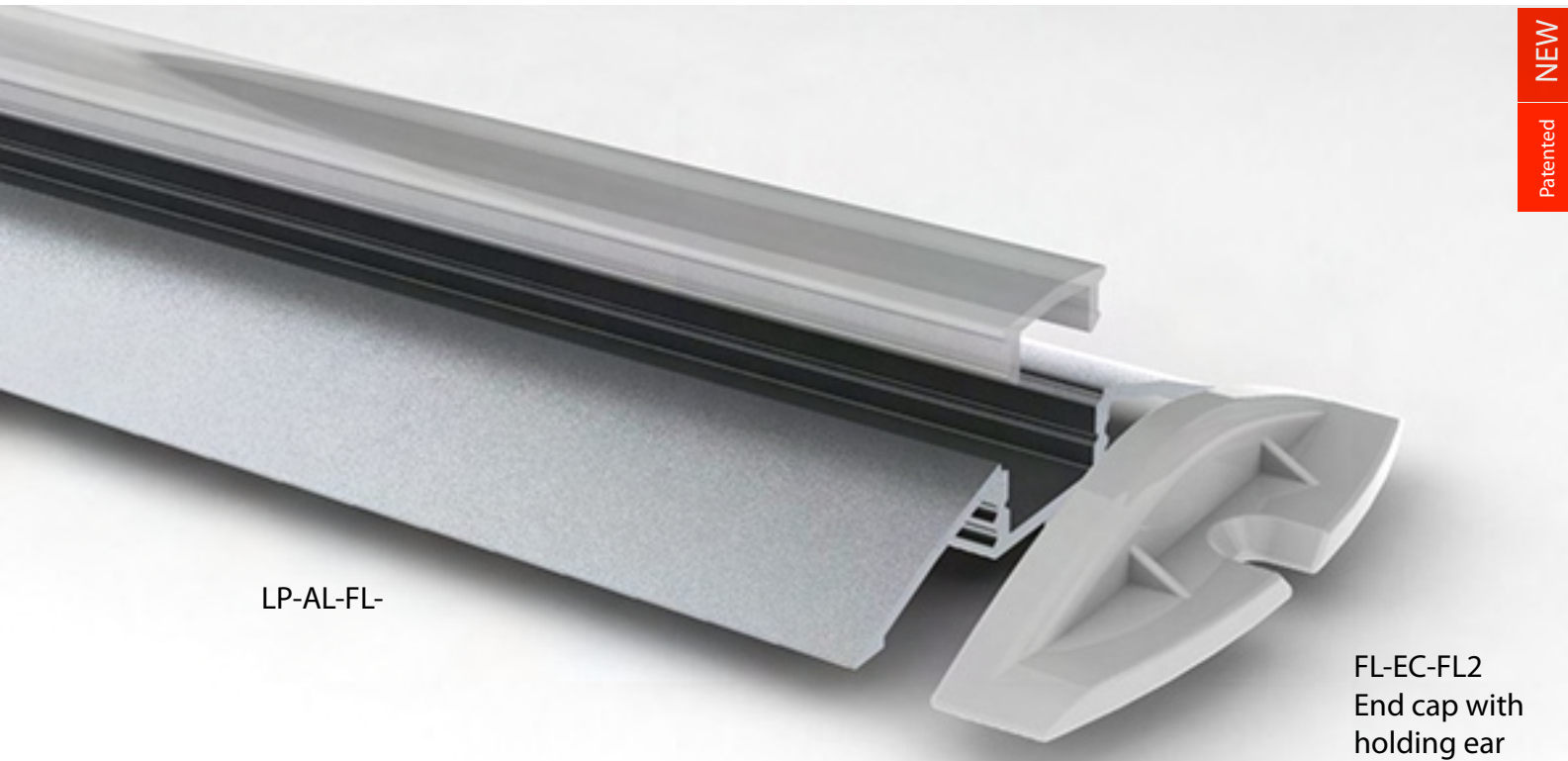
ALU-FLAT ACCESSORIES

Anodized

RAL9010

Applications:

- Under kitchen cabinets LED lighting
- Stores shelves LED lighting
- Floor LED lighting
- Storage shelves LED lighting
- Exhibition booth LED lighting
- Interior LED lighting

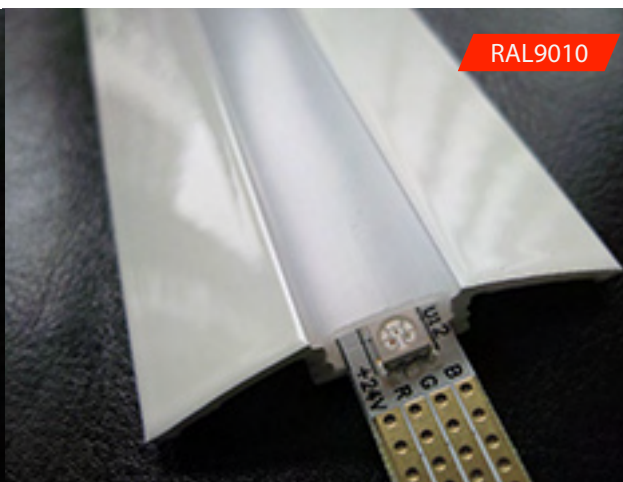


LP-AL-FL-

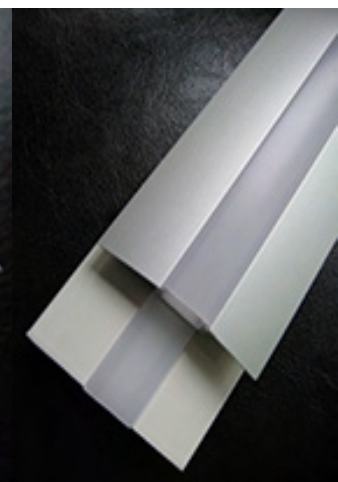
FL-EC-FL2
End cap with
holding ear



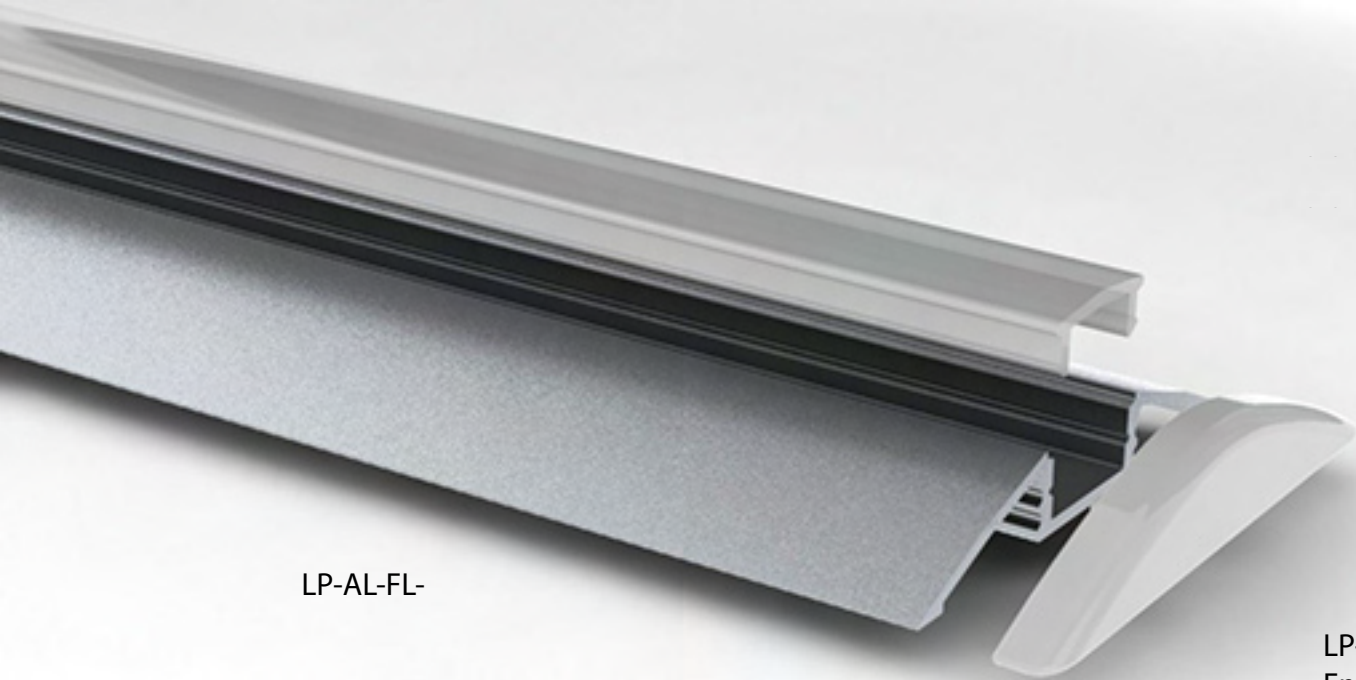
Anodized



RAL9010



profiles
for the led lighting



LP-AL-FL-

LP-EC-FL1
End cap without
holding ear

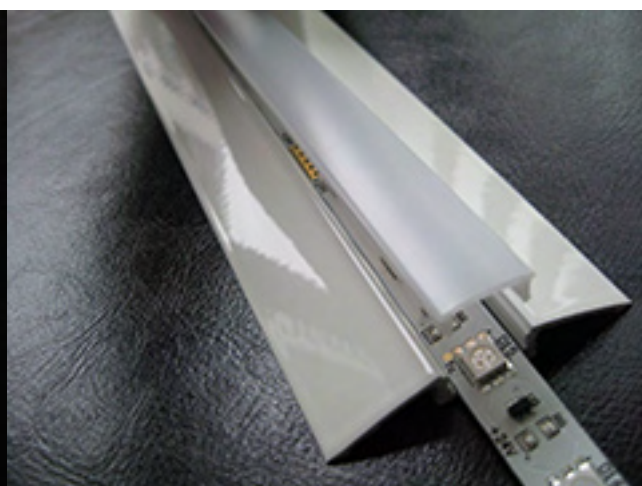
ALU-FLAT ACCESSORIES



LP-EC-FL1

NEW

Patented

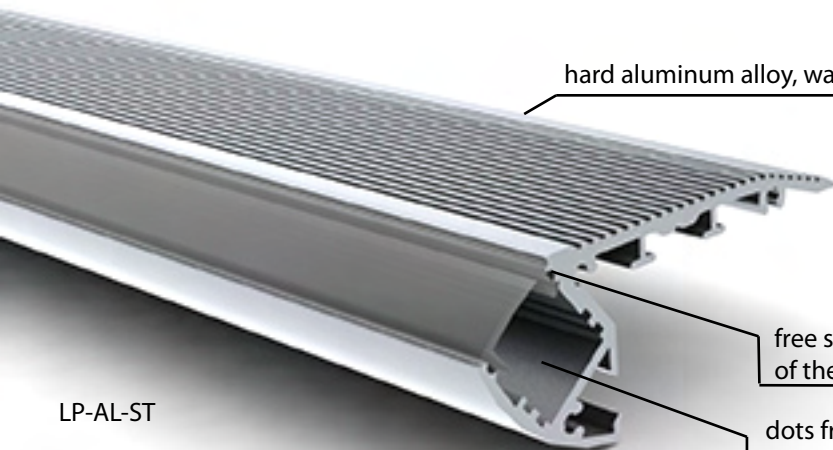
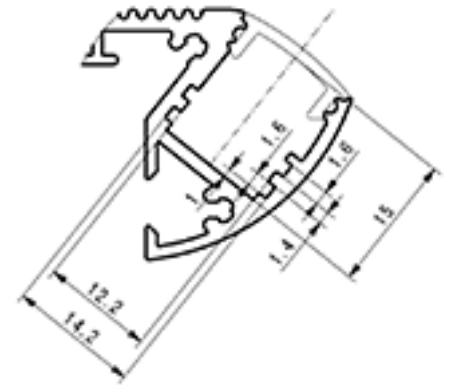
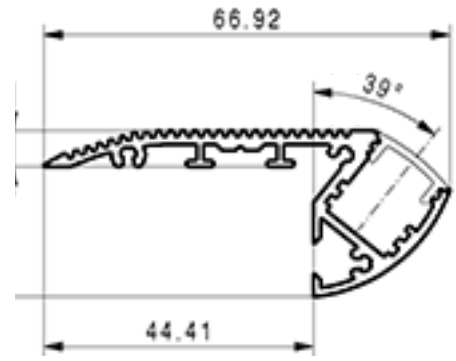


profiles
for the led lighting

ALU-STAIR

stair installed led profile

Anodized silver
Patented Design



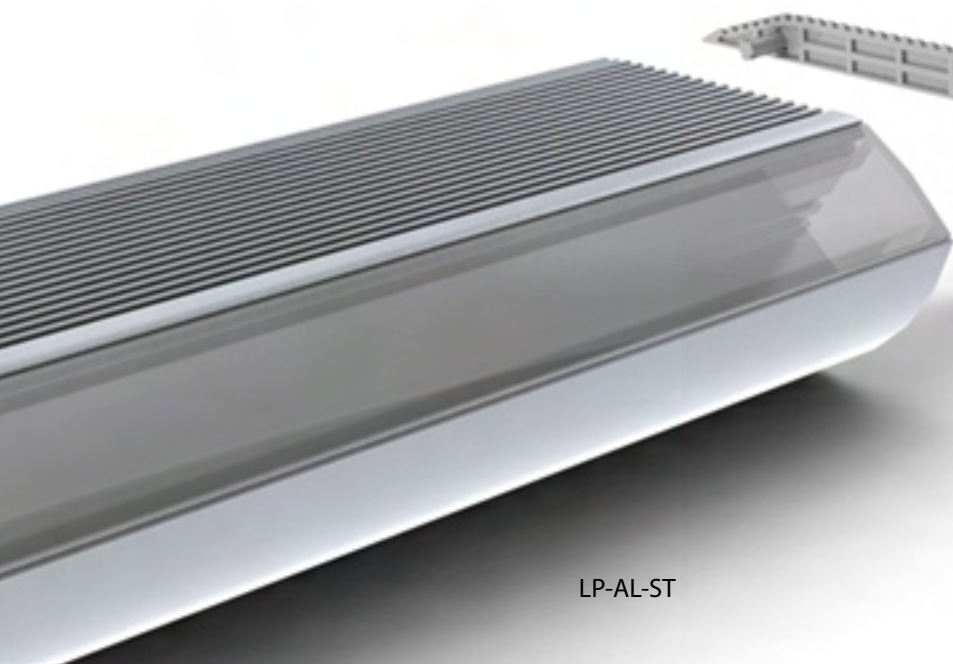
hard aluminum alloy, ware out resistant

free space for silicone insulation of the led chamber (option)

dots free led profile (frosted)
12,2mm wide led chamber

LP-AL-ST

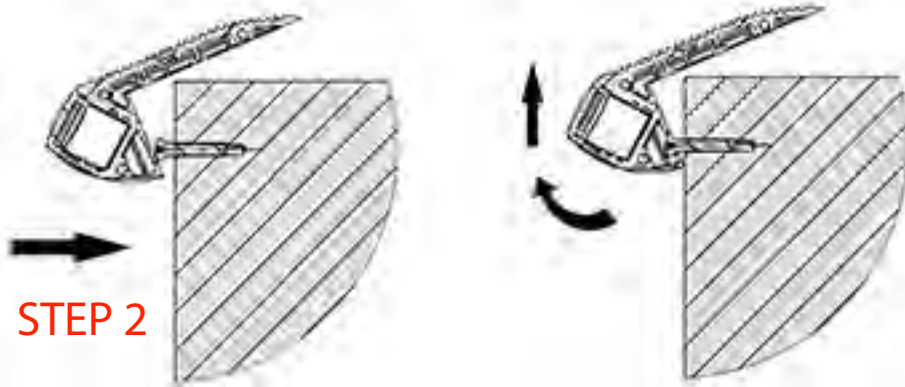
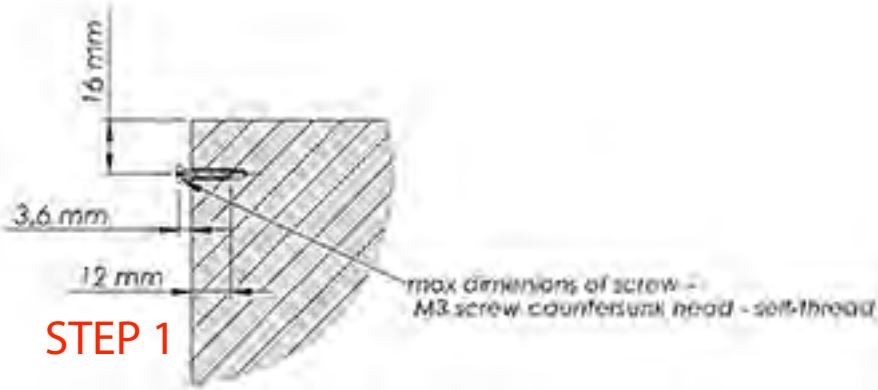
LP-EC-SR
end cap (right)



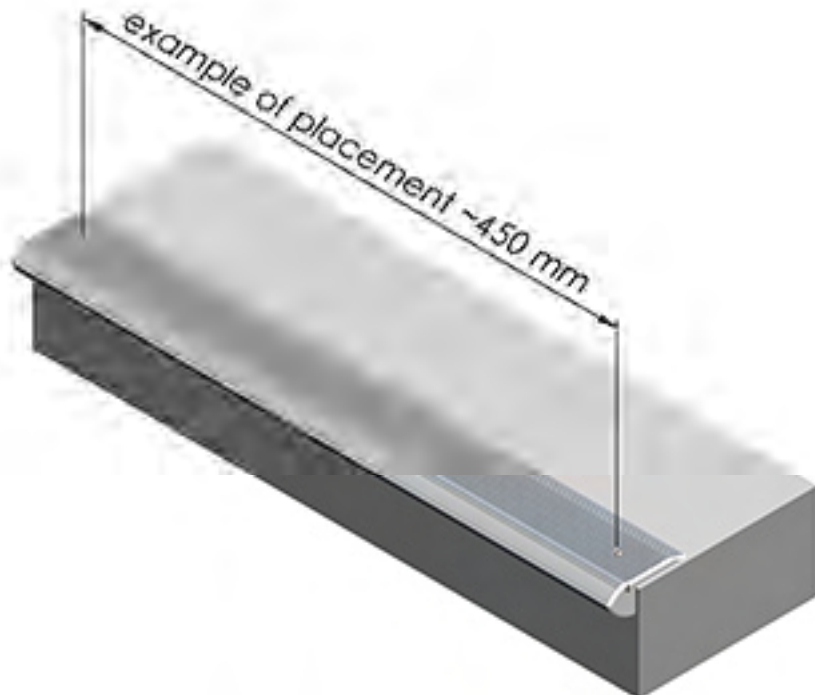
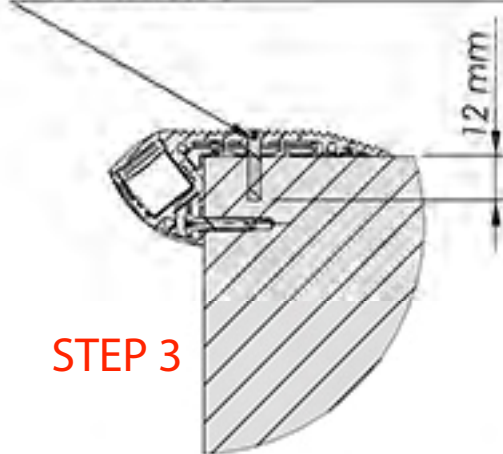
free space for silicone insulation of the led chamber (option)

LP-AL-ST

profiles
for the led lighting



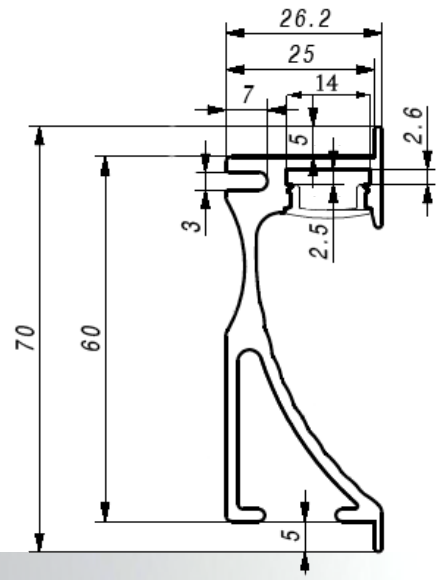
Countersunk head screw M3x16
- self thread



ALU-WALL

wall installed led profile
2m units only

Anodized silver & dark brown
Patented Design



LP-AL-WL

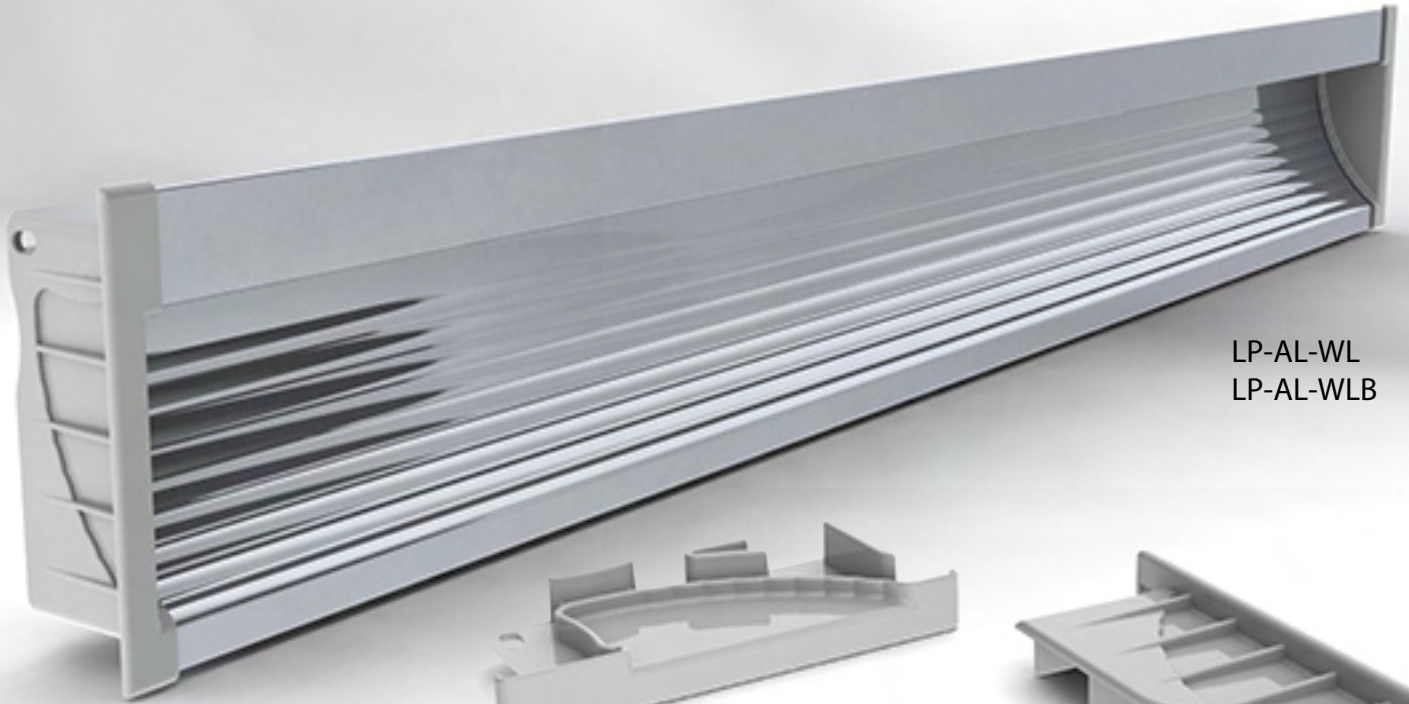
profiles
for the led lighting

ALU-WALL
2m units only

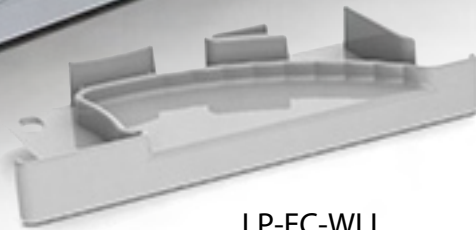
Anodized silver & dark brown
Patented Design

NEW

WALL-INSTALLED LED FIXTURE



LP-AL-WL
LP-AL-WLB



LP-EC-WLL



LP-EC-WLR



LP-EC-WLR

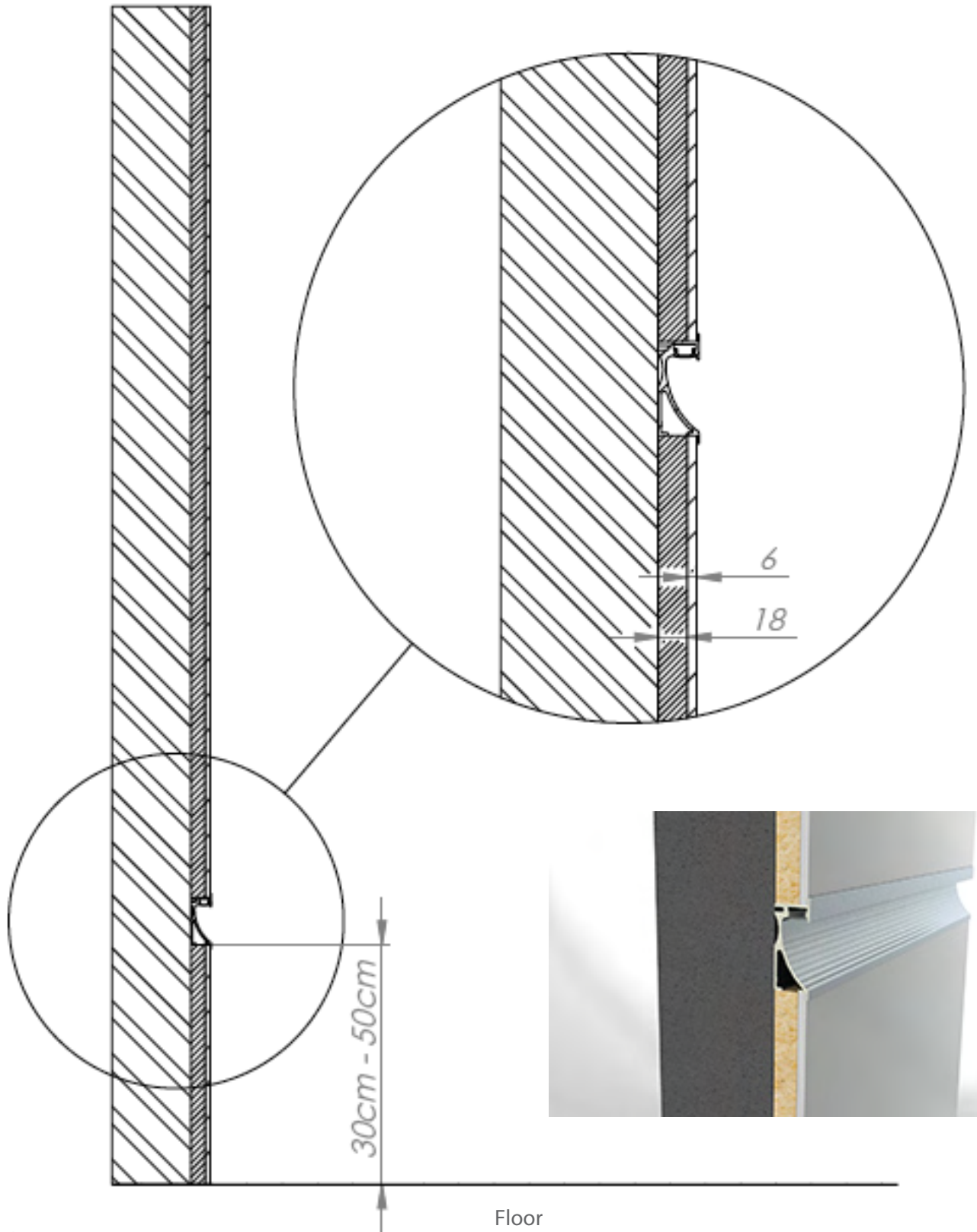
ALU-WALL LED PROFILE IS DEDICATED FOR THE FLOOR LED LIGHTING AND CEILING LED LIGHTING .

profiles
for the led lighting

ALU-WALL
2m units only

Anodized silver & dark brown
Patented Design

INSTALATION OPTION
No. 1



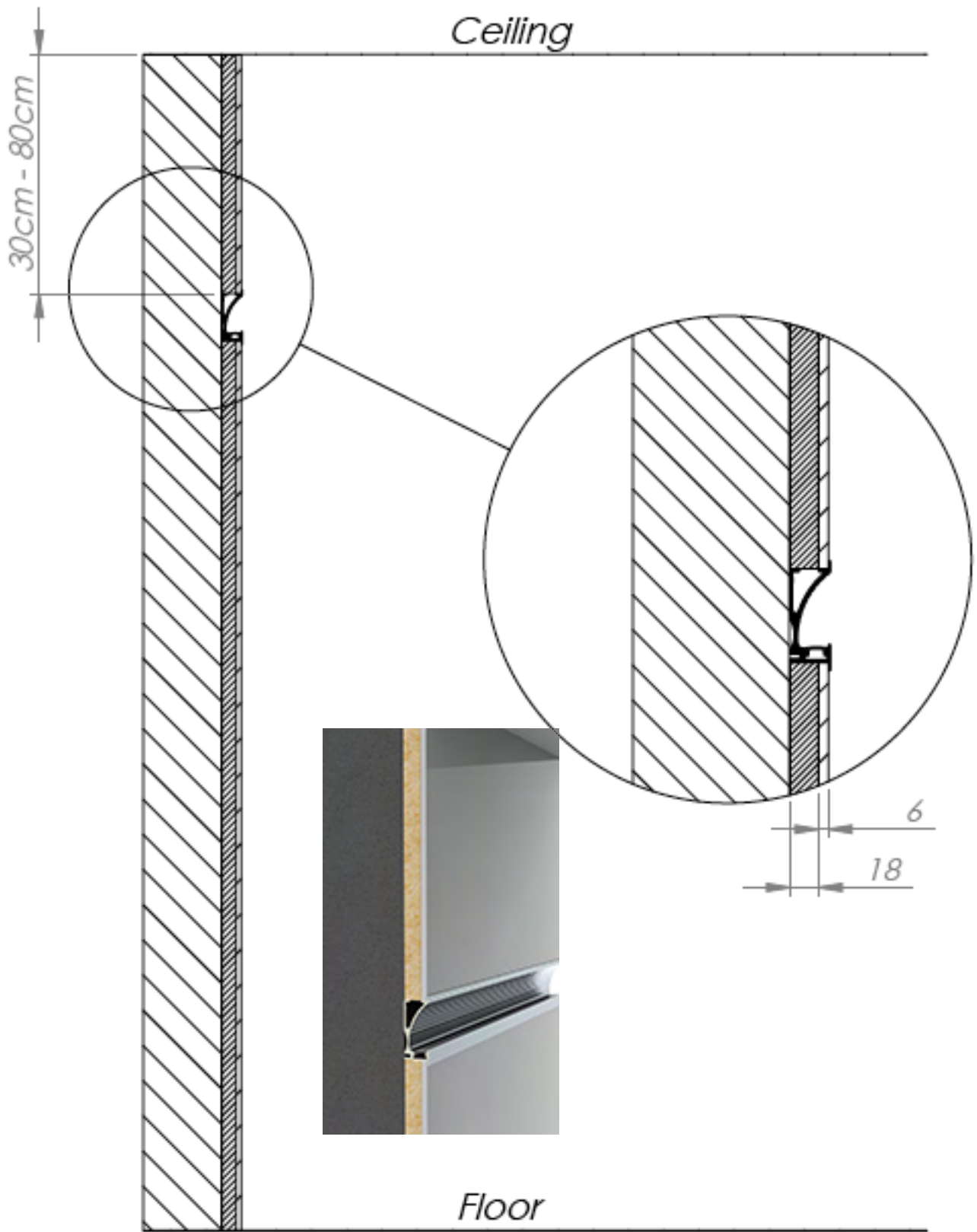
NEW

profiles
for the led lighting

ALU-WALL
2m units only

Anodized silver & dark brown
Patented Design

INSTALATION OPTION
No. 2



NEW

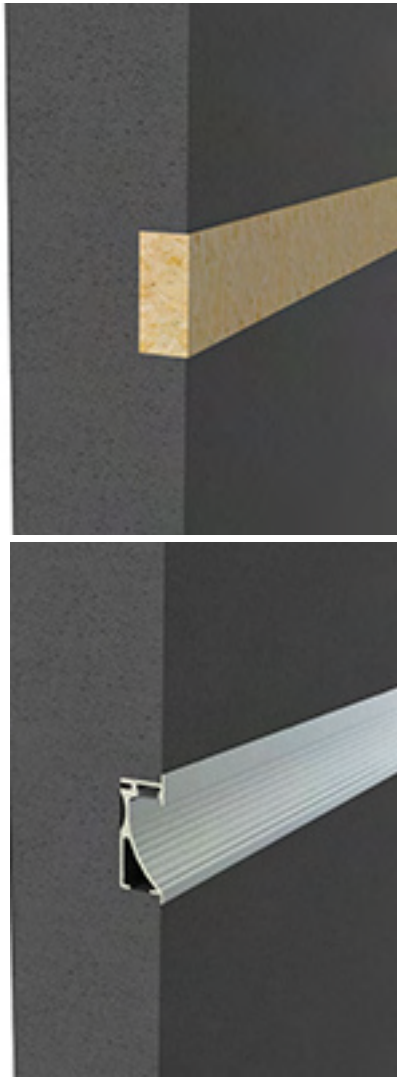
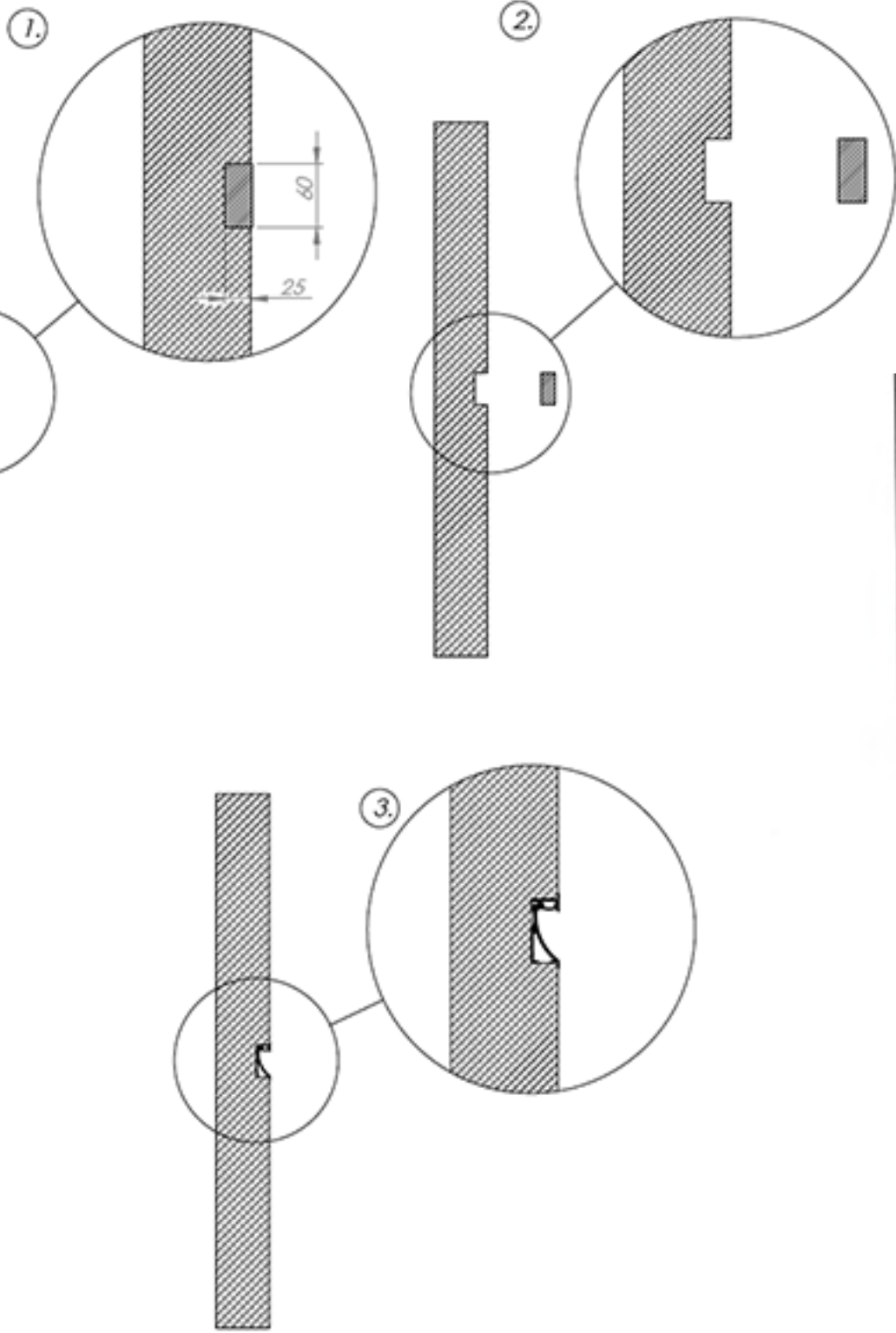
profiles
for the led lighting

ALU-WALL
2m units only

Anodized silver & dark brown
Patented Design

INSTALATION OPTION
No. 3

NEW



profiles
for the led lighting

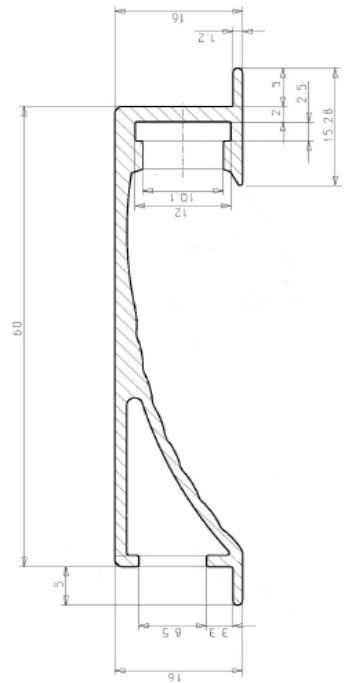
ALU-WALL-US

Patented Design

Anodized silver

for wooden walls structure installation
2m units only

Product is dedicated for build-in into the wood structure walls and direct the LED light on the floor.
The thickness of the profile is the same as the thickness of the standard wood plywood sheets used for wall construction at US or Canada.



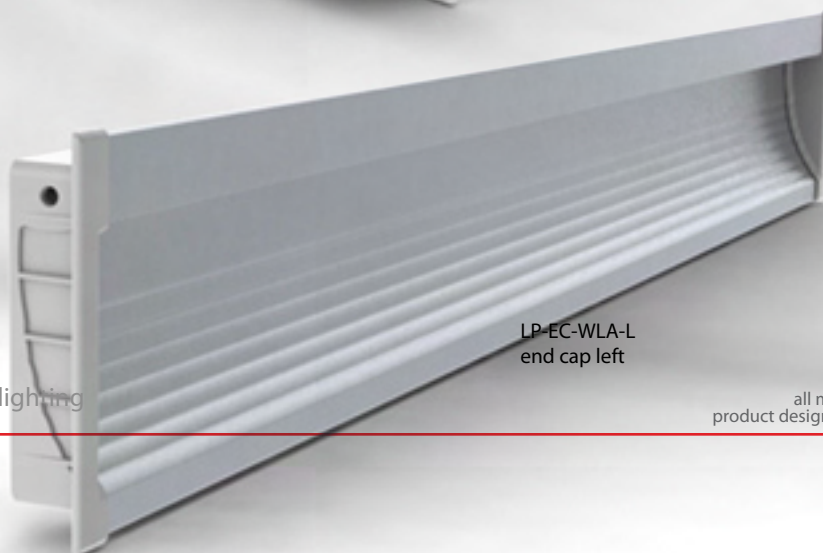
LP-EC-WLA-R
end cap right



LP-EC-WLA-L
end cap left

LP-AL-WLA

End cap feeding cable hole is adapted for 1/8" pipe connector



LP-EC-WLA-L
end cap left

profiles
for the led lighting

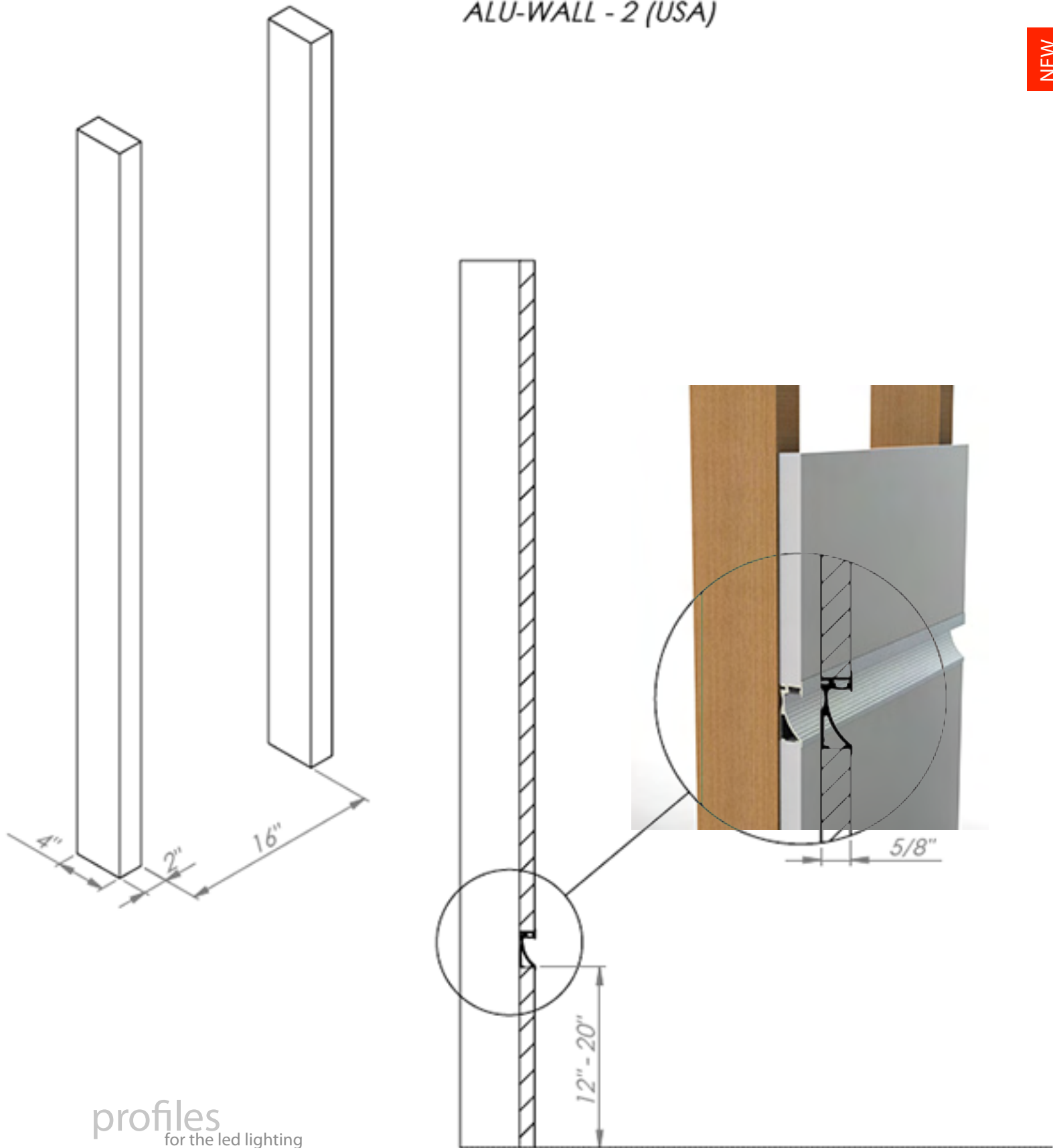
ALU-WALL-US
2m units only

Anodized silver
Patented Design

INSTALATION OPTION

ALU-WALL - 2 (USA)

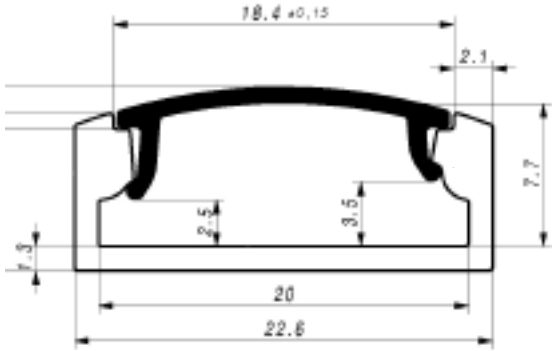
NEW



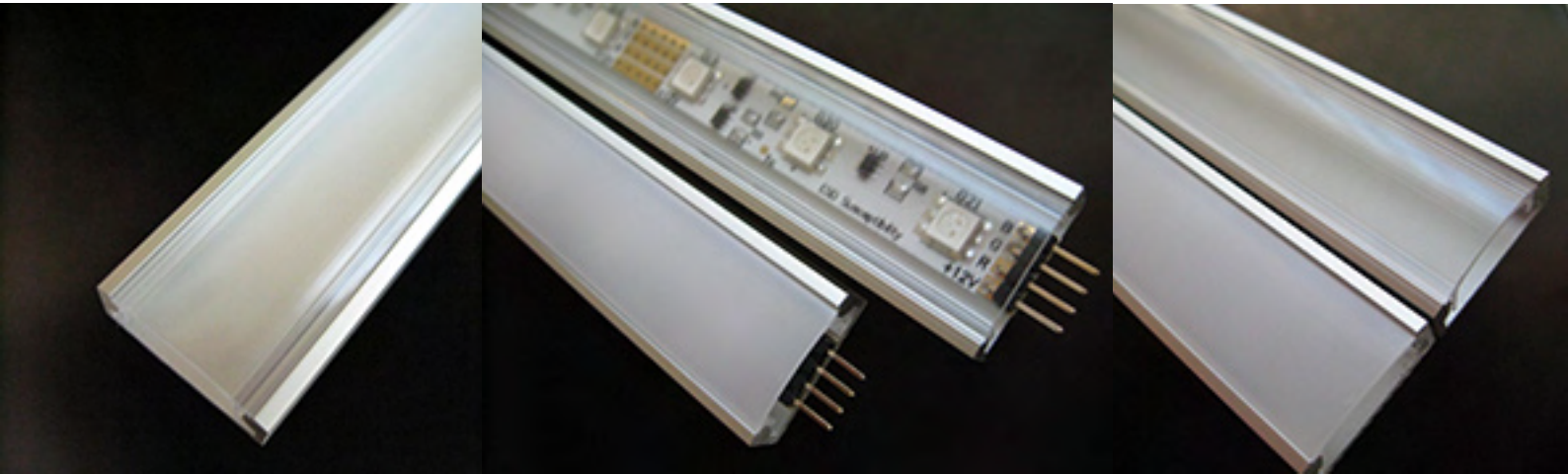
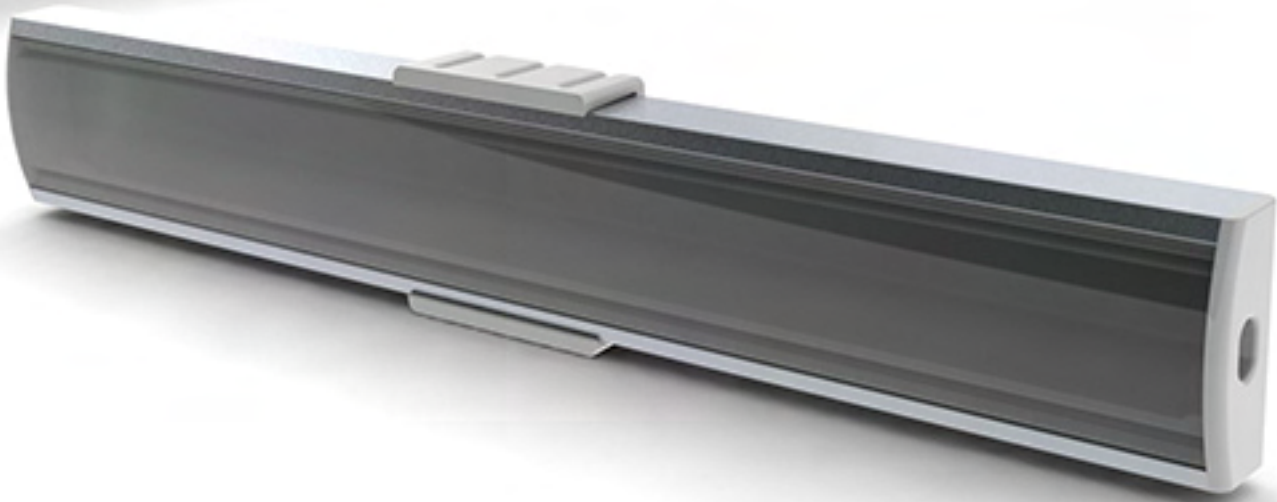
profiles
for the led lighting

SLIM LINE WIDE 8mm

Anodized / Patented Design



NEW

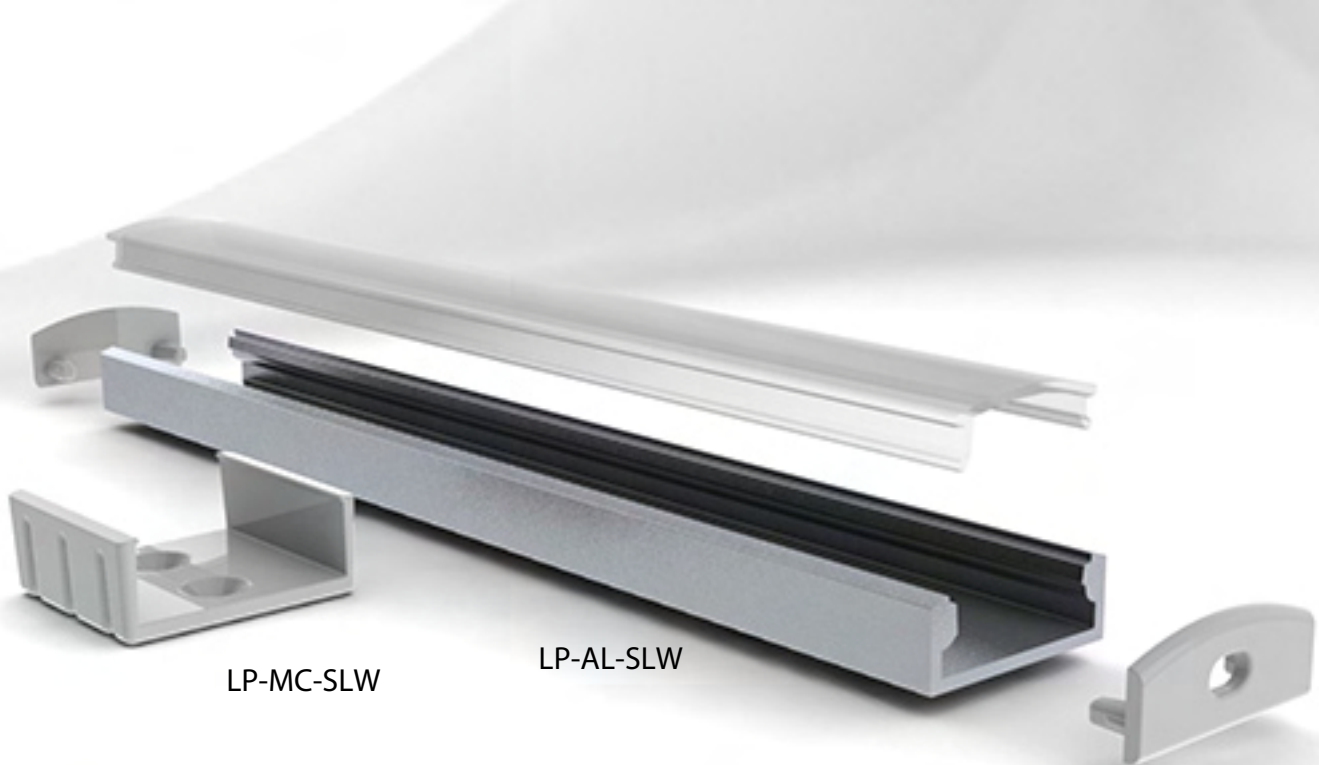


profiles
for the led lighting

SLIM LINE WIDE 8mm

Anodized / Patented Design

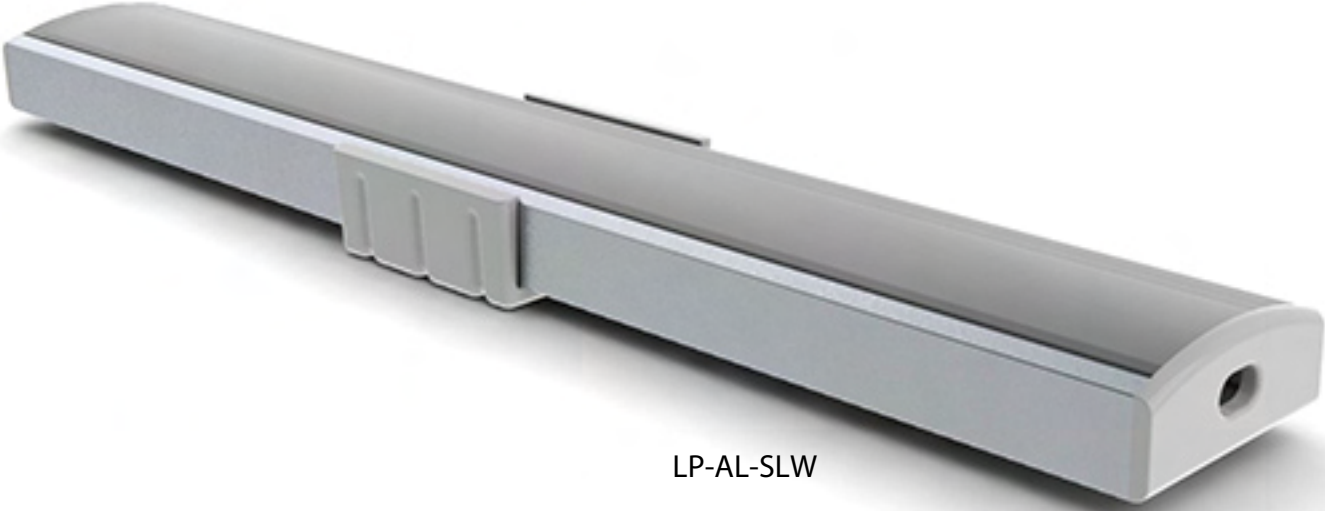
NEW



LP-MC-SLW

LP-AL-SLW

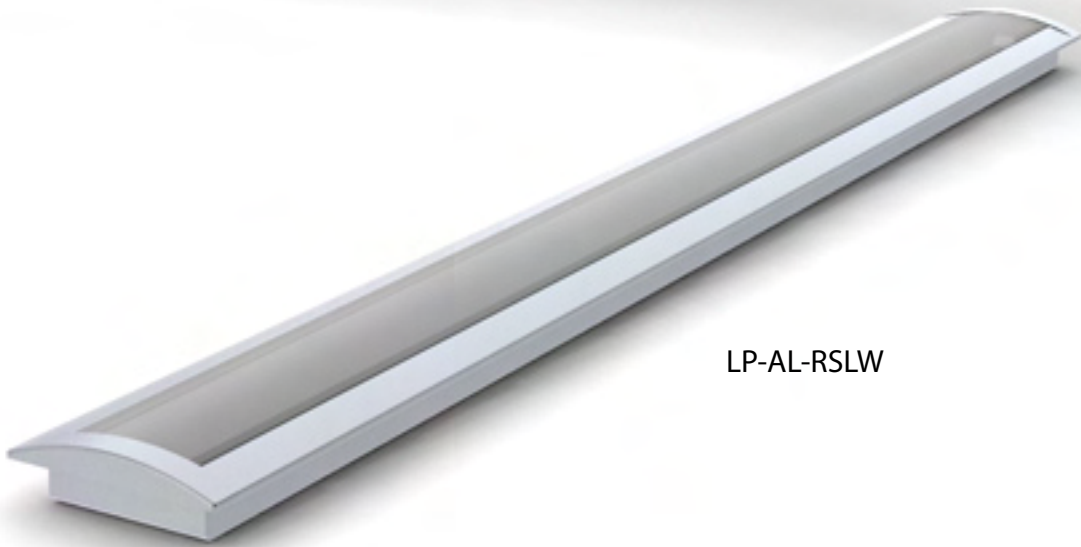
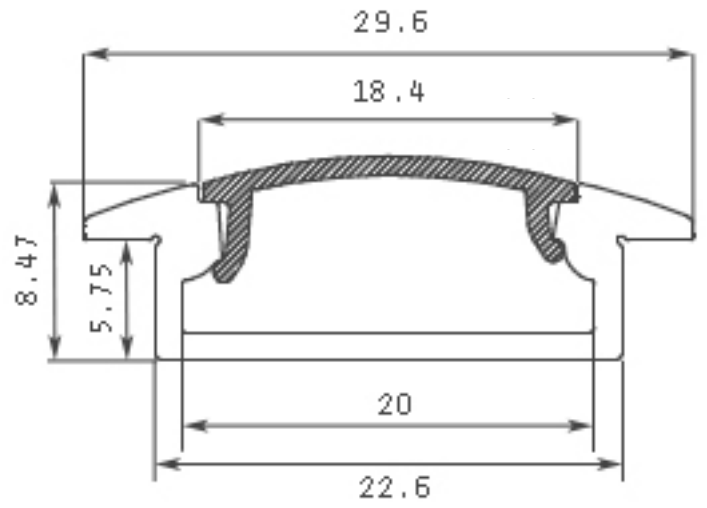
LP-EC-SLW



LP-AL-SLW

RECESS SLIM LINE WIDE 8mm

Anodized / Patented Design



LP-AL-RSLW

LP-EC-RSLW



coming up NEW

SLIM LINE WIDE 15mm

Anodized / Patented Design

LP-AL-SLW15

18mm

NEW

Product features :

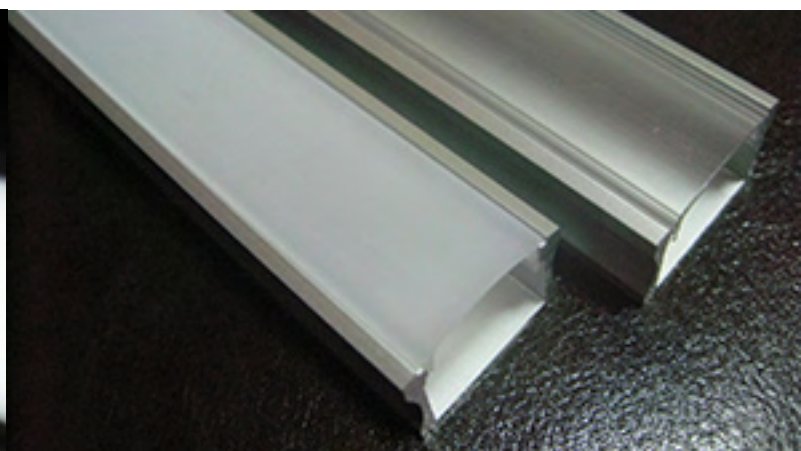
- Suitable for the double row LED stripes up to 18mm
- 18mm wide LED channel
- LEDs dots free led profile (frosted)
- Heavy heat sink for the LEDs
- Suitable for IP67 LED ribbons and any other led stripes

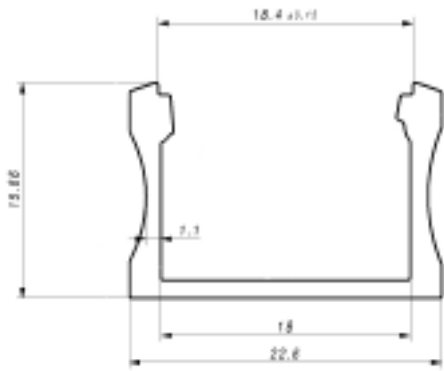


LP-MC-SLW15



LP-AL-SLW15



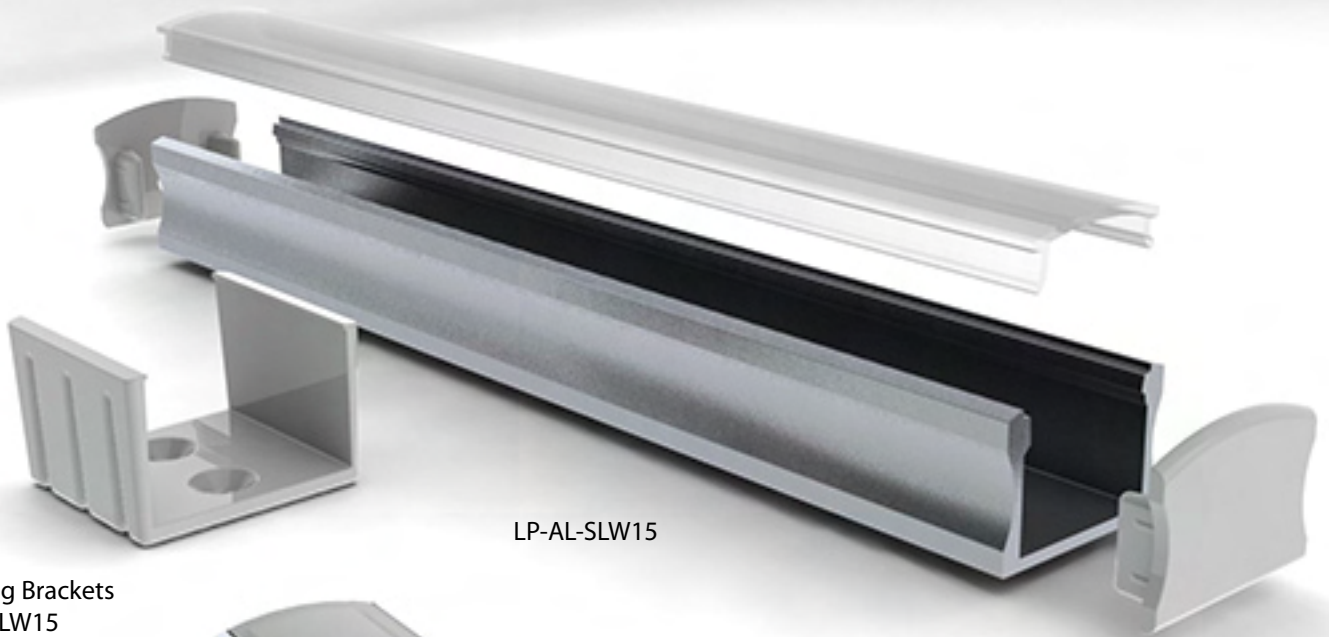


SLIM LINE WIDE 15mm

Anodized / Patented Design



NEW, STOCK



LP-AL-SLW15

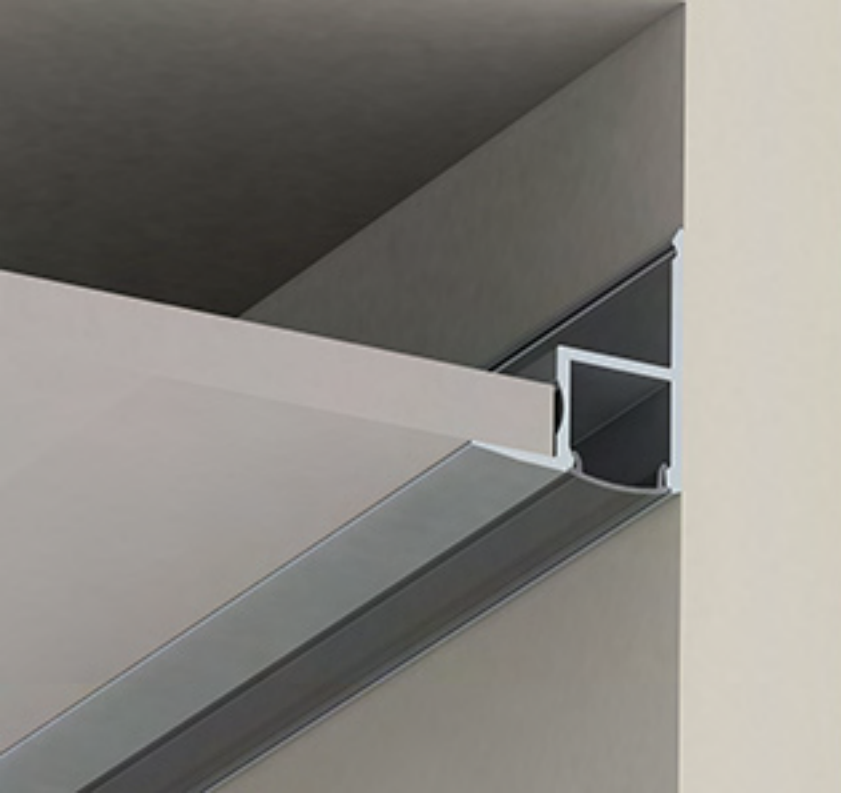
End Cap
LP-EC-SLW15

Mounting Brackets
LP-MC-SLW15

Slim Line Wide 15mm
with all accessories

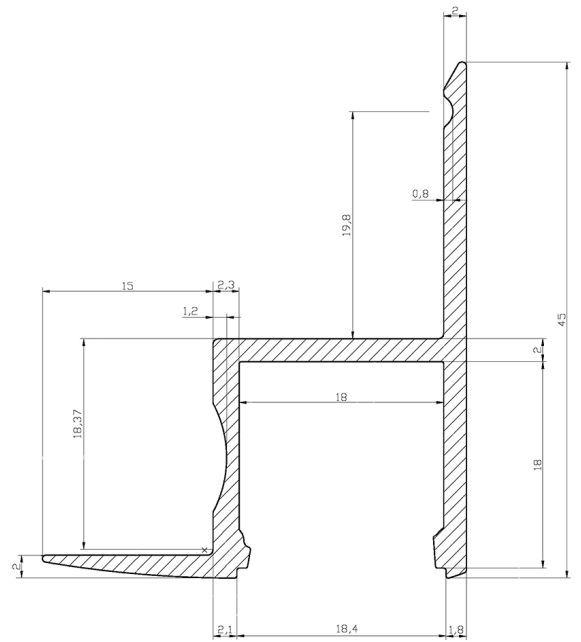


profiles
for the led lighting



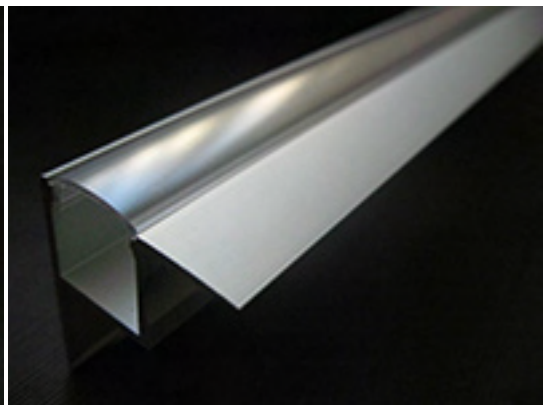
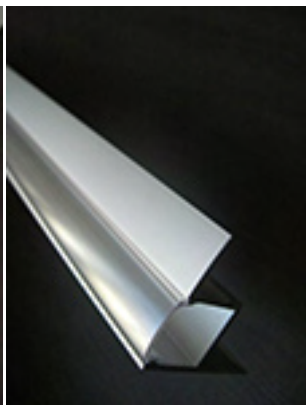
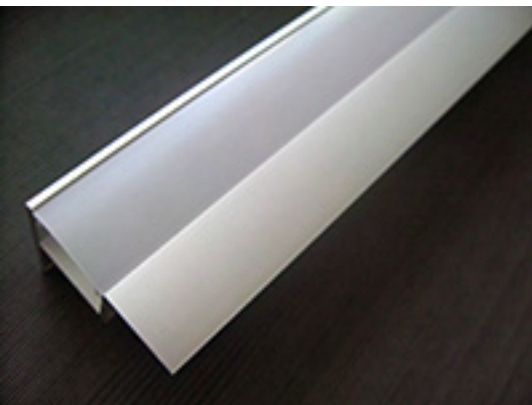
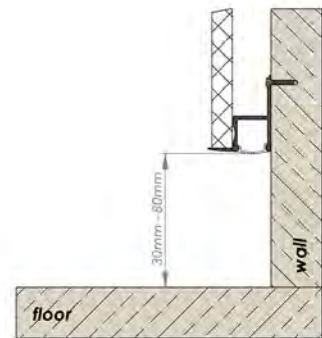
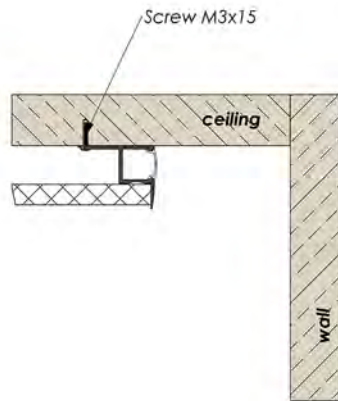
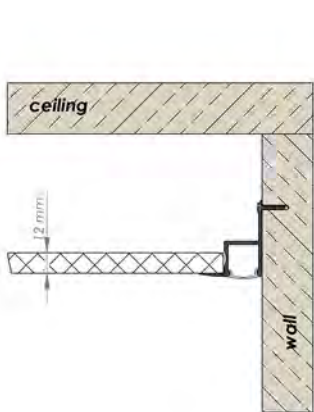
Alu-Ceiling

Anodized / Patented Design



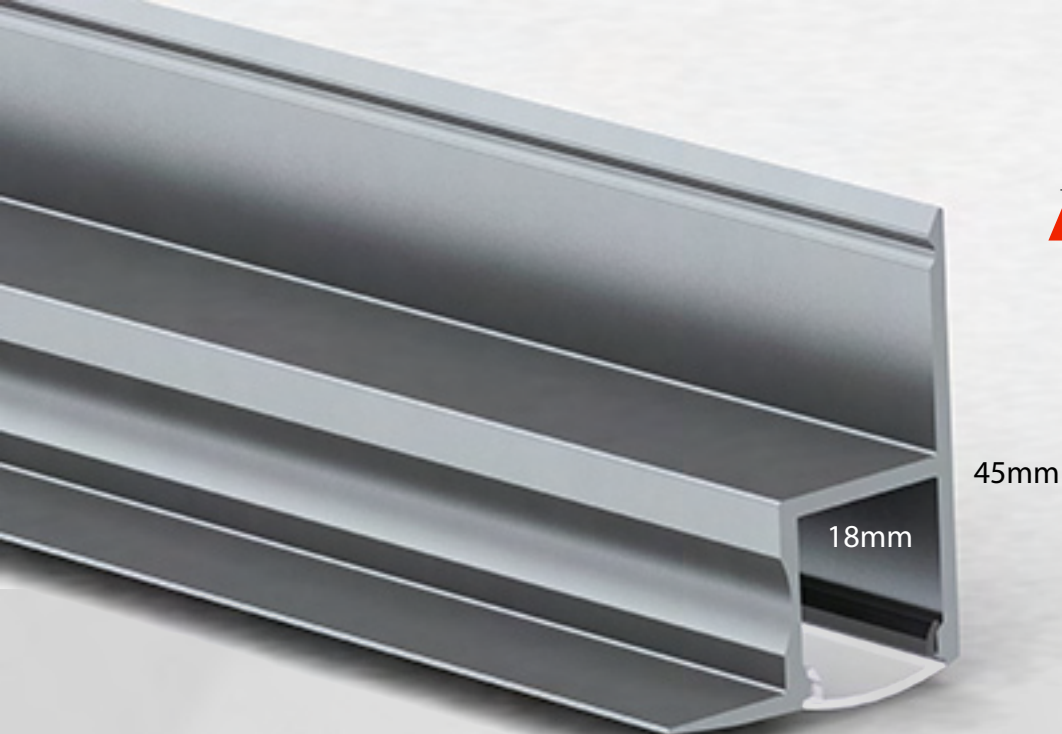
NEW

FIXING ALU-CEILING

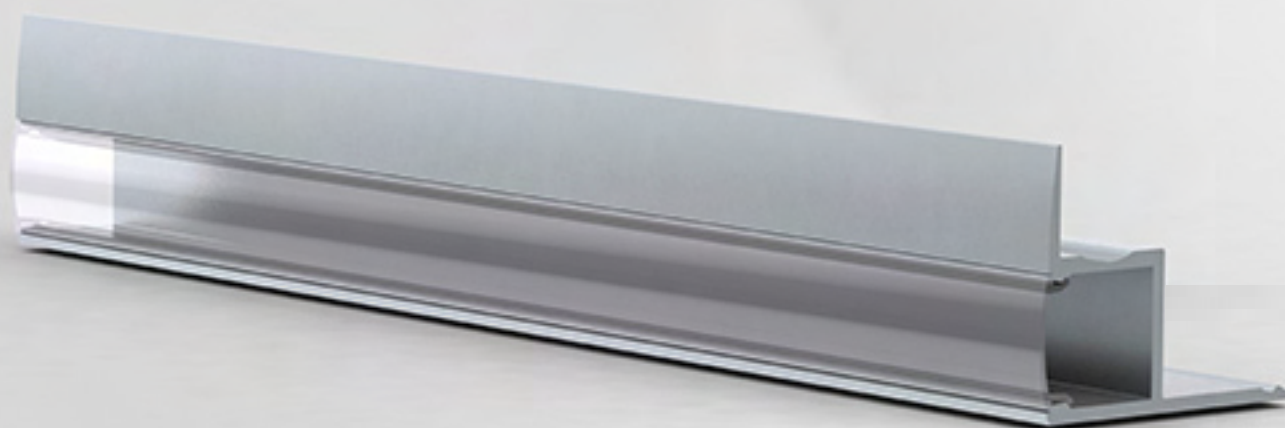


Alu-Ceiling

Anodized / Patented Design



NEW



Product features :

- LEDs dots free led profile
- Suitable for normal, IP67 or the double row LED stripes
- 18mm wide LED channel
- Heavy heat sink for the LEDs
- For indoor/outdoor (with IP67 leds) use
- PC, UVA resistant diffuser (clear/frosted)

Applications :

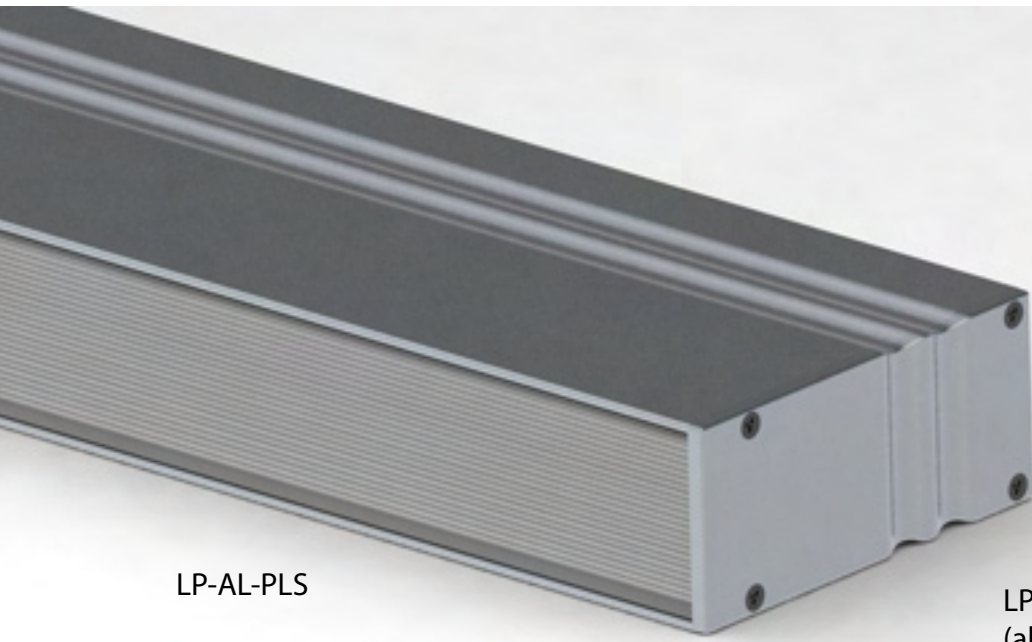
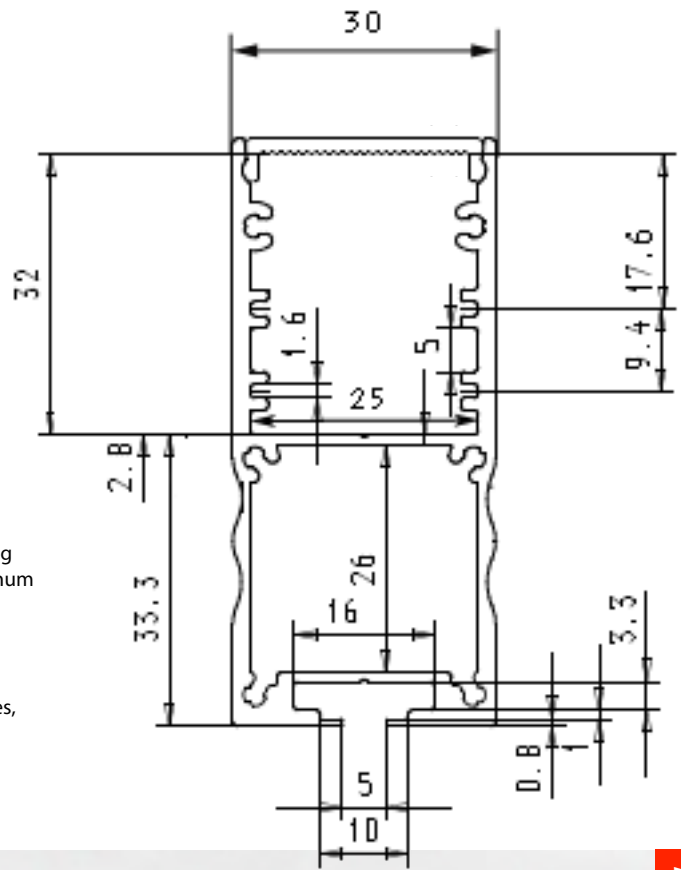
- Wall wash led lighting
- Floor LED lighting

profiles
for the led lighting

POWER LINE SLIM 30mm PLS 30mm

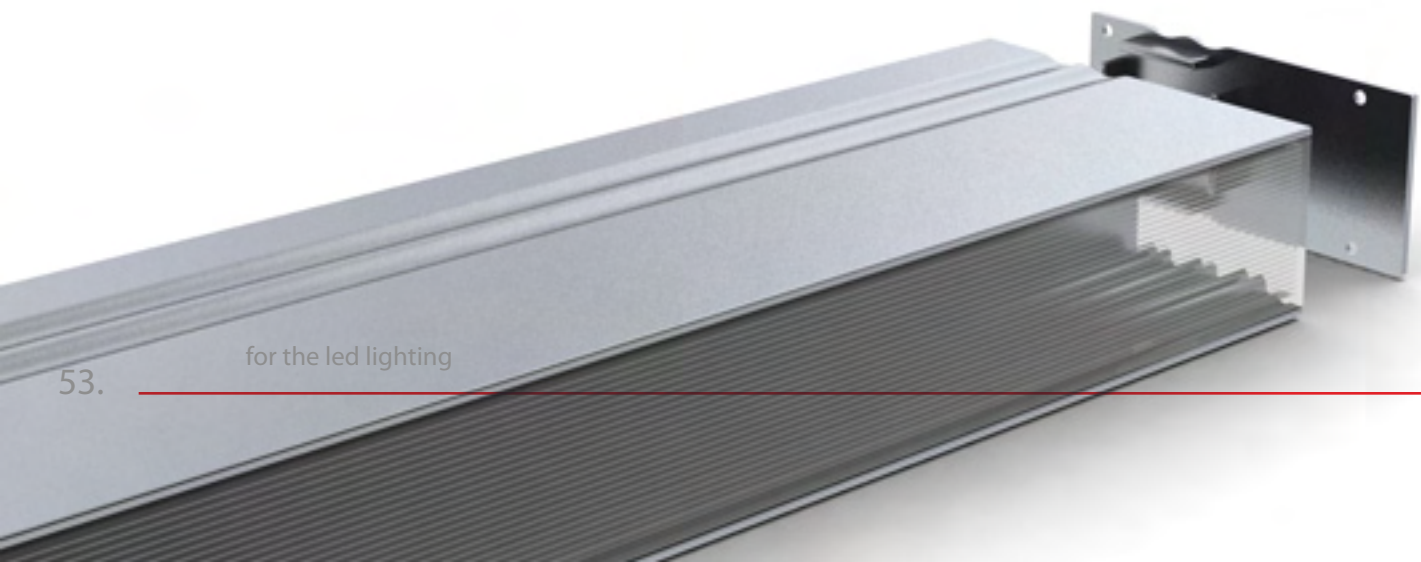
Power Line Slim 30mm (PLS 30)

This profile is dedicated to work as the LED lighting fixture for main lighting at the offices, restaurants, hotels, bars etc. It is made from anodized aluminum and is suitable for up to 25mm wide high power LED bars. Profile comes with polycarbonate UV resistant frosted or transparent diffuser placed and removed from the front on click. The light diffusion with the frosted diffuser is complete. PLS30 is giving soft light on the whole surface. Profile containing special chamber for led power supplier (option) or cables, is dedicated for the high power LED lighting up to 30W/m. It is available in length of 1m or 2m.

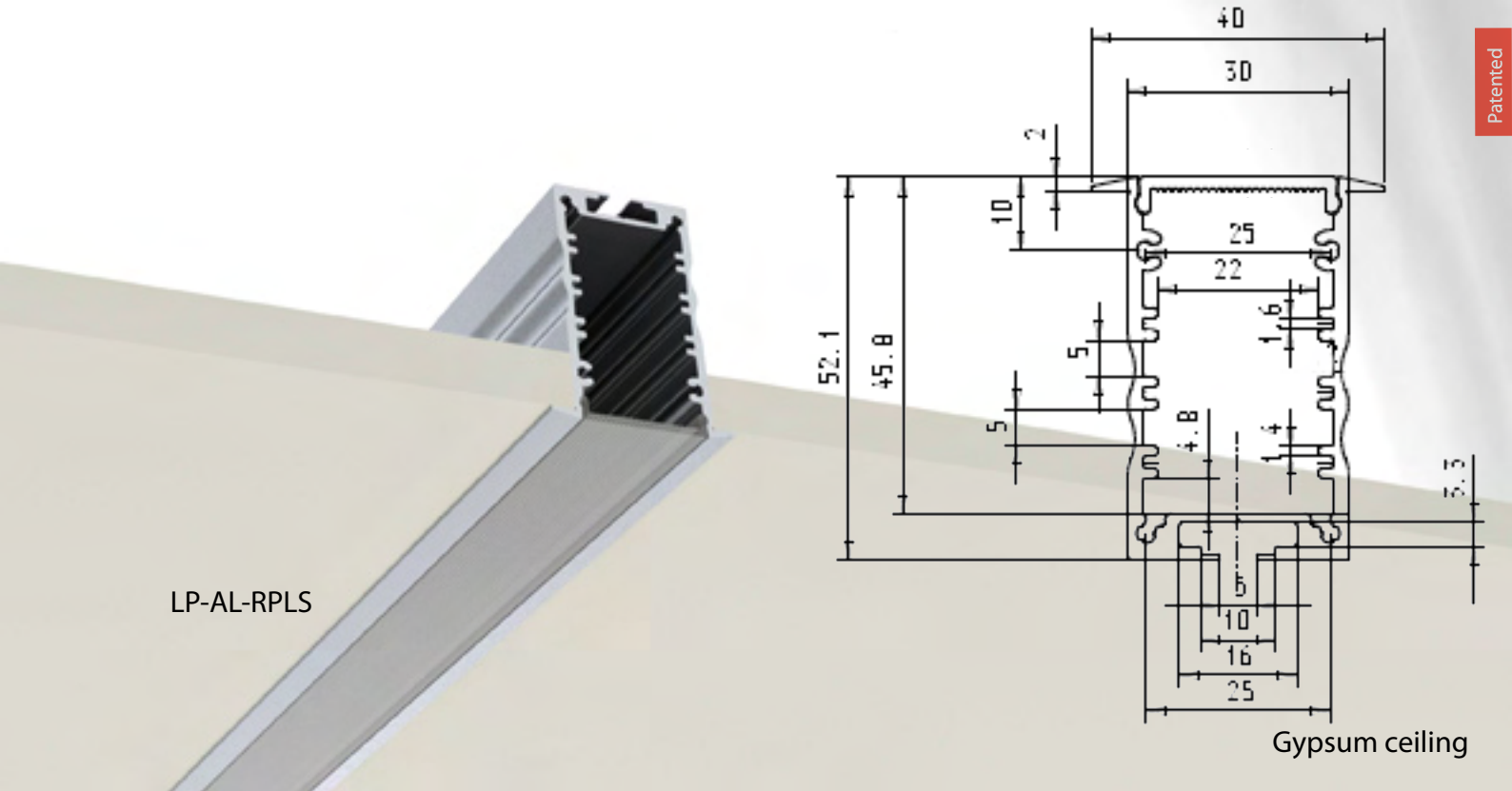


LP-AL-PLS

LP-EC-PLS
(aluminum end cap)



for the led lighting



LP-AL-RPLS

Gypsum ceiling

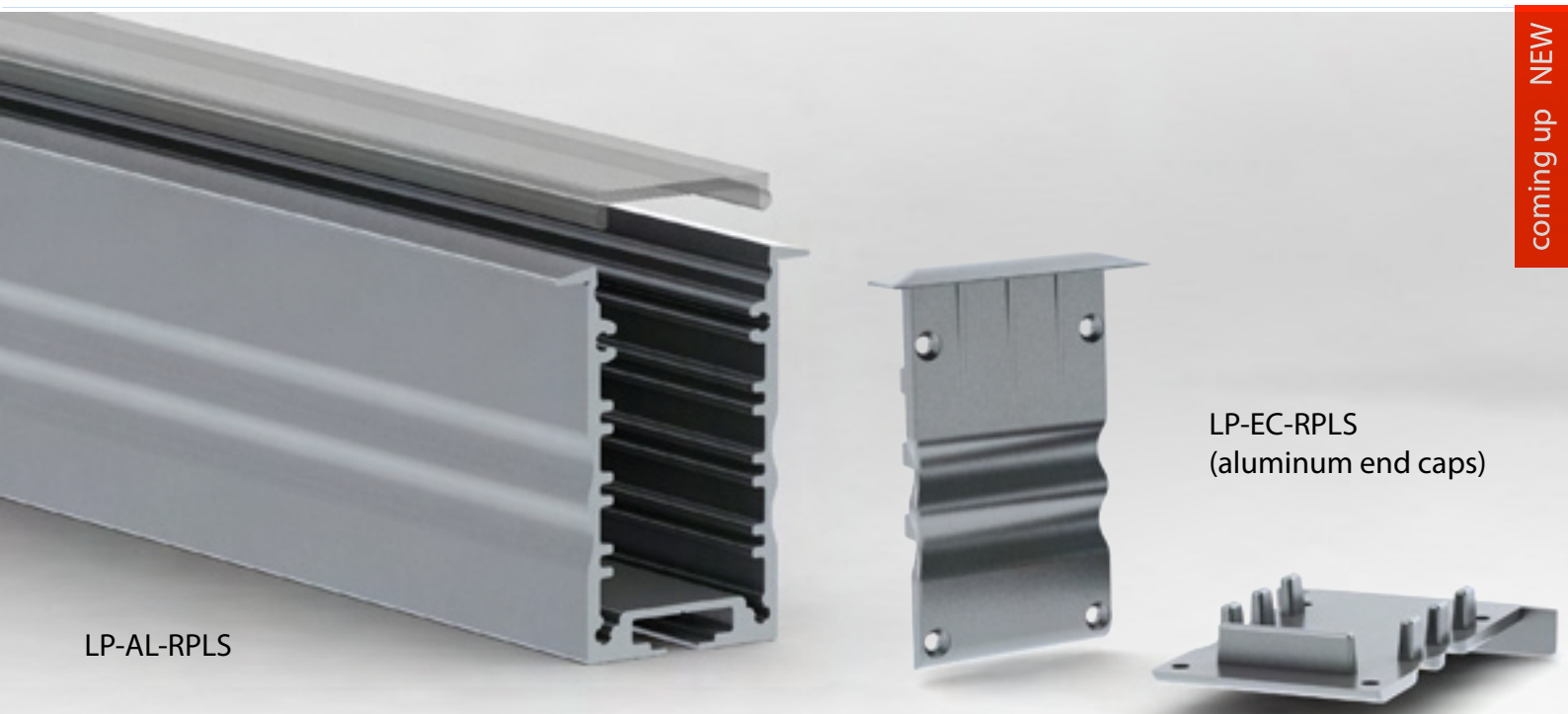
RECESSED POWER LINE SLIM 30mm

Application:

- Show rooms ceiling LED lighting
- Restaurants ceiling LED lighting
- Shopping malls LED lighting
- Hotels hallways ceiling LED lighting
- Apartments ceiling LED lighting

Features :

- High quality polycarbonate diffuser, UV resistant
- LED dots free design
- Right high, soft and smooth light diffusion
- Diffuser is placed/removed from the top on click
- High quality anodized aluminum base
- Heavy duty "heat sink" for high power LEDs
- Matching aluminum finish end caps
- Available in length of 2m/1m with clear or frosted diffuser



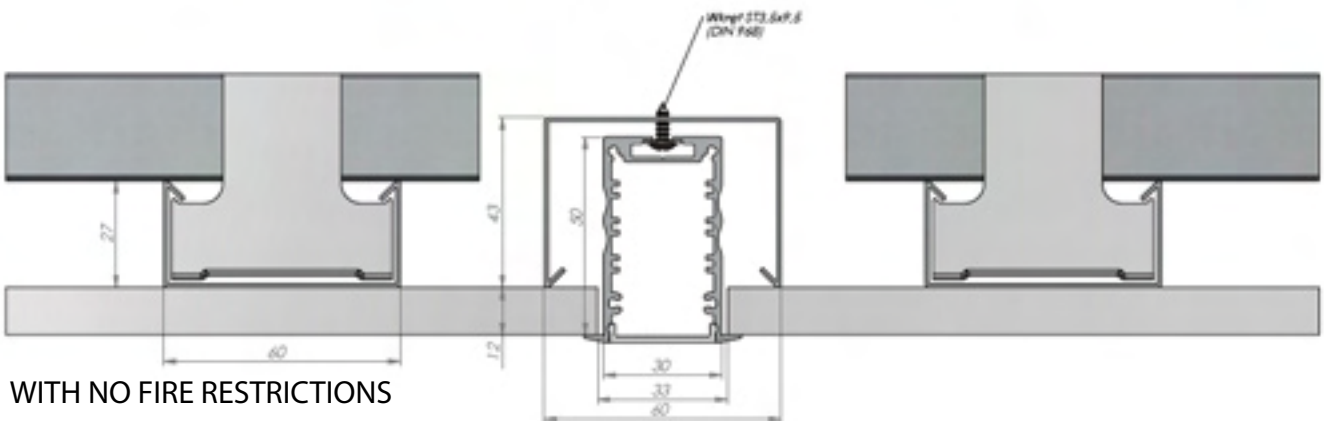
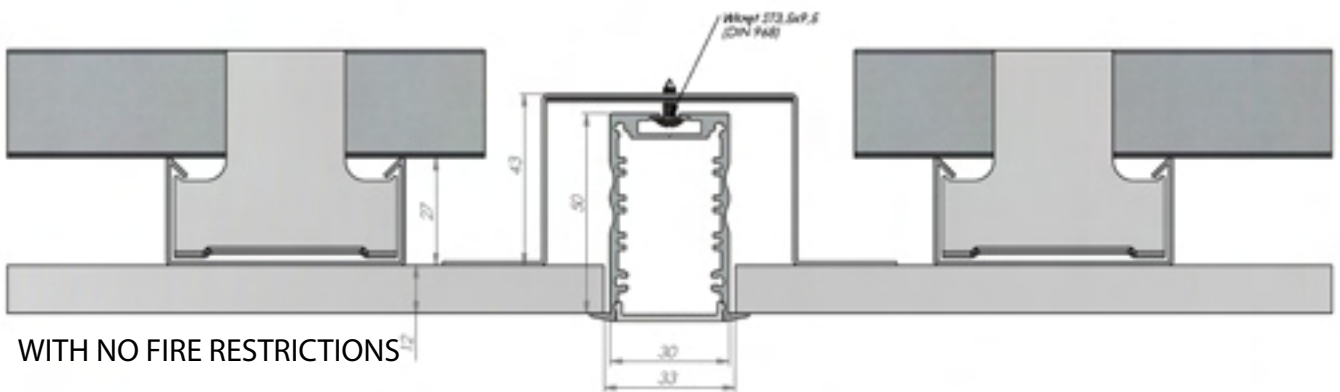
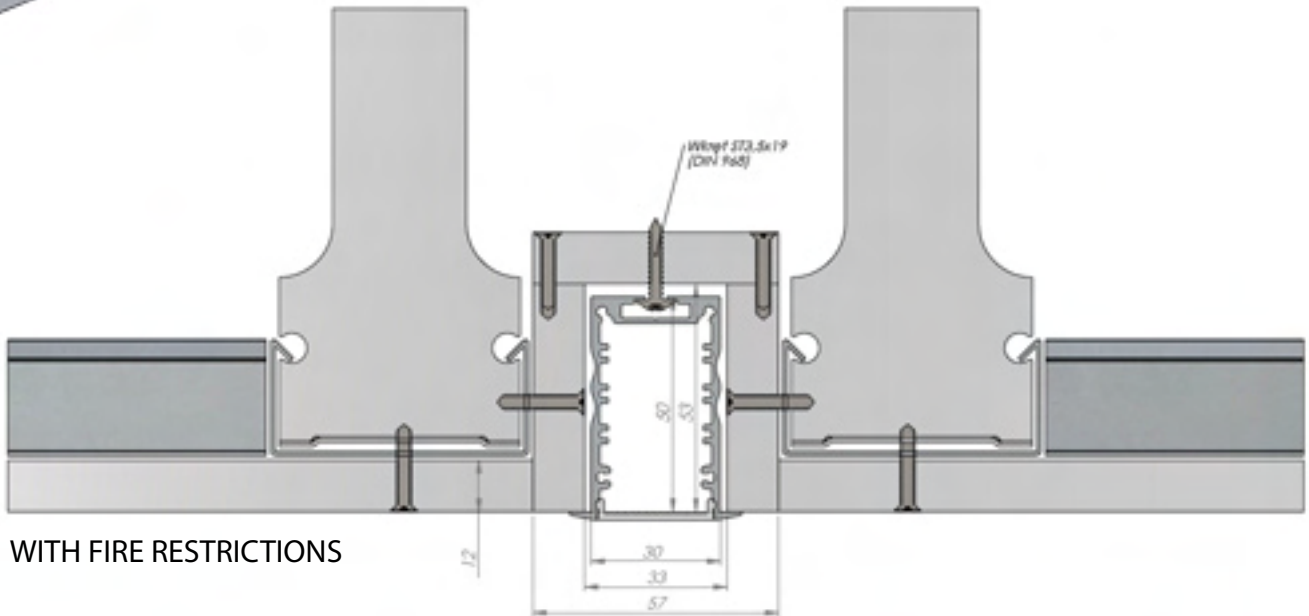
LP-AL-RPLS

LP-EC-RPLS
(aluminum end caps)



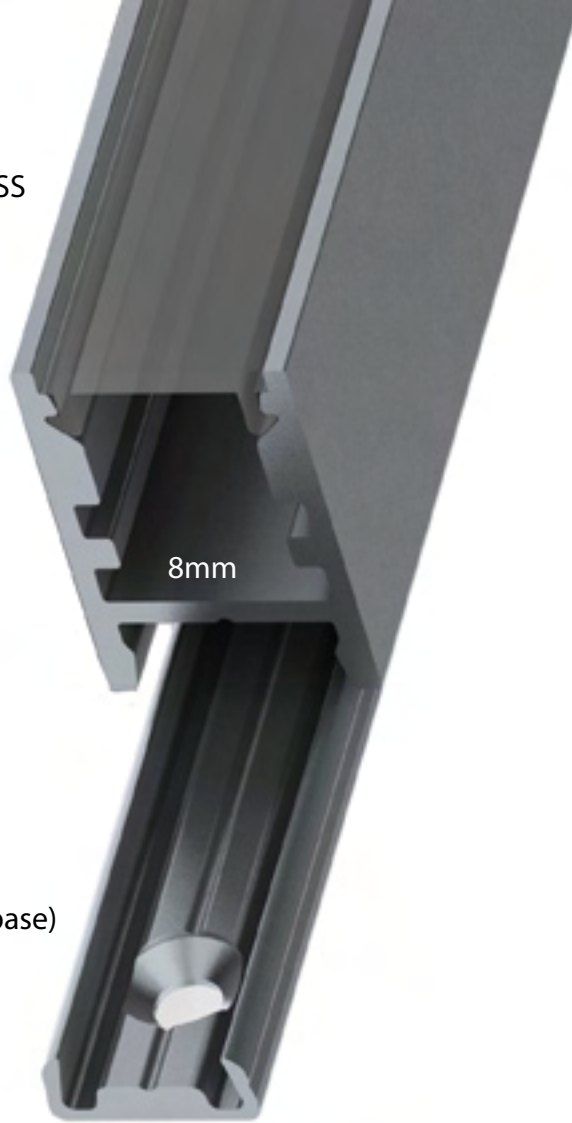
RECESSED POWER LINE SLIM 30mm

INSTALATION OPTIONS :

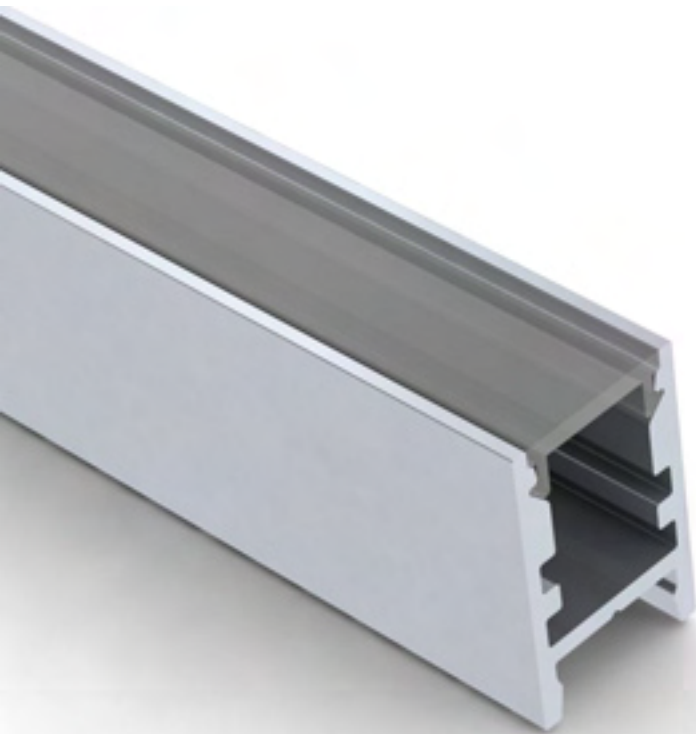


profiles
for the led lighting

LP-AL-SS

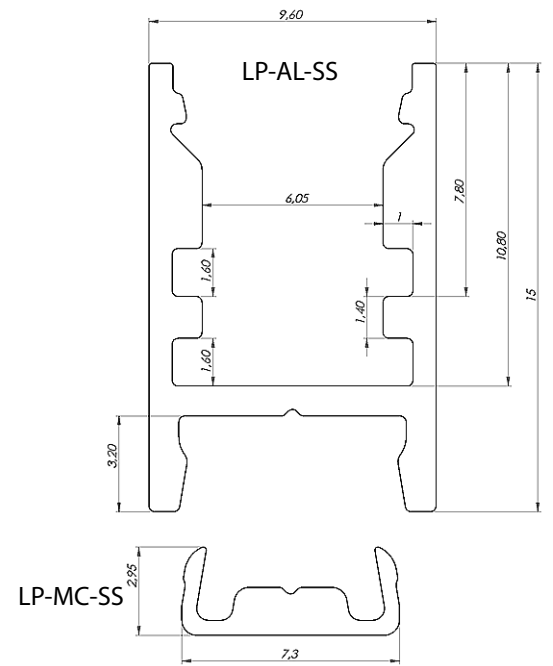


LP-MC-SS
(instalation base)



ALU-SWISS 15mm

for 6mm LED stripes



Patented

NEW

coming up



profiles
for the led lighting